

[54] BAG RESEALING CLAMP OR SIMILAR ARTICLE

[76] Inventors: Ira Price, 28199 Fairmount Blvd.; Anthony J. Gilberto, 30529 Summit La., both of, Pepper Pike, Ohio 44124

[**] Term: 14 Years

[21] Appl. No.: 260,404

[22] Filed: May 4, 1981

[52] U.S. Cl. D9/434; D9/443

[58] Field of Search 150/3, 4, 5, 6, 7; 229/62; D9/434, 435, 443; 24/30.5 R

[56] References Cited

U.S. PATENT DOCUMENTS

D. 223,700	5/1972	Kamins et al.	D9/434 X
D. 262,668	1/1982	Robitaille	D9/434 X
D. 264,689	6/1982	Miller	D9/434
2,622,986	12/1952	Snyder	99/171
3,266,711	8/1966	Song	D9/434 X
3,462,068	8/1969	Suominen	D9/434 X
3,621,539	11/1971	Ayers	24/30.5
3,818,553	6/1974	Parmenter	24/30.5

Primary Examiner—Robert C. Spangler
Attorney, Agent, or Firm—Maky, Renner, Otto & Boisselle

[57] CLAIM

The ornamental design for a bag resealing clamp or similar article, as shown and described.

DESCRIPTION

FIG. 1 is a perspective view of a bag resealing clamp or similar article showing our new design in an open position;

FIG. 2 is a top plan view thereof;

FIG. 3 is a bottom plan view thereof;

FIG. 4 is a side elevational view thereof;

FIG. 5 is an elevational view showing the side opposite that seen in FIG. 4;

FIG. 6 is an end elevational view looking in the direction of the arrows 6—6 of FIG. 4;

FIG. 7 is an end elevational view looking in the direction of the arrows 7—7 of FIG. 4;

FIG. 8 is a perspective view in a closed position; and

FIG. 9 is a sectional view taken on the line 9—9 of FIG. 8.

The broken lines showing a bag or a part of a bag in FIGS. 1, 8 and 9 are for the purpose of showing environmental use only.

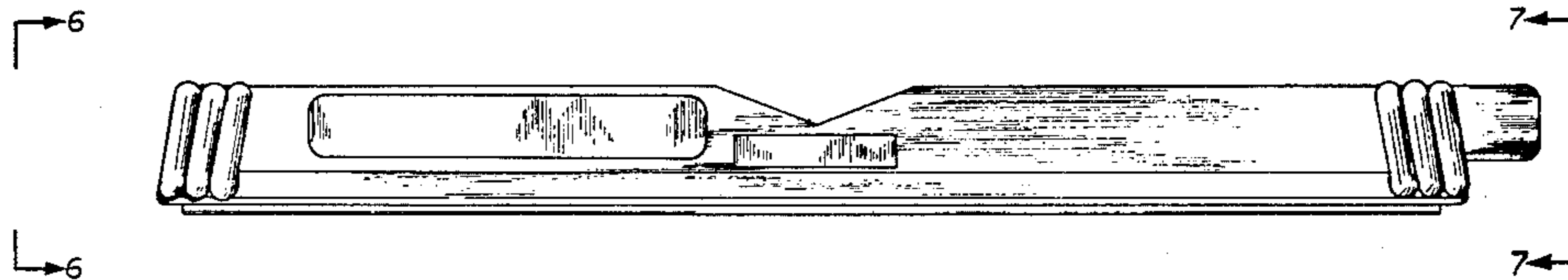
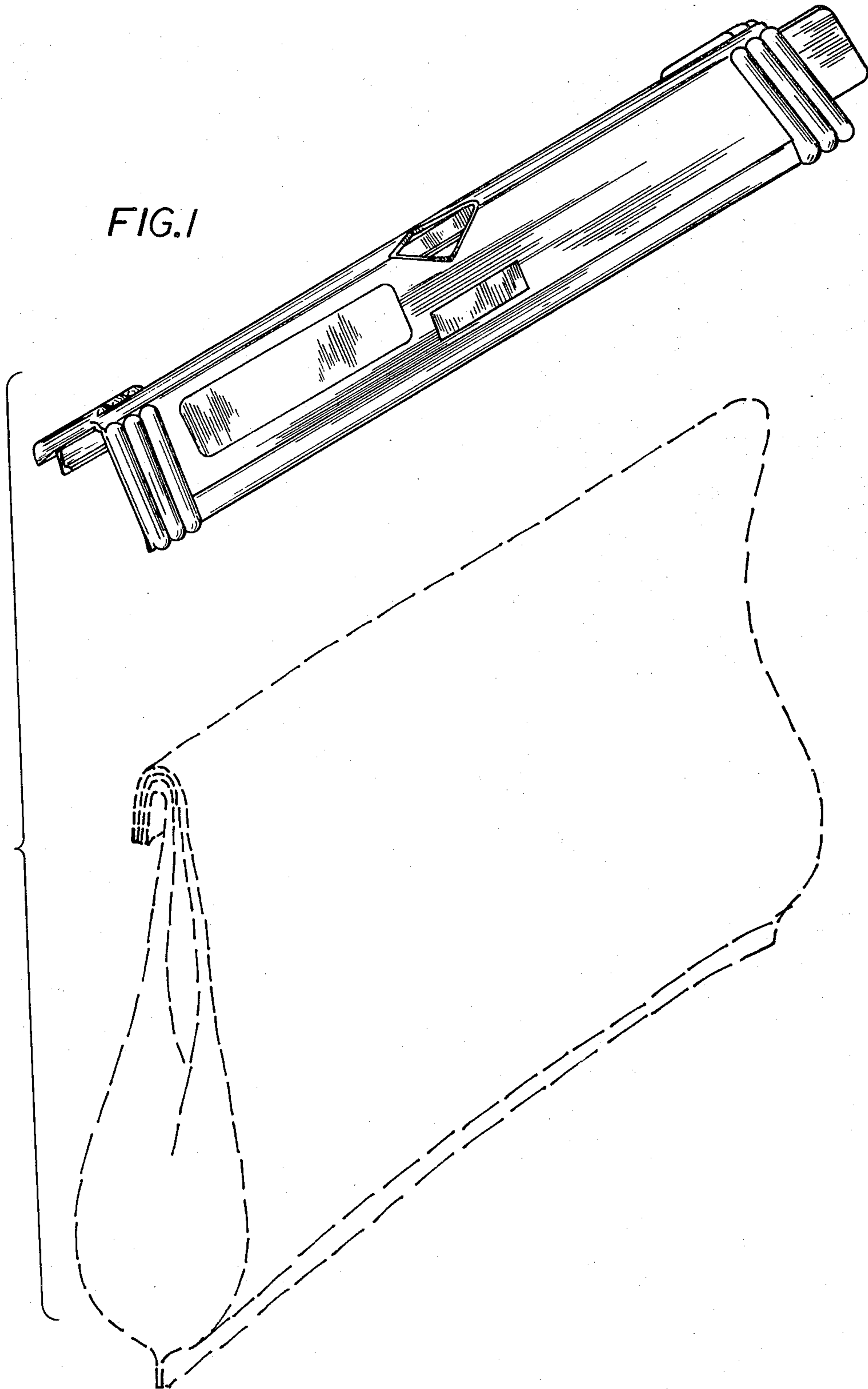


FIG. 1



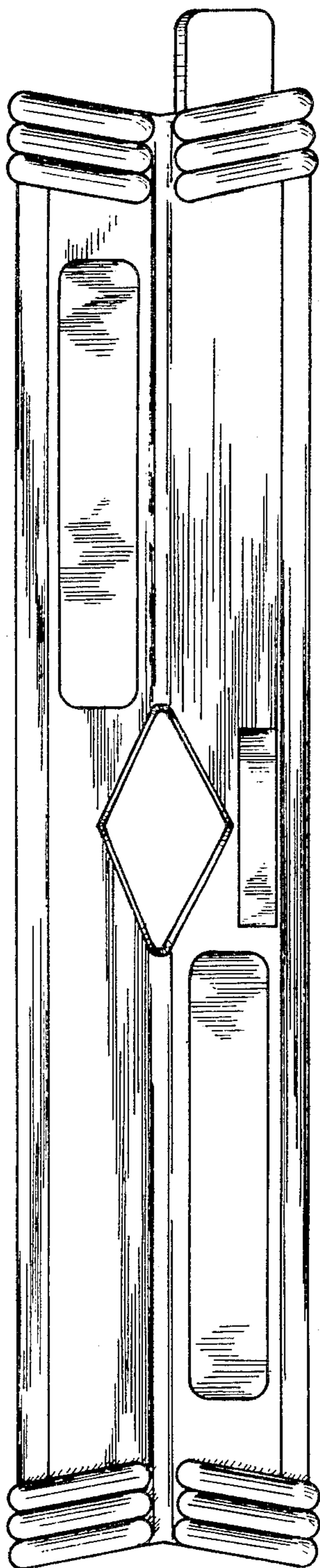


FIG. 2

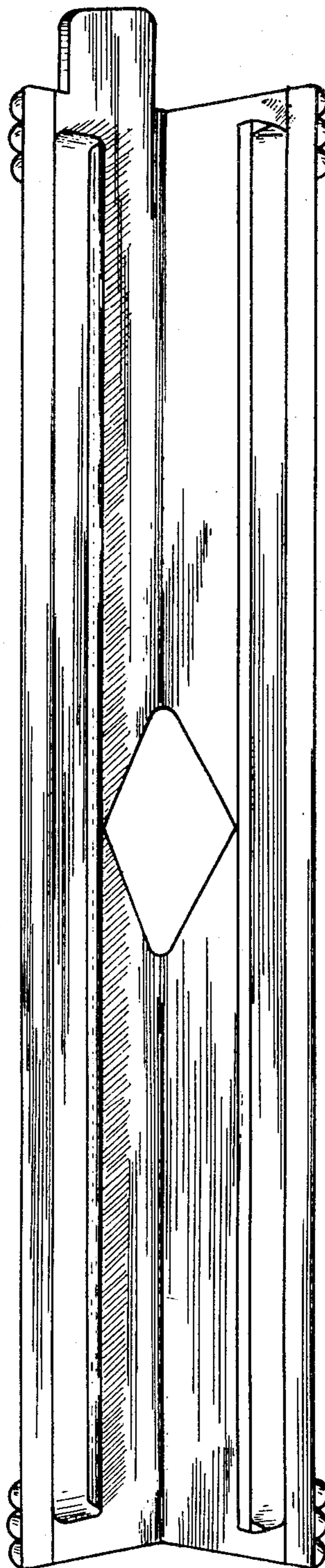
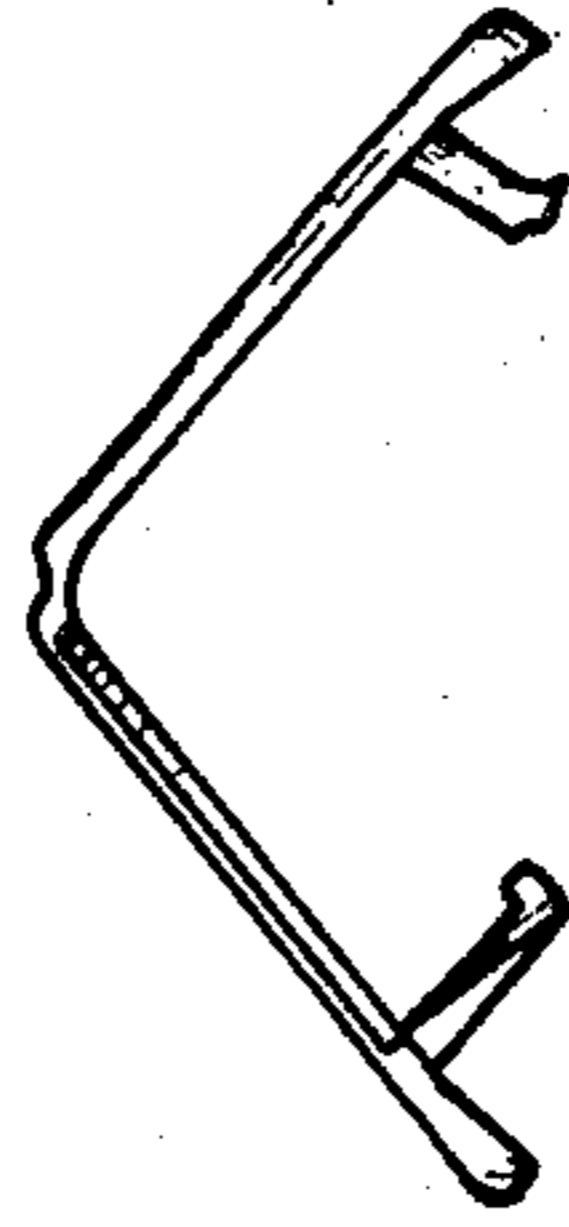
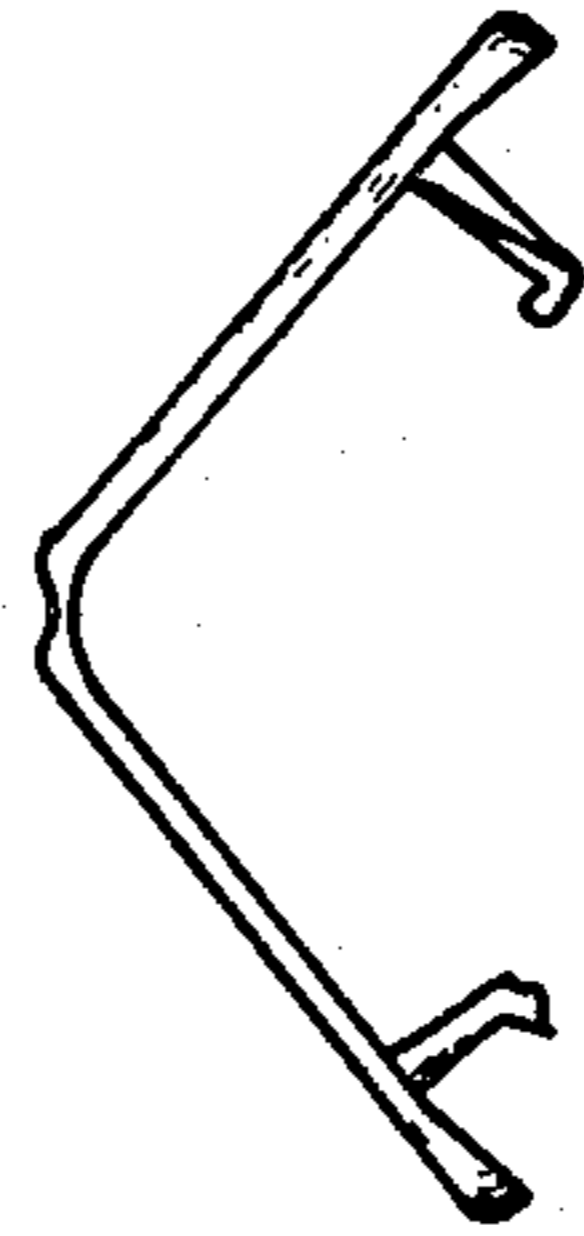
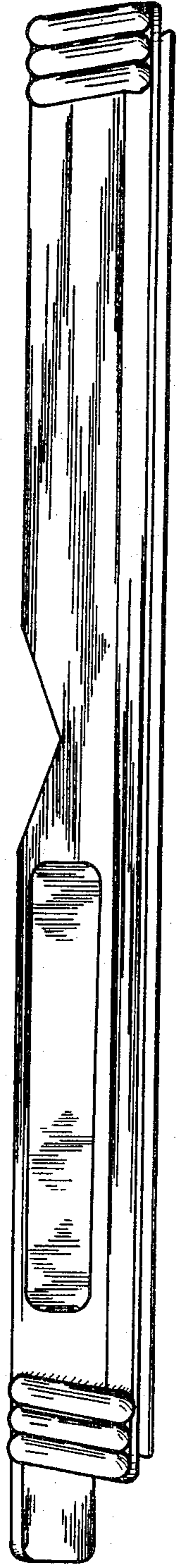
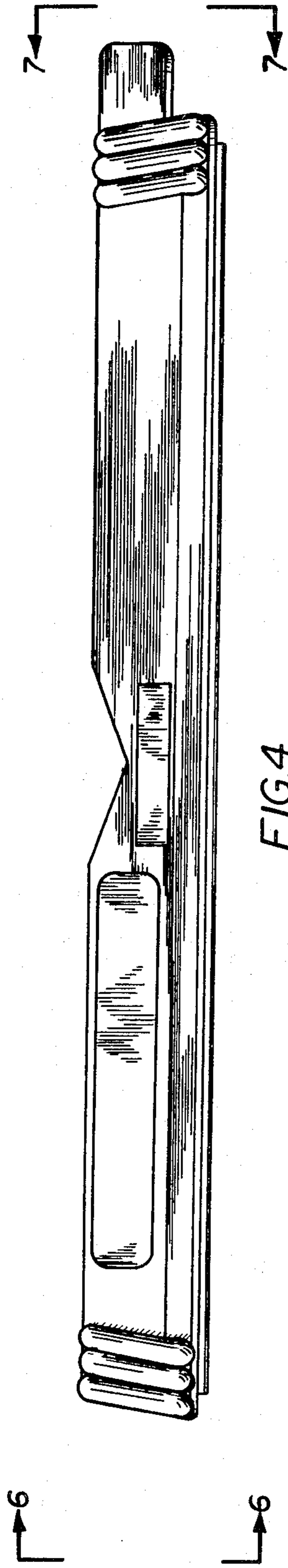


FIG. 3



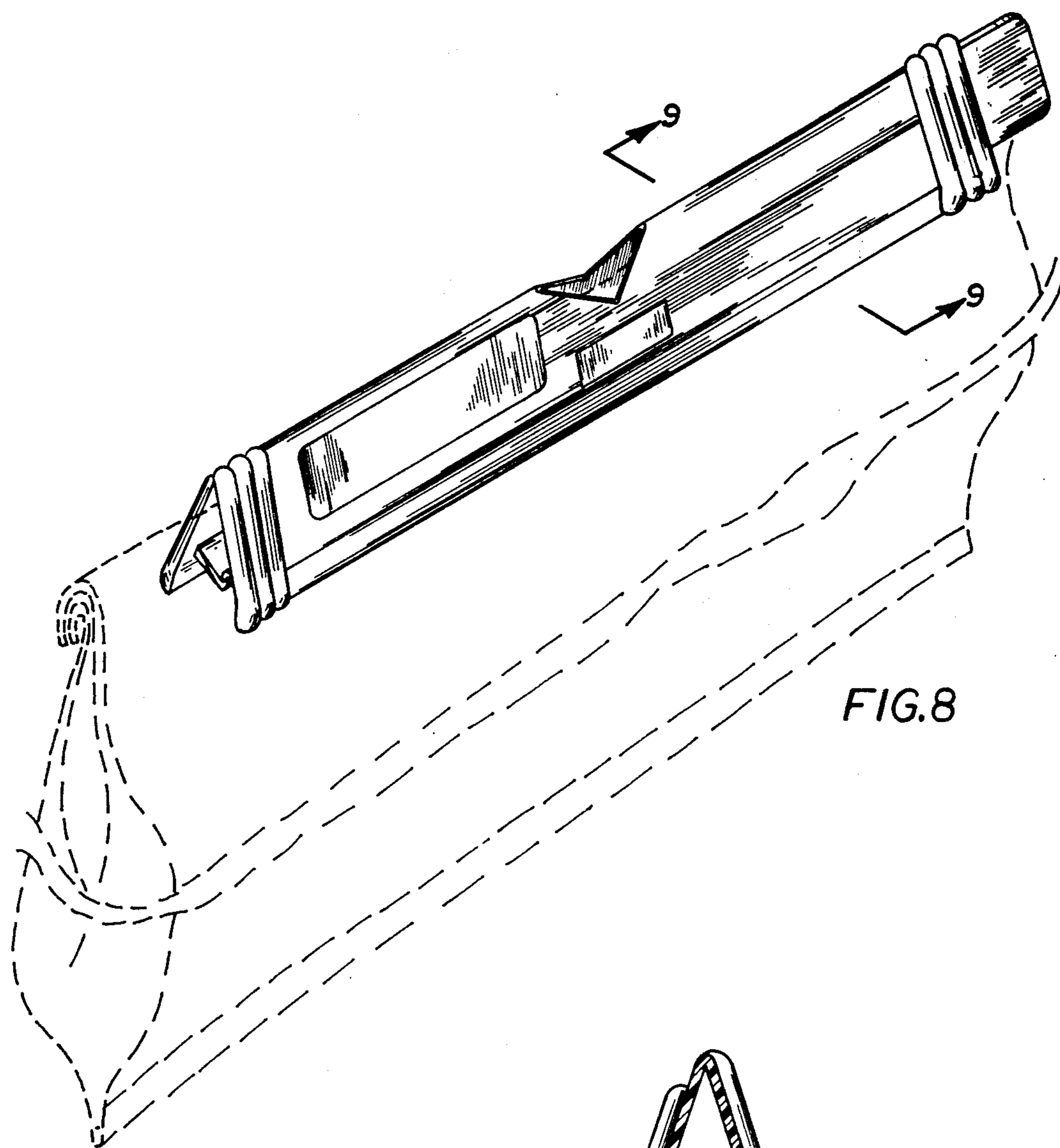


FIG. 8

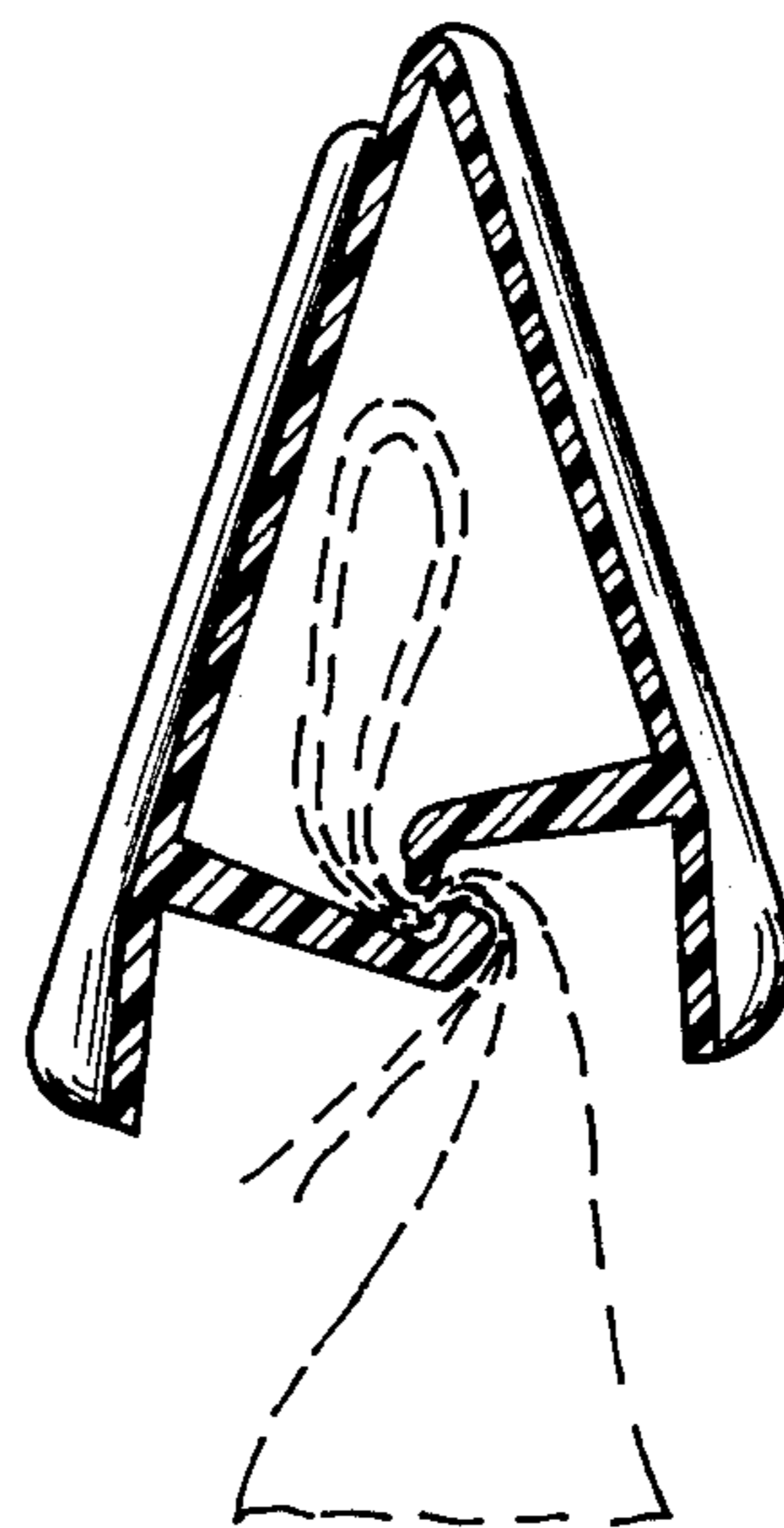


FIG. 9