

[54] CASSETTE BOX DISPLAY HOLDER

[75] Inventors: William A. Smyth, Fullerton; Graydon S. Carlson, Orange; Harold J. Wilde, Fullerton, all of Calif.

[73] Assignee: Certron Corporation, Anaheim, Calif.

[\*\*] Term: 14 Years

[21] Appl. No.: 346,090

[22] Filed: Feb. 5, 1982

[52] U.S. Cl. .... D9/415

[58] Field of Search ..... 206/495, 482, 461-465, 206/387; D9/415, 416, 418

[56] References Cited

U.S. PATENT DOCUMENTS

1,949,792	3/1934	Etherton .....	206/464
3,246,747	4/1966	Blish .....	206/462
3,896,933	7/1975	Bockemuhl .....	206/461

FOREIGN PATENT DOCUMENTS

2460858	3/1981	France .....	266/463
1541717	3/1979	United Kingdom .....	206/461

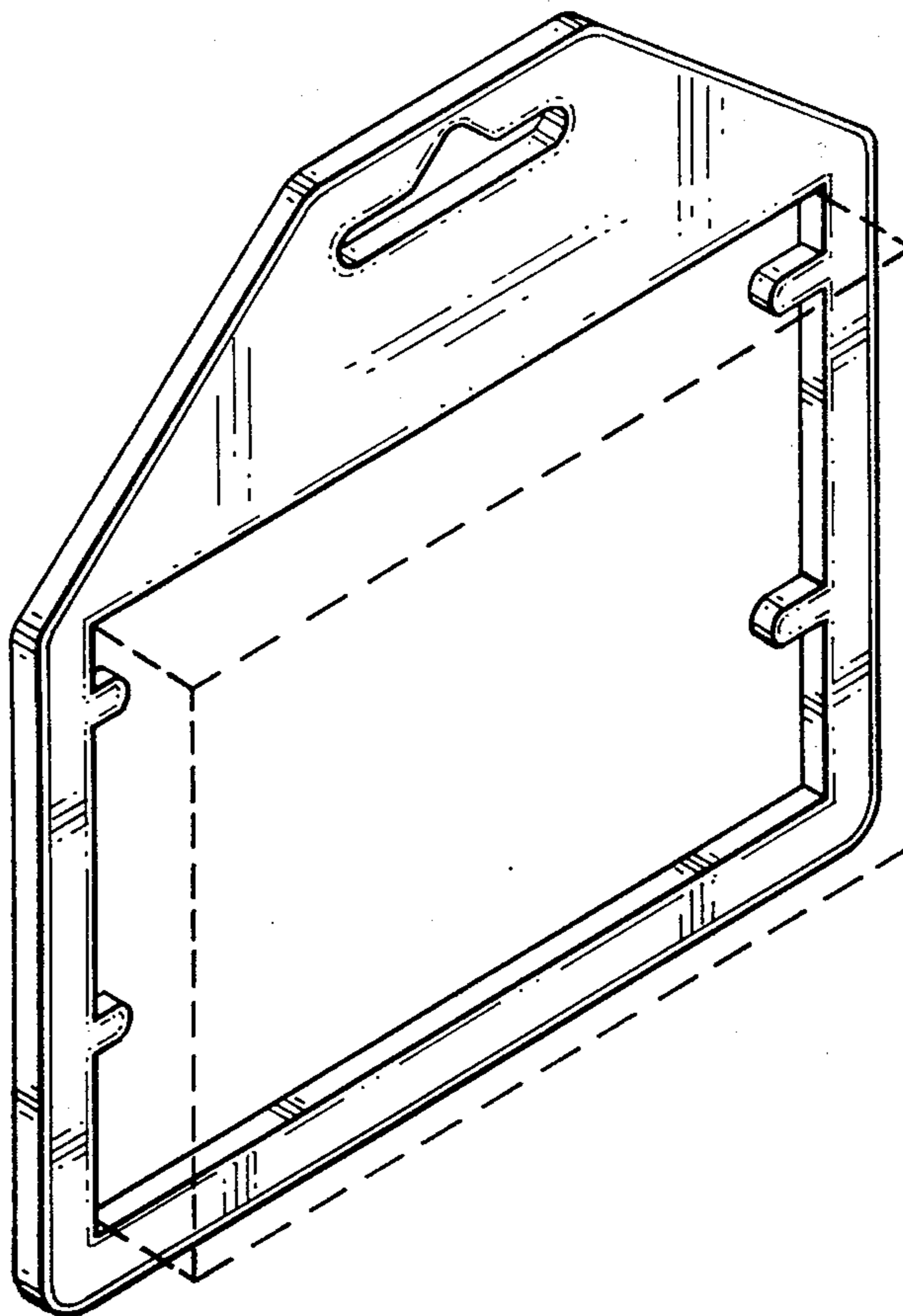
Primary Examiner—George P. Word  
Attorney, Agent, or Firm—Freilich, Hornbaker, Rosen & Fernandez

[57] CLAIM

The ornamental design for a cassette box display holder, substantially as shown and described.

DESCRIPTION

FIG. 1 is a front elevational view of a cassette box display holder showing our new design; FIG. 2 is a rear elevational view thereof; FIG. 3 is a top plan view thereof; FIG. 4 is a bottom plan view thereof; FIG. 5 is a side elevational view thereof; FIG. 6 is a perspective view thereof, the dashed lines being for illustrative purposes only; and FIG. 7 is a modified form of the cassette box display holder, the dashed lines being for illustrative purposes only.



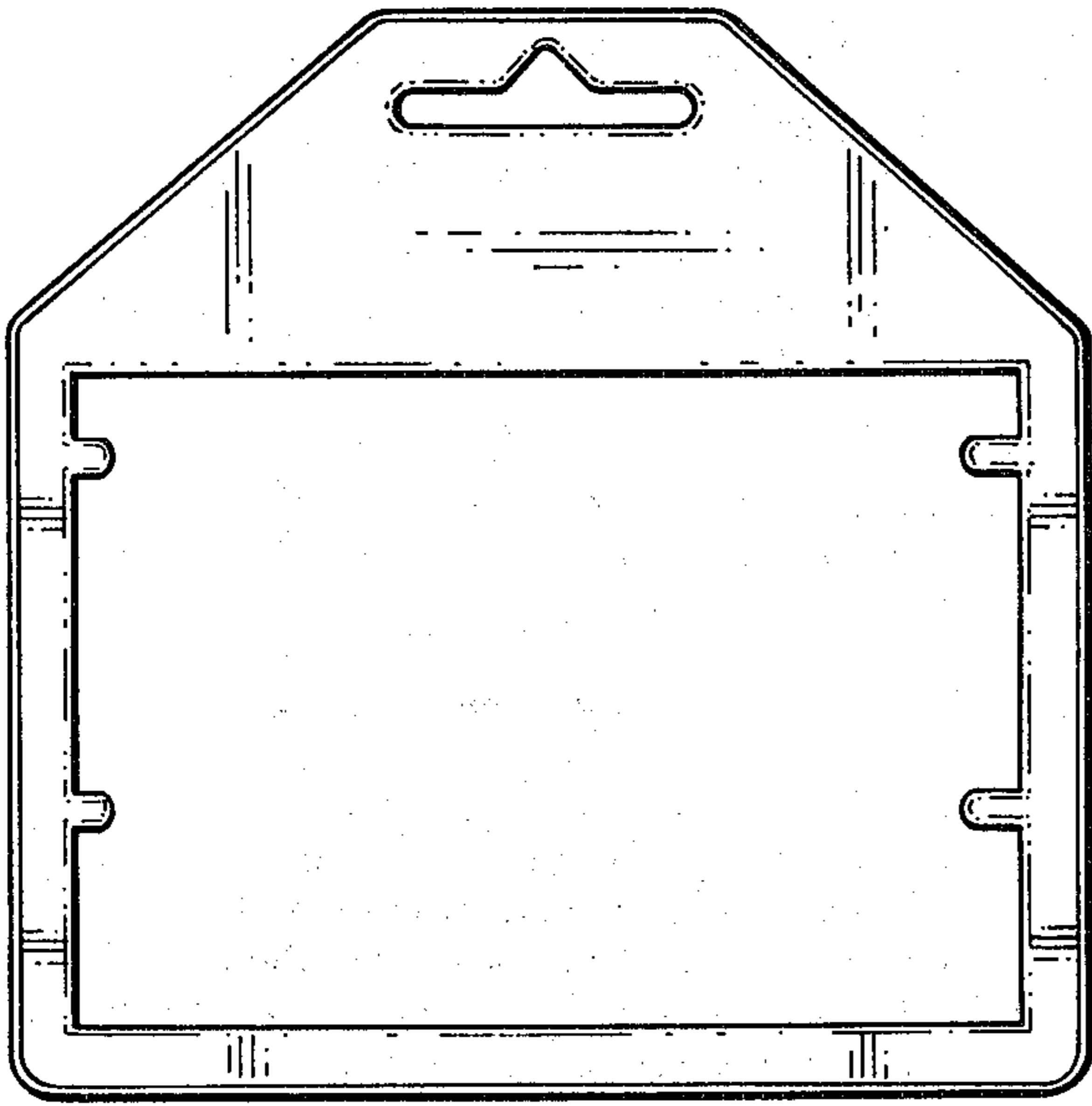


FIG. 1



FIG. 5

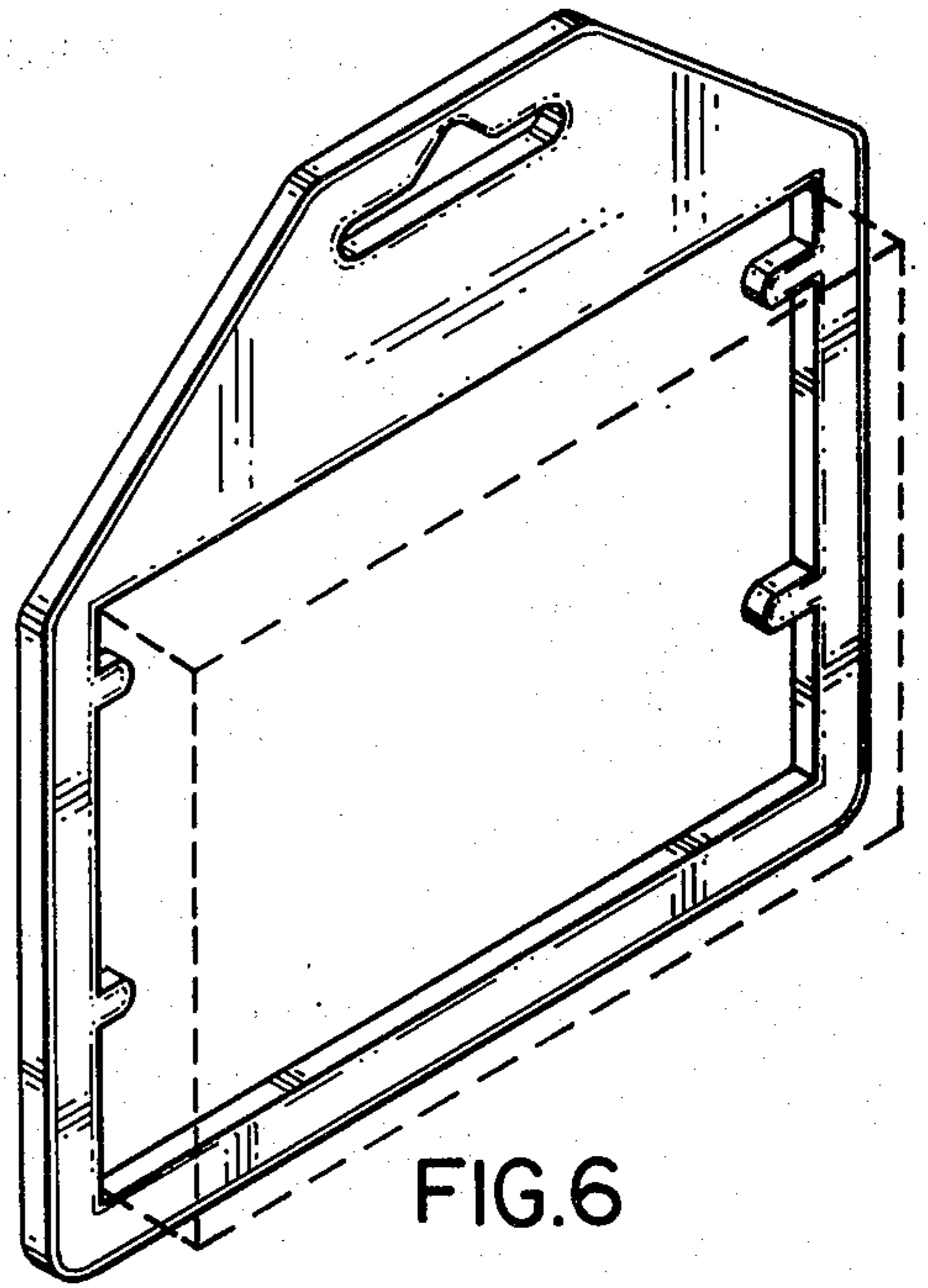


FIG. 6

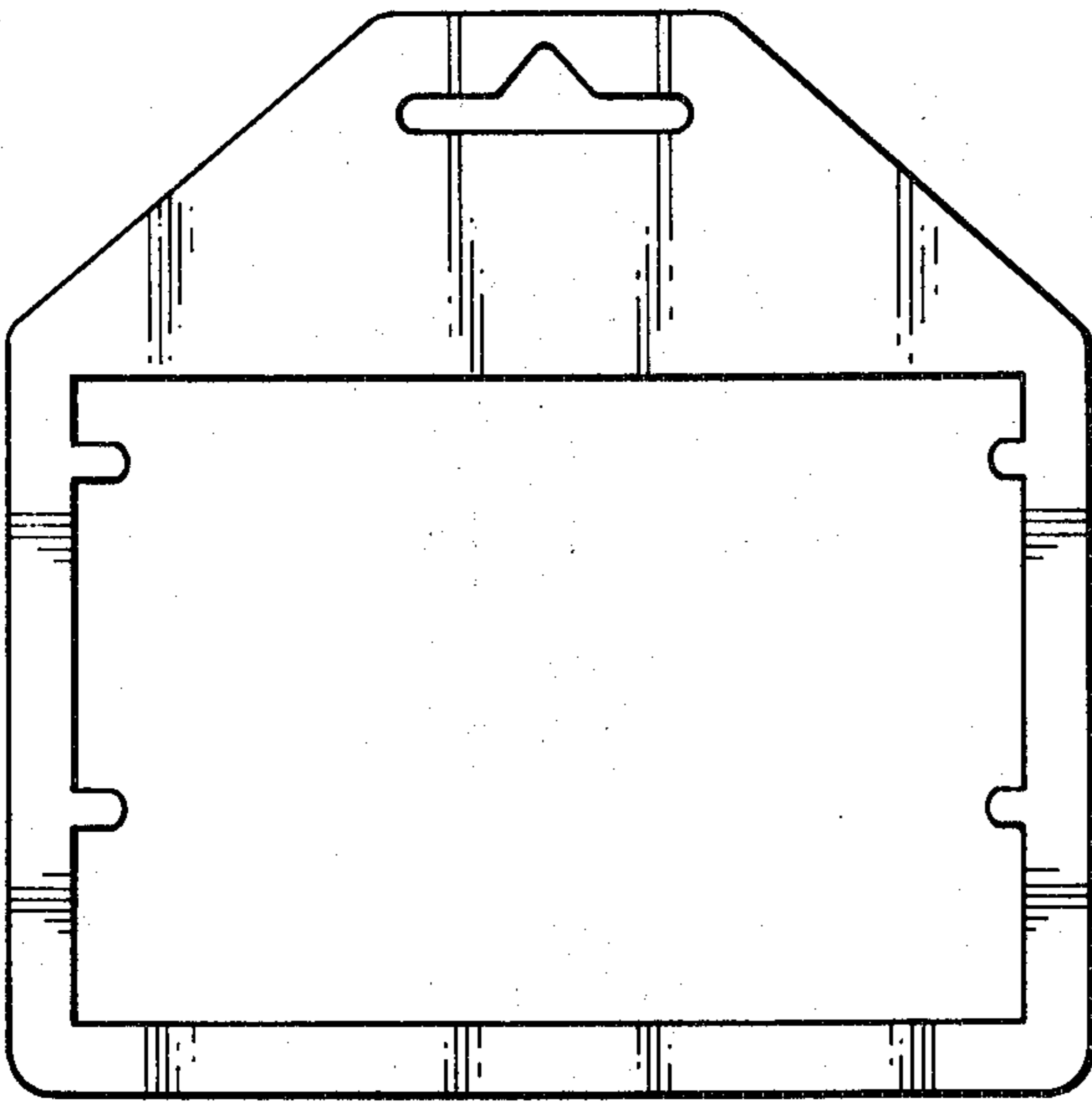


FIG. 2



FIG. 3

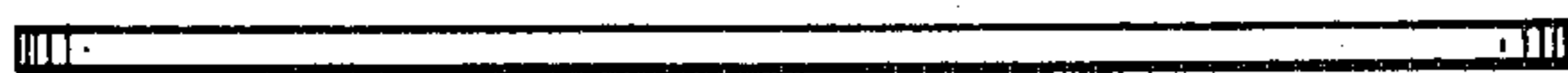


FIG. 4

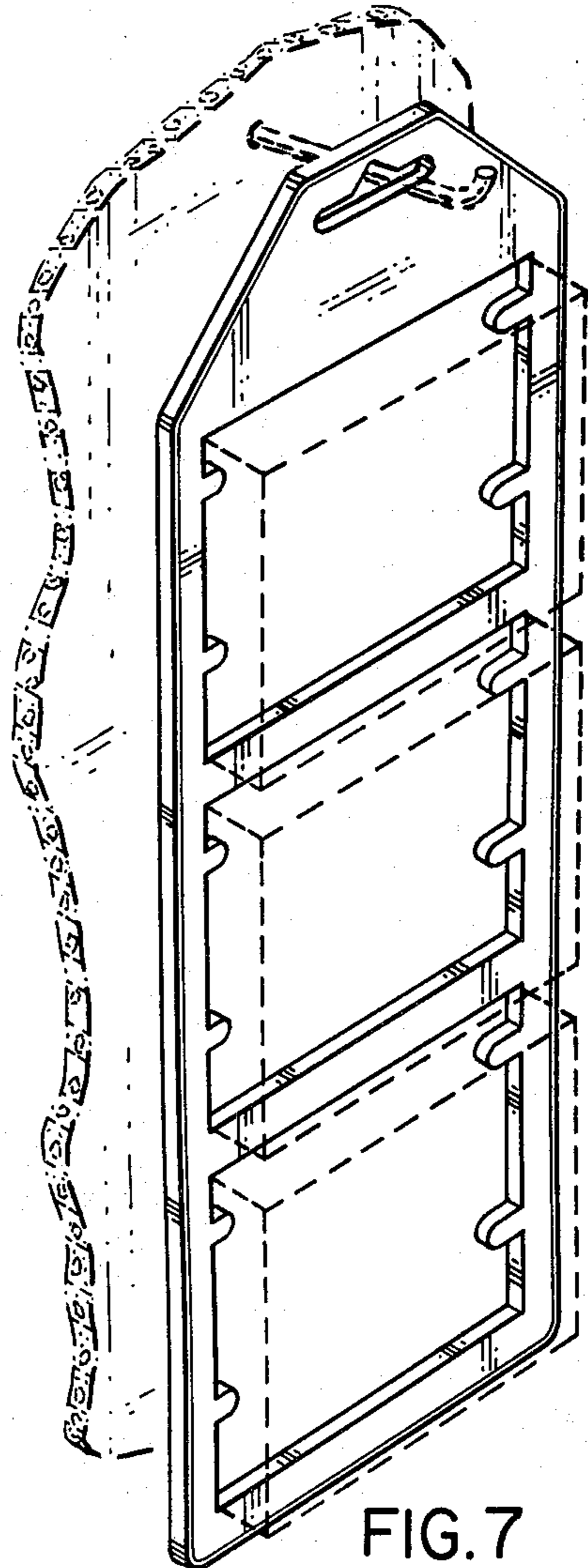


FIG. 7