

[54] **POLY-V PULLEY**

[75] **Inventor: Yukio Kanemitsu, Kobe, Japan**

[73] **Assignee: Goshi Kaisha Kanemitsu Doko  
 Yosetsu-Sho, Japan**

[\*] **Notice: The portion of the term of this patent  
 subsequent to Jan. 11, 1997 has been  
 disclaimed.**

[\*\*] **Term: 14 Years**

[21] **Appl. No.: 386,324**

[22] **Filed: Jun. 8, 1982**

[30] **Foreign Application Priority Data**

Dec. 16, 1981 [JP] Japan ..... 56-55940

[52] **U.S. Cl. .... D8/360**

[58] **Field of Search ..... D8/360; 72/105, 84,  
 72/82; 474/170, 168, 169; 29/159 R**

[56] **References Cited**

**U.S. PATENT DOCUMENTS**

D. 266,982	11/1982	Kanemitsu	.....	D8/360
D. 266,983	11/1982	Kanemitsu	.....	D8/360
D. 266,984	11/1982	Kanemitsu	.....	D8/360
D. 267,472	1/1983	Kanemitsu	.....	D8/360
D. 267,540	1/1983	Kanemitsu	.....	D8/360
D. 267,541	1/1983	Kanemitsu	.....	D8/360
D. 268,092	3/1983	Kanemitsu	.....	D8/360
2,471,906	5/1949	Smith	.....	474/170
2,787,914	4/1957	Nelson	.....	474/168
3,368,376	2/1968	Previte	.....	72/82

3,457,751	7/1969	Lindeman	.....	72/105
3,722,309	3/1973	Shaffer	.....	474/169
3,772,928	11/1973	Gobeille	.....	474/170
3,838,485	10/1974	Oldford	.....	474/170
3,945,102	3/1976	Kotlar	.....	29/159 R
3,953,995	5/1976	Haswell et al.	.....	72/84
3,962,926	6/1976	Kotlar	.....	474/168
3,977,264	8/1976	Sproul	.....	74/230.8
3,994,181	11/1976	Sproul	.....	474/170
4,050,321	9/1977	Kraft	.....	74/230.8
4,080,704	3/1978	Blakesley	.....	29/159 R
4,313,323	2/1982	Kanemitsu	.....	29/159 R

**FOREIGN PATENT DOCUMENTS**

2822056	11/1979	Fed. Rep. of Germany	.....	474/170
508176	1/1955	Italy	.....	474/170

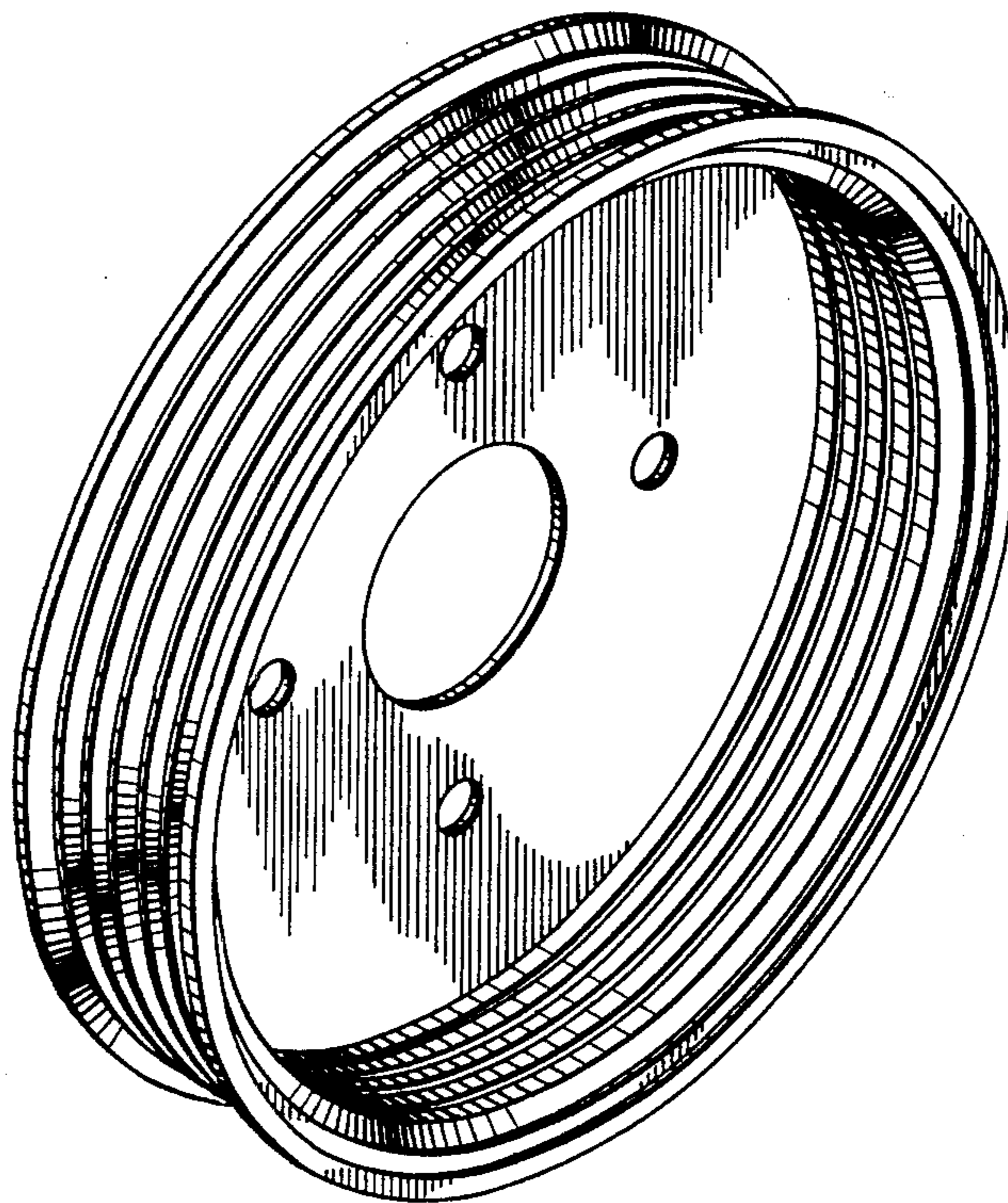
*Primary Examiner*—Wallace R. Burke  
*Assistant Examiner*—Horace B. Fay  
*Attorney, Agent, or Firm*—Steele, Gould & Fried

[57] **CLAIM**

The ornamental design for a poly-V pulley, as shown or described.

**DESCRIPTION**

FIG. 1 is a perspective view, from the side and bottom, of a poly-V pulley according to my new design;  
 FIG. 2 is a bottom plan view thereof;  
 FIG. 3 is a side elevation thereof, being the same from all directions;  
 FIG. 4 is a top plan view thereof; and,  
 FIG. 5 is a section view taken along the line 5—5 in FIG. 2.



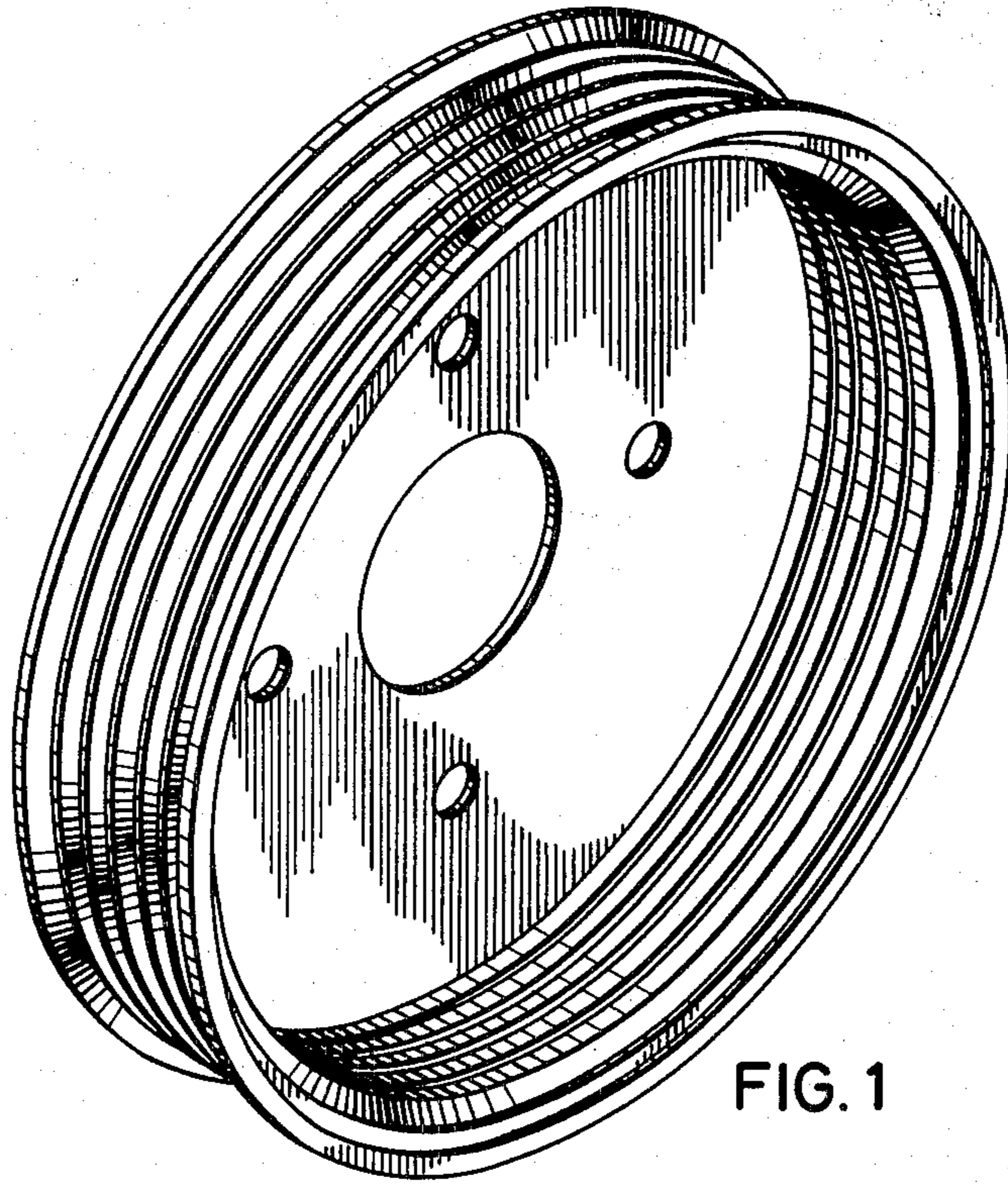


FIG. 1

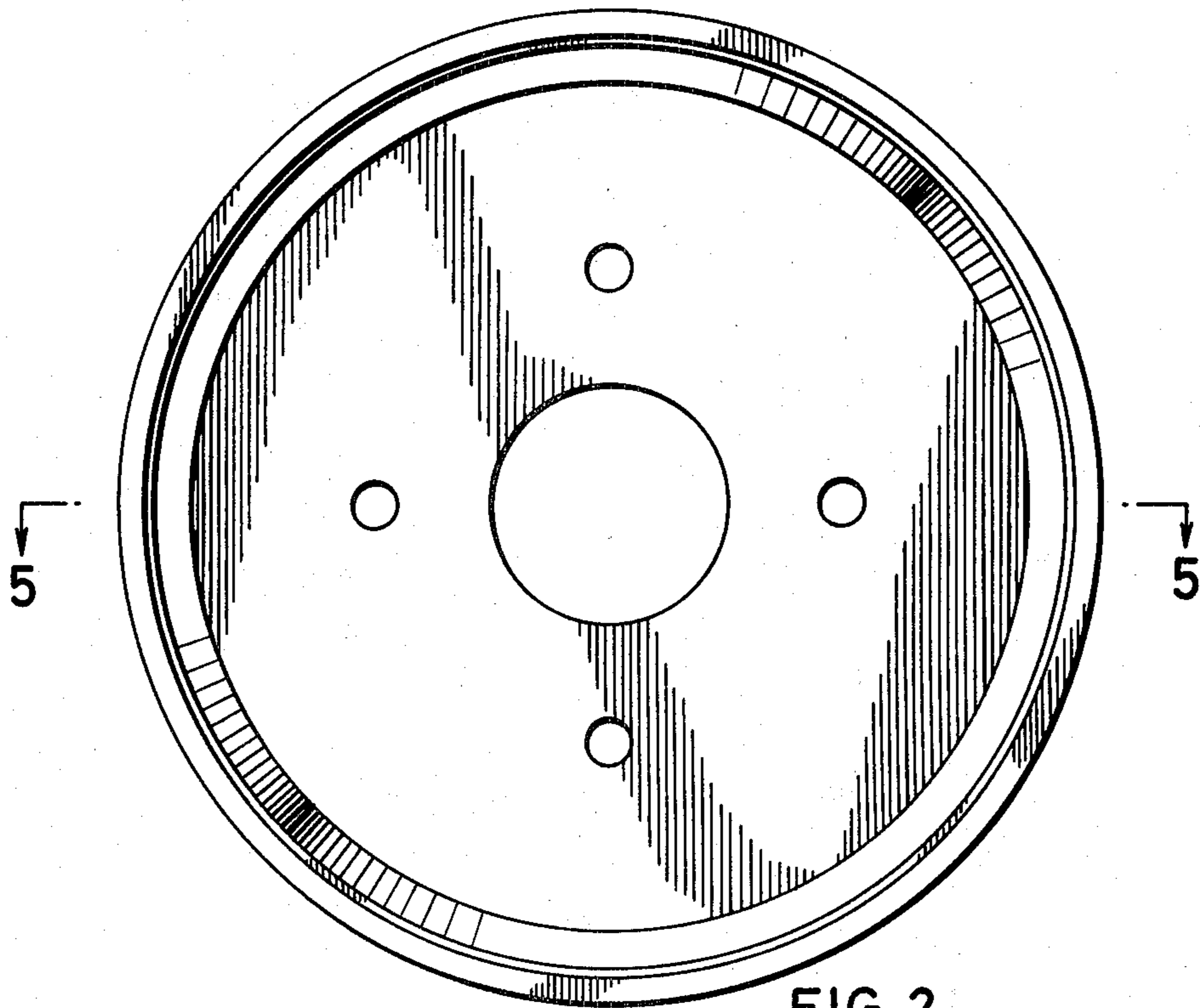


FIG. 2

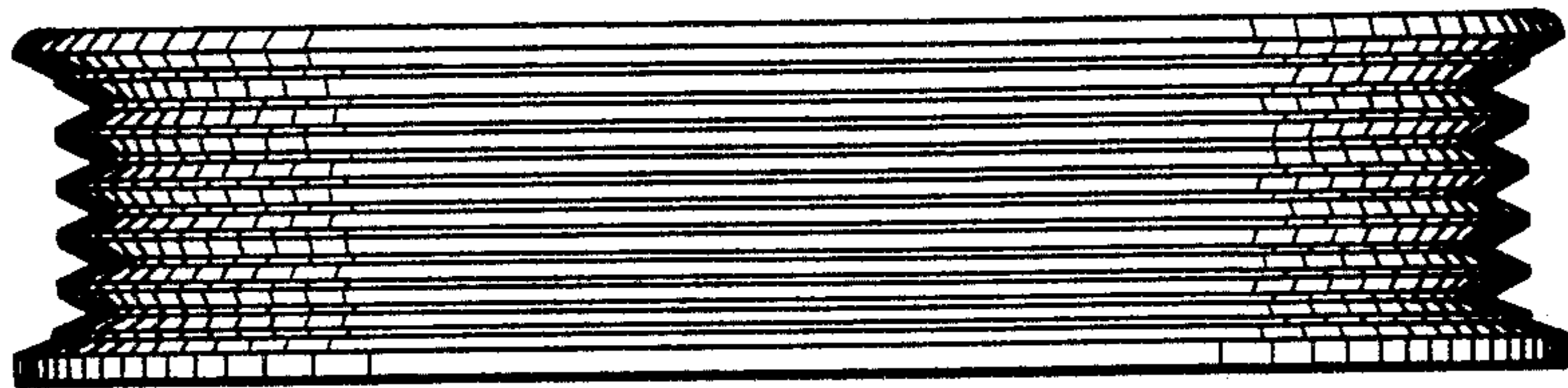


FIG. 3

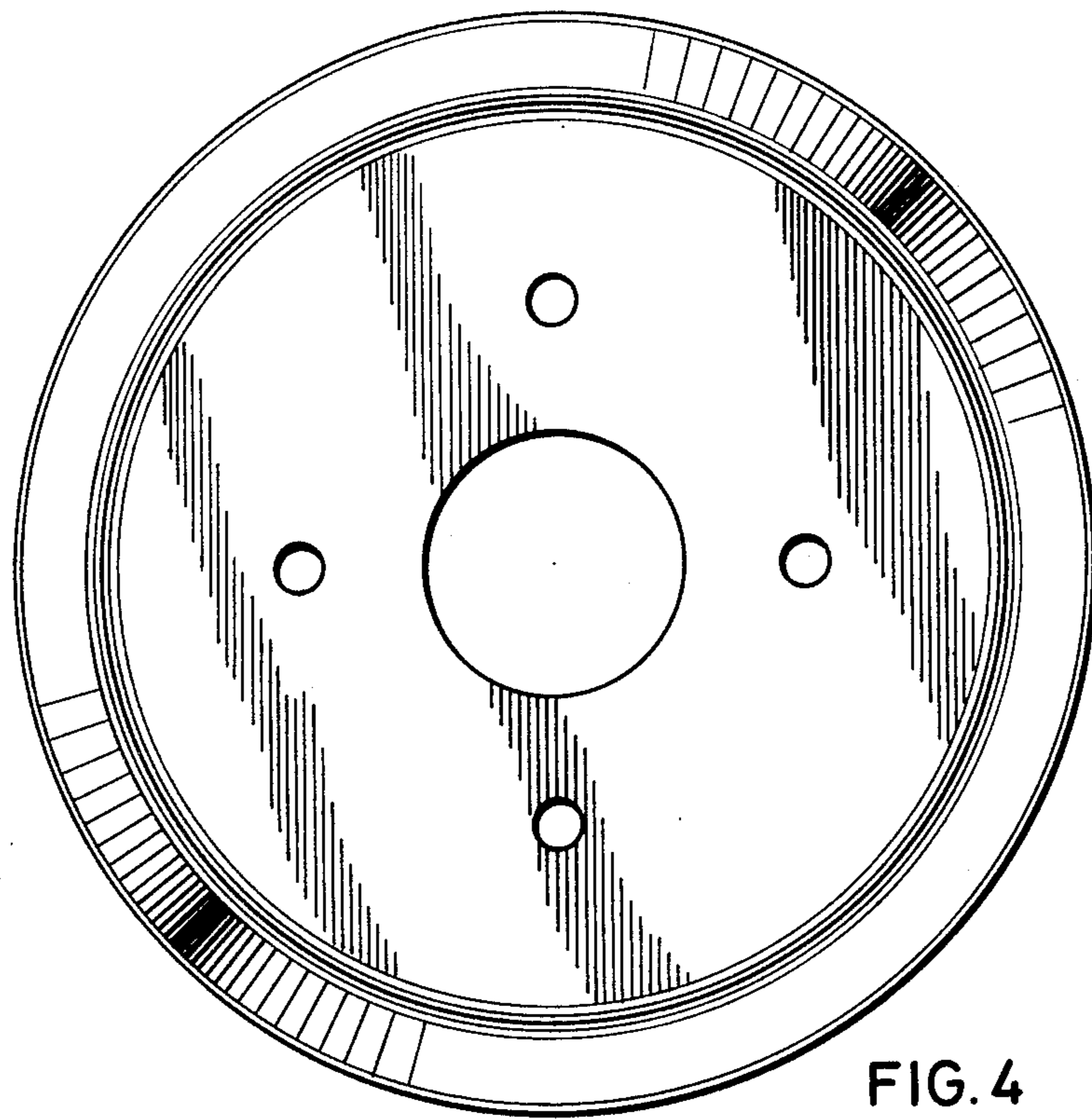


FIG. 4



FIG. 5