

[54] OMELETTE PAN

[76] Inventor: George Manos, 1642 Greenfield Dr., El Cajon, Calif. 92021

[**] Term: 14 Years

[21] Appl. No.: 361,321

[22] Filed: Mar. 24, 1982

[52] U.S. Cl. D7/357; D7/360

[58] Field of Search D7/17, 354, 357, 360, D7/18, 16, 84.1, 43, 27

[56] References Cited

U.S. PATENT DOCUMENTS

- D. 208,097 7/1967 Henn D7/22
- D. 253,272 10/1979 Ottier D7/43 X
- 3,164,285 1/1965 Melich D7/17 X

FOREIGN PATENT DOCUMENTS

- 1428 of 1911 United Kingdom D7/27 X

OTHER PUBLICATIONS

Hed-Retailing Home Furnishings, Jul. 24, 1978, p. 38

Mister Microwave Cookware, Circle Cooker Casserole with cover, bottom left.

Primary Examiner—Winifred E. Herrmann
Attorney, Agent, or Firm—Charmasson & Holz

[57] CLAIM

The ornamental design for an omelette pan, as shown and described.

DESCRIPTION

FIG. 1 is an exploded front or rear elevational view of an omelette pan showing my new design;
 FIG. 2 is an exploded left or right side elevational view thereof;
 FIG. 3 is a top plan view of the receptacle thereof;
 FIG. 4 is a top plan view of the cover thereof;
 FIG. 5 is a bottom plan view of the receptacle of FIG. 3;
 FIG. 6 is a bottom plan view of the cover of FIG. 4; and
 FIG. 7 is an exploded sectional view thereof in front or rear elevation.

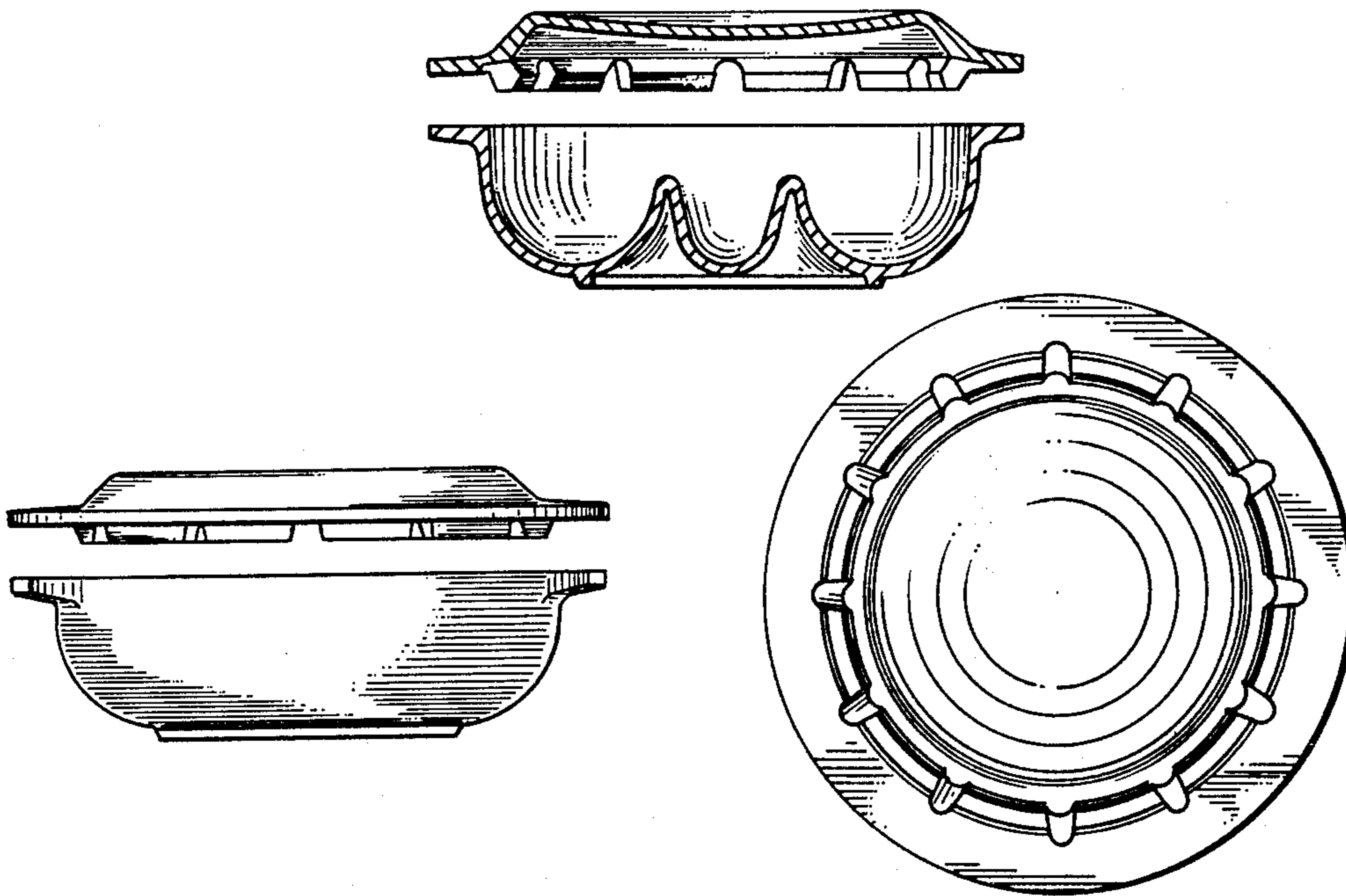


Fig.1

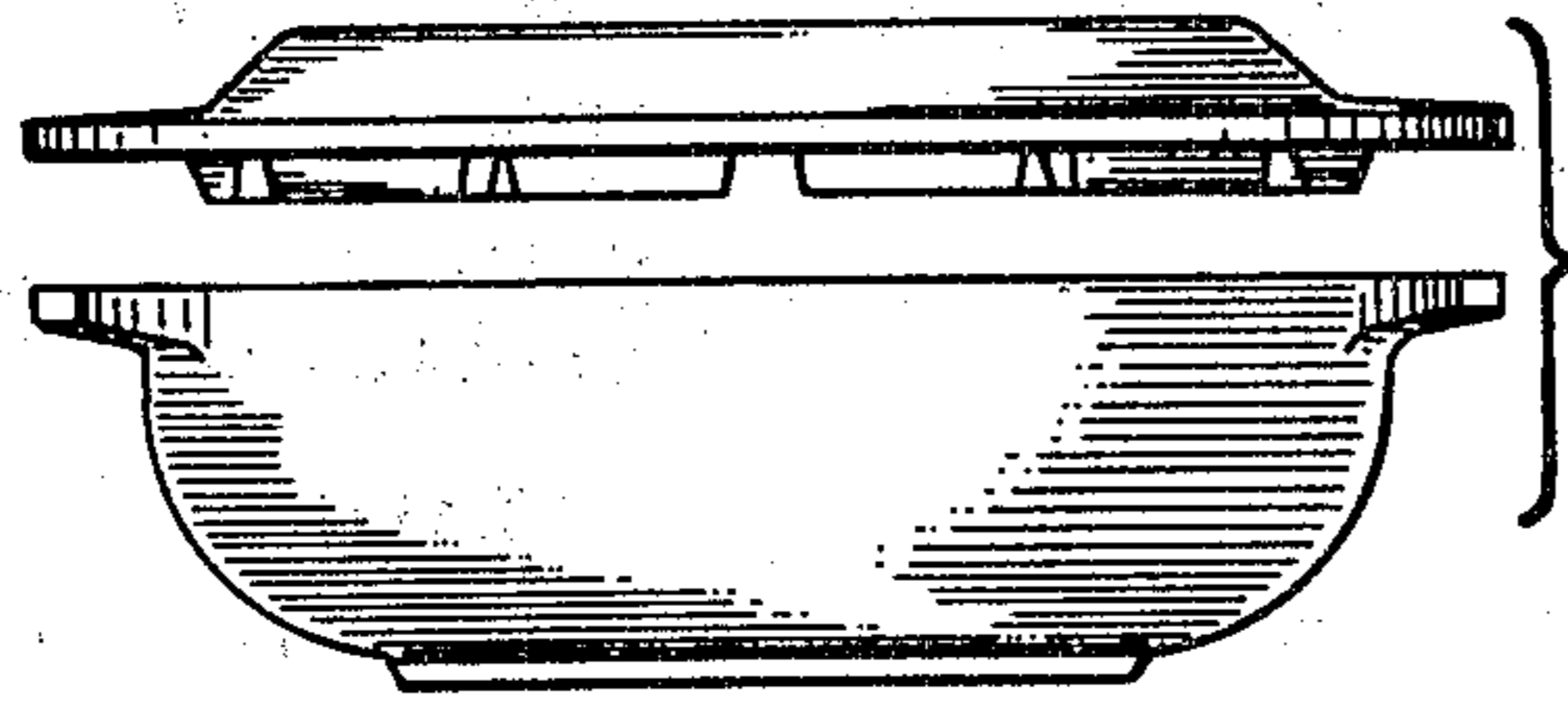


Fig.2

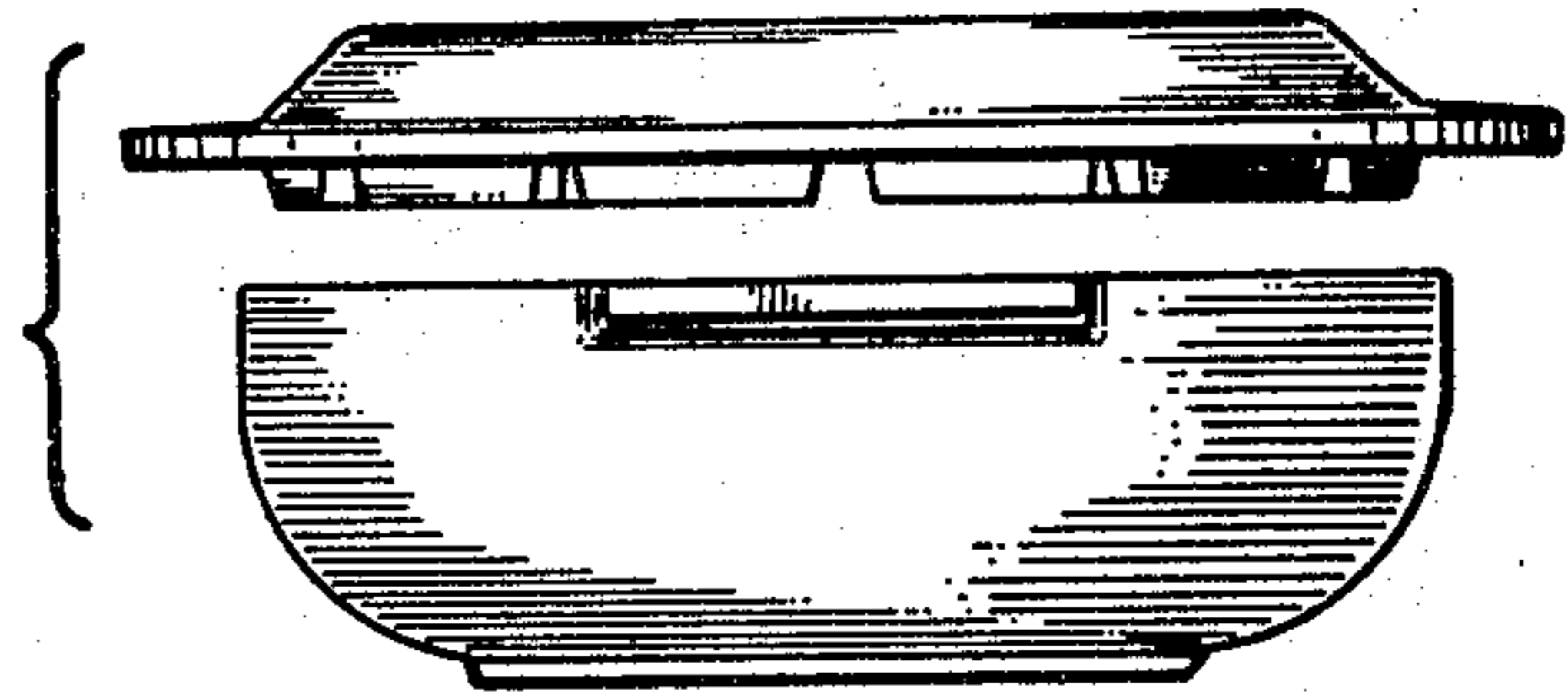


Fig.3

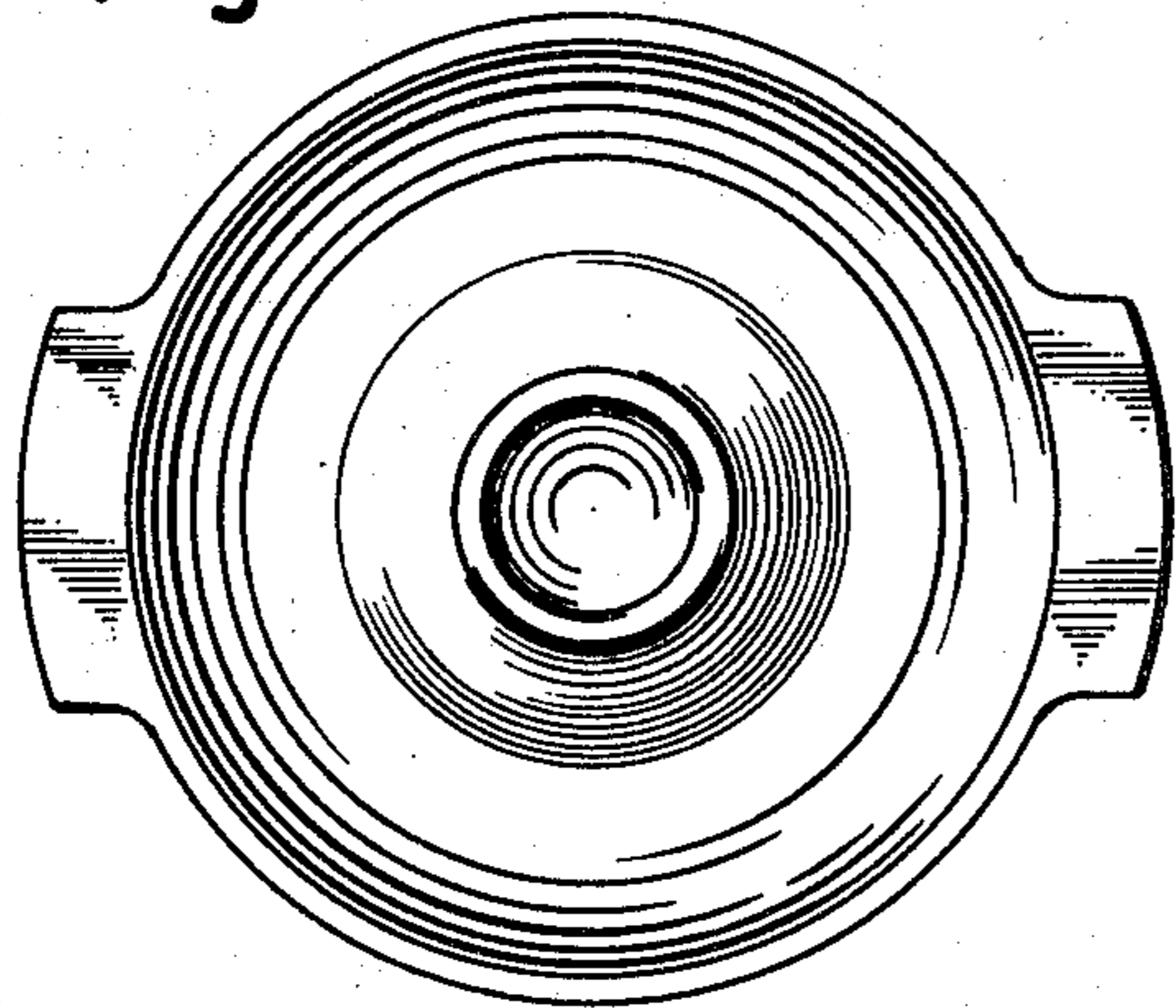


Fig.4

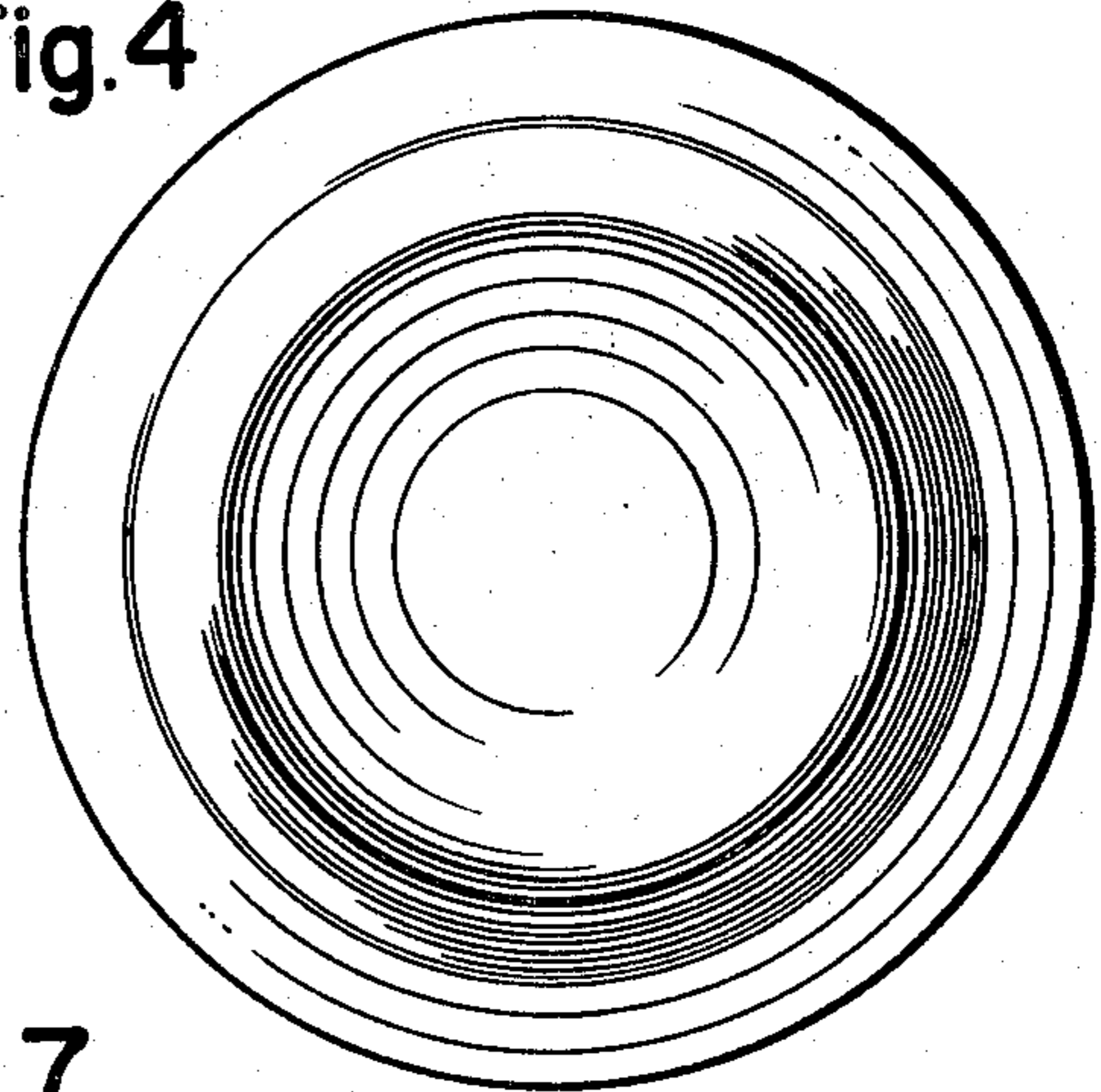


Fig.7

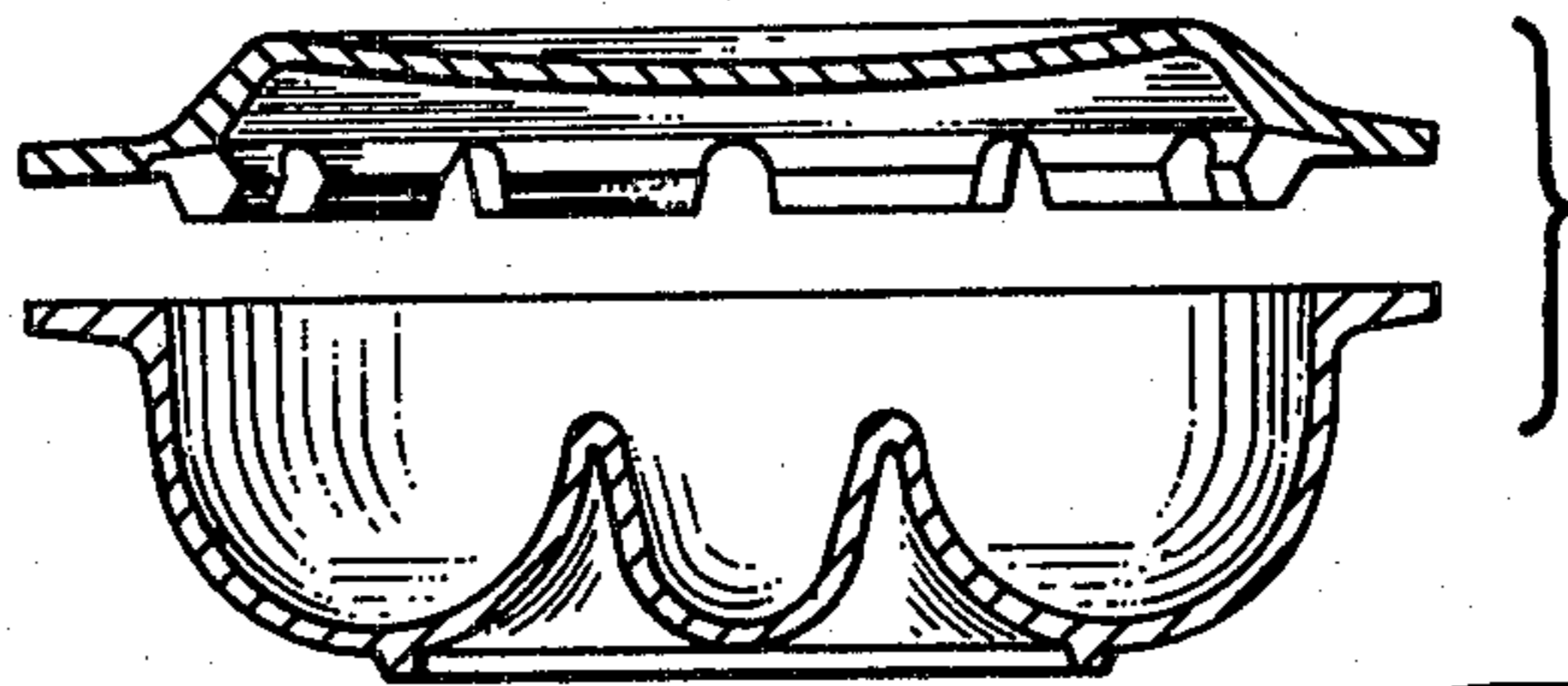


Fig.5

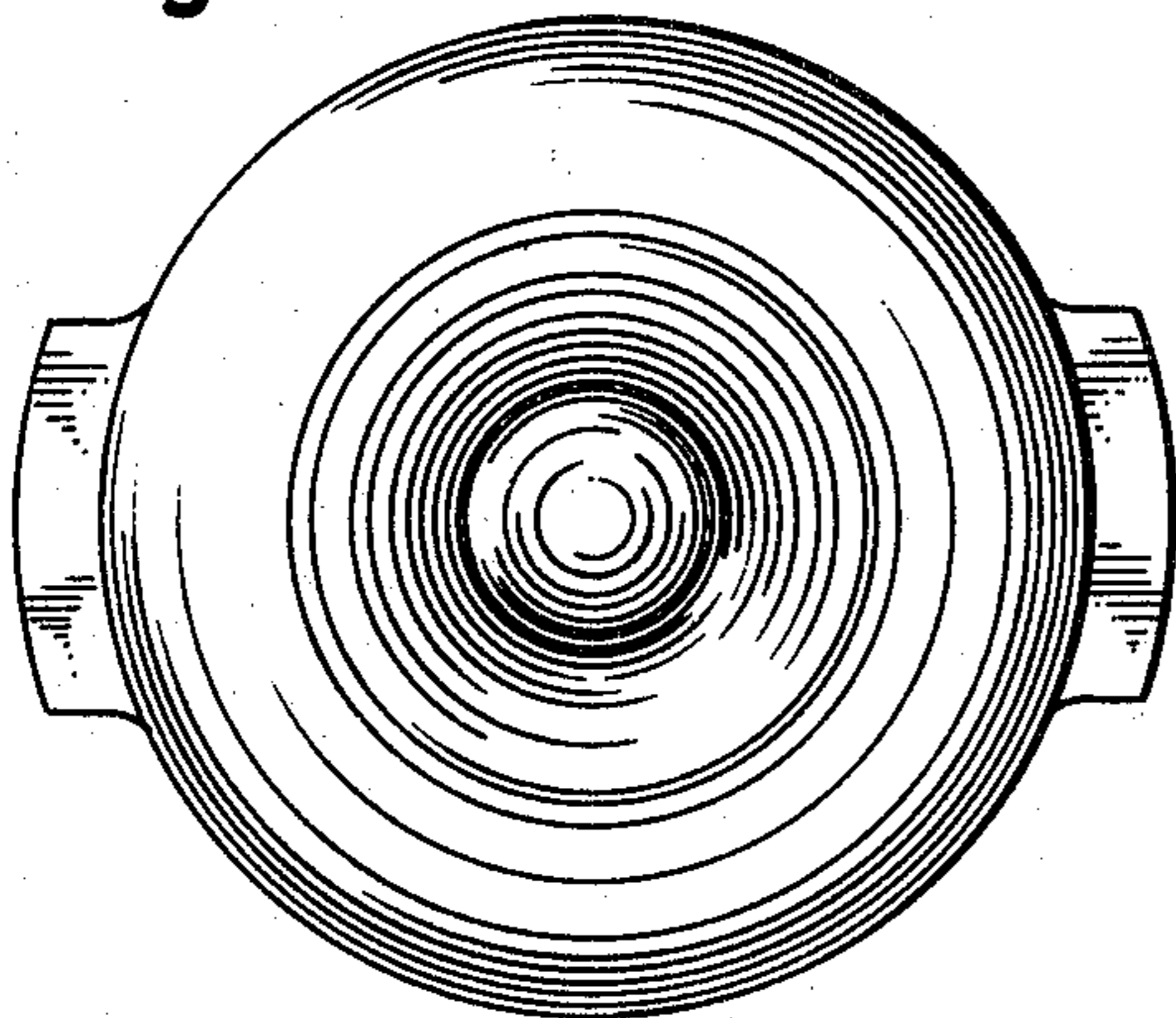


Fig.6

