

[54] **DESK OR SIMILAR ARTICLE**

[75] **Inventor: Jack G. Dunbar, New York, N.Y.**

[73] **Assignee: Dunbar Furniture, Inc., Berne, Ind.**

[**] **Term: 14 Years**

[21] **Appl. No.: 383,417**

[22] **Filed: Jun. 1, 1982**

[52] **U.S. Cl. D6/483; D6/428;
D6/485**

[58] **Field of Search D6/20, 27, 146-149,
D6/175, 177-179, 181, 161**

[56] **References Cited**

U.S. PATENT DOCUMENTS

D. 225,808	1/1973	Torrey	D6/181
D. 225,949	1/1973	Torrey	D6/177
D. 238,404	1/1976	Owens	D6/171 X
D. 260,334	8/1981	Van Horn	D6/67 X

OTHER PUBLICATIONS

Brunswick Catalog, Jul. 28, 1960, p. 19, Half-Round Table at lower left.

L. A. Darling Display Catalog, Apr. 9, 1965, Displayer bottom left.

Primary Examiner—Bruce W. Dunkins
Attorney, Agent, or Firm—Peterson, Palmatier, Sturm, Sjoquist & Baker, Ltd.

[57] **CLAIM**

The ornamental design for a desk or similar article, substantially as shown and described.

DESCRIPTION

FIG. 1 is a perspective view of a desk or similar article showing my new design;

FIG. 2 is a top plan view thereof;

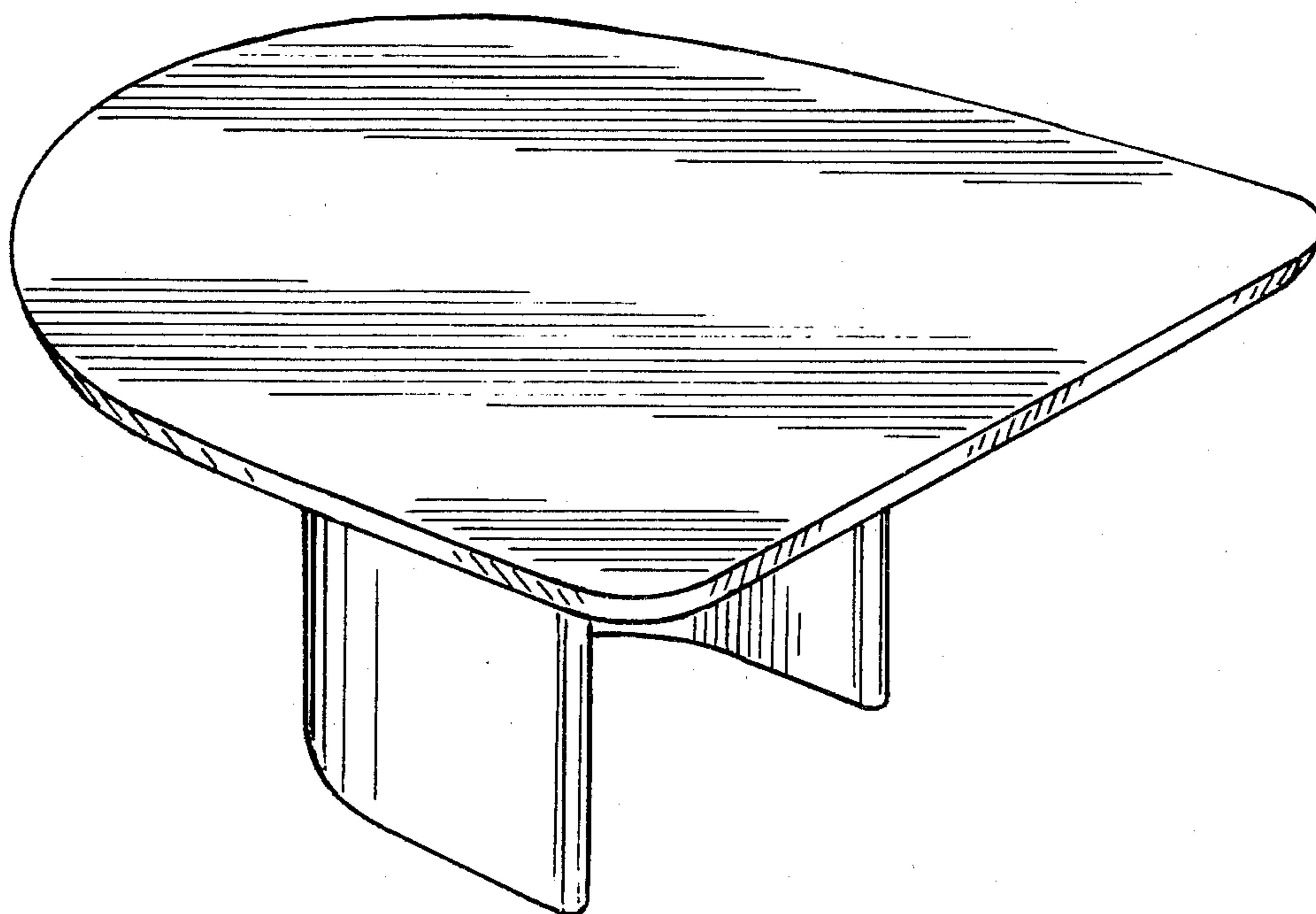
FIG. 3 is a side elevational view thereof, the opposite side being substantially a mirror image thereof;

FIG. 4 is a front elevational view thereof;

FIG. 5 is a rear elevational view thereof;

FIG. 6 is a bottom plan view thereof; and

FIG. 7 is a sectional view on a larger scale, taken along line 7-7 of FIG. 2.



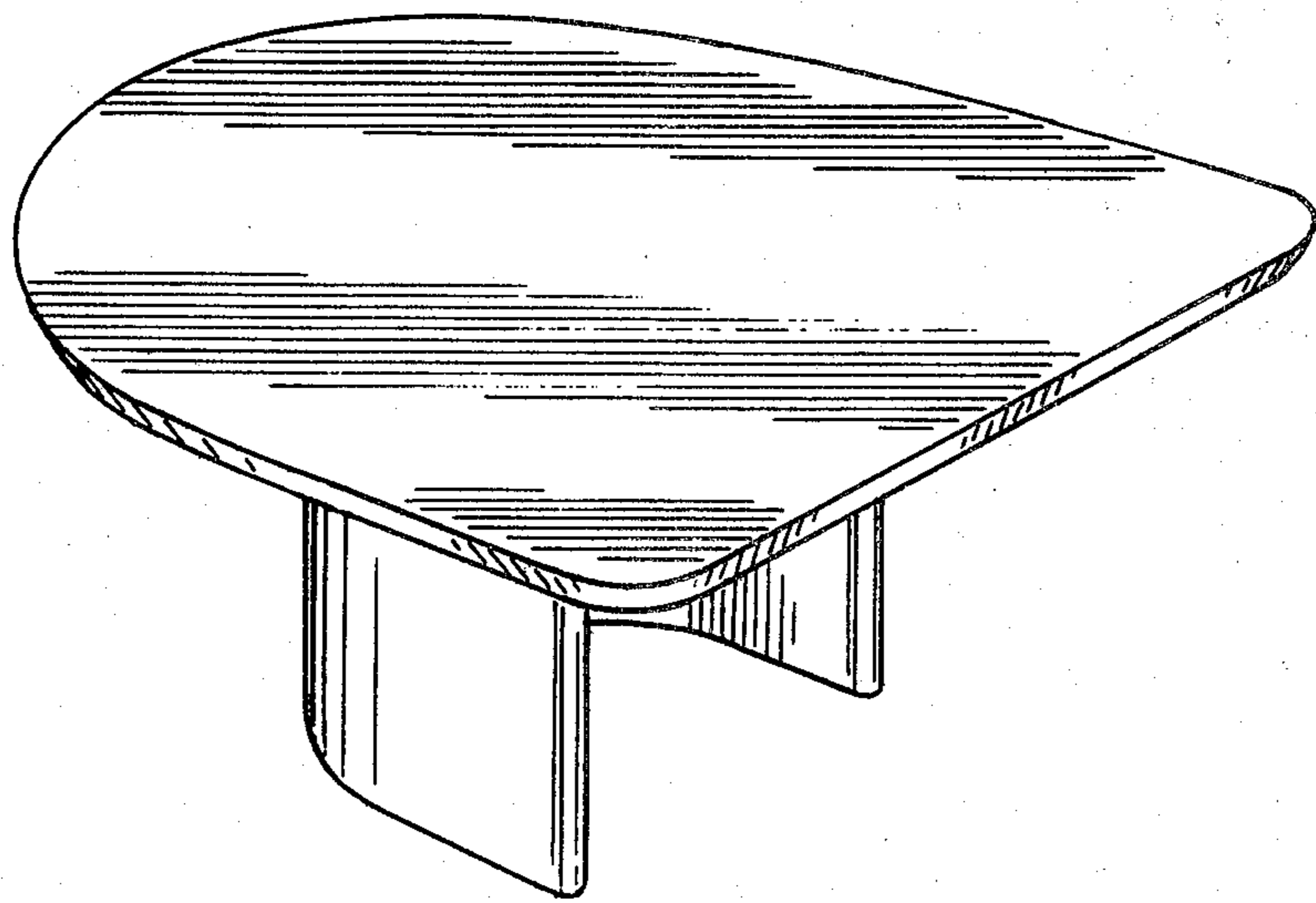


FIG. 1

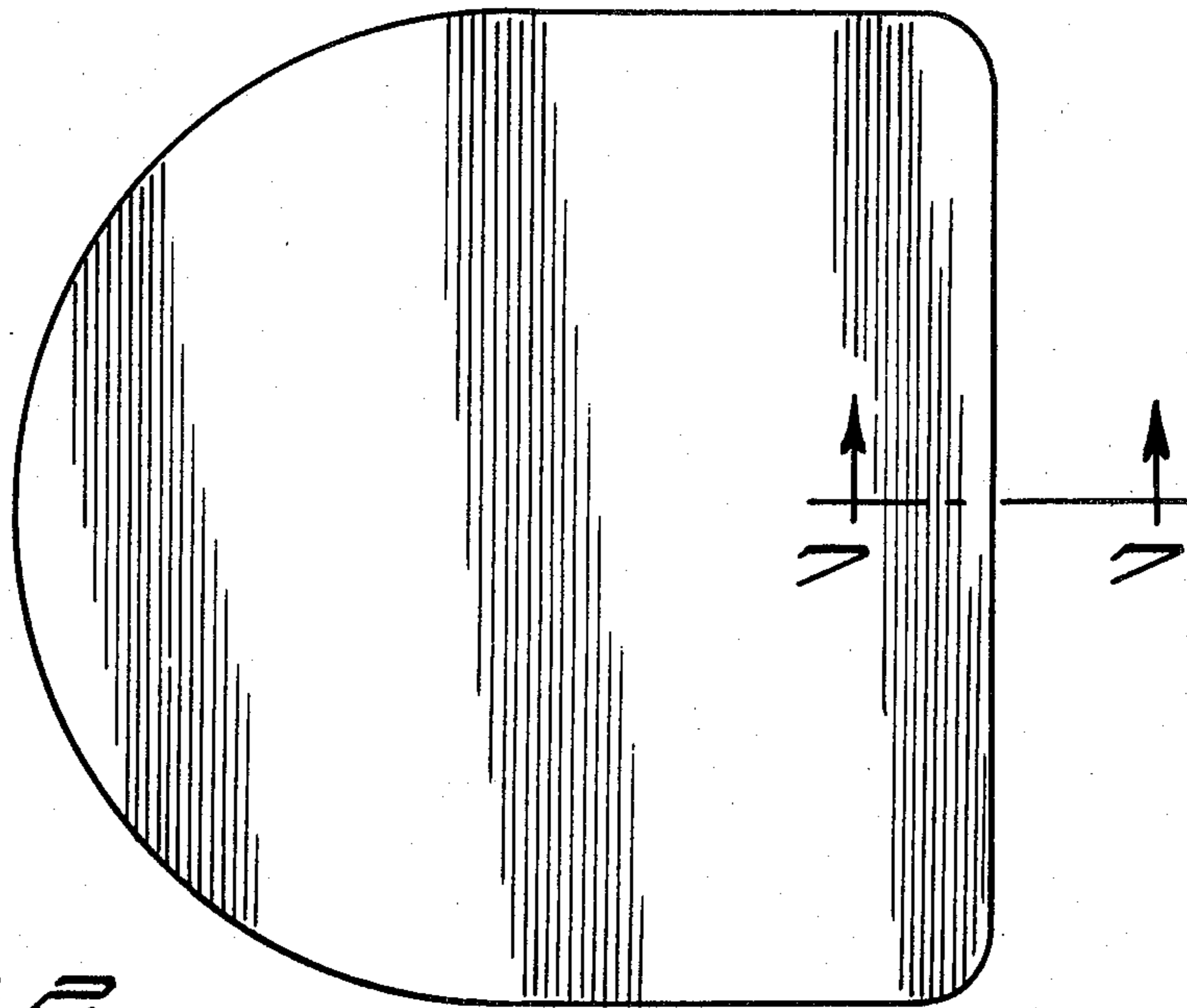


FIG. 2

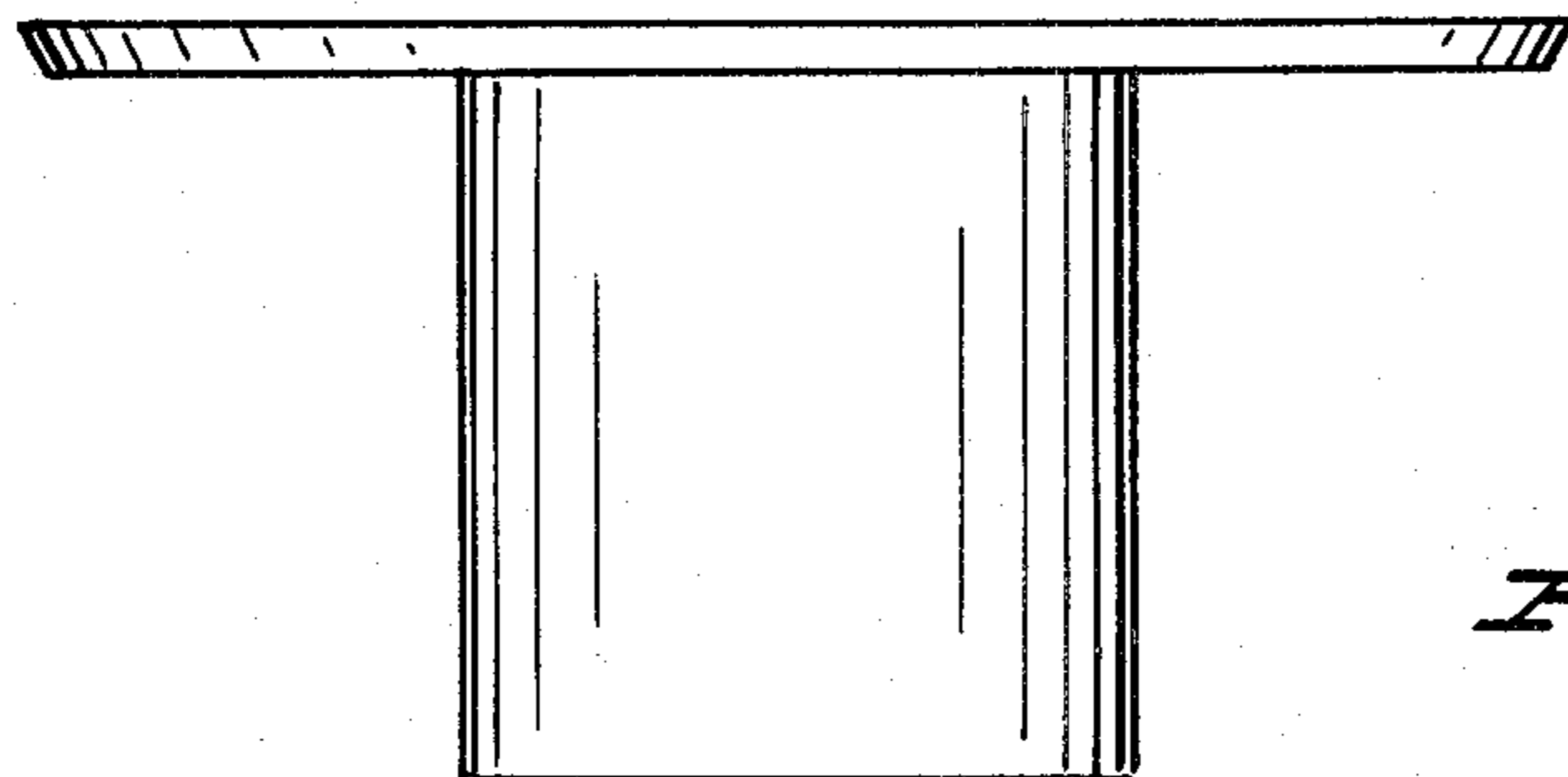


FIG. 3

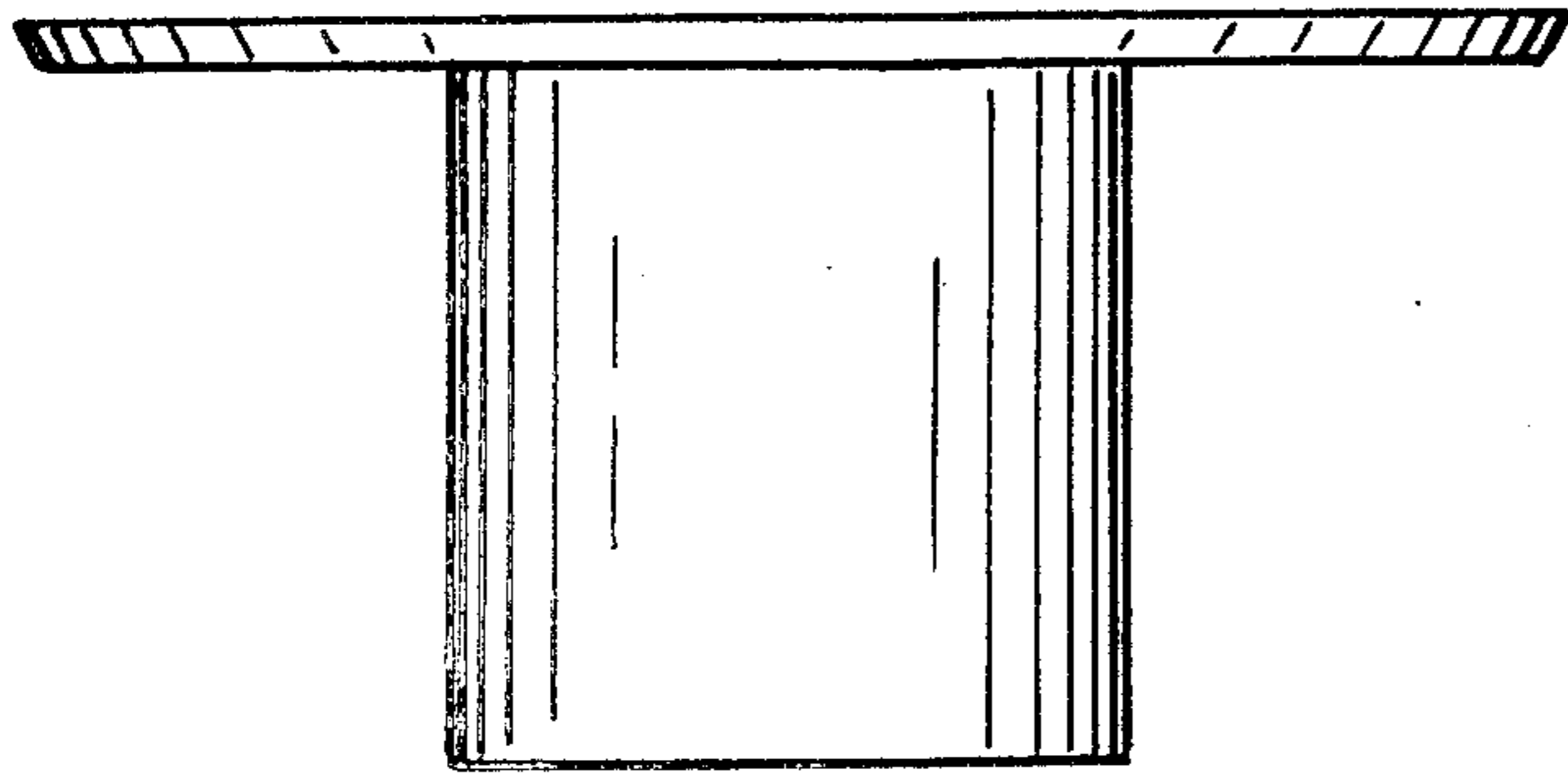


FIG. 4

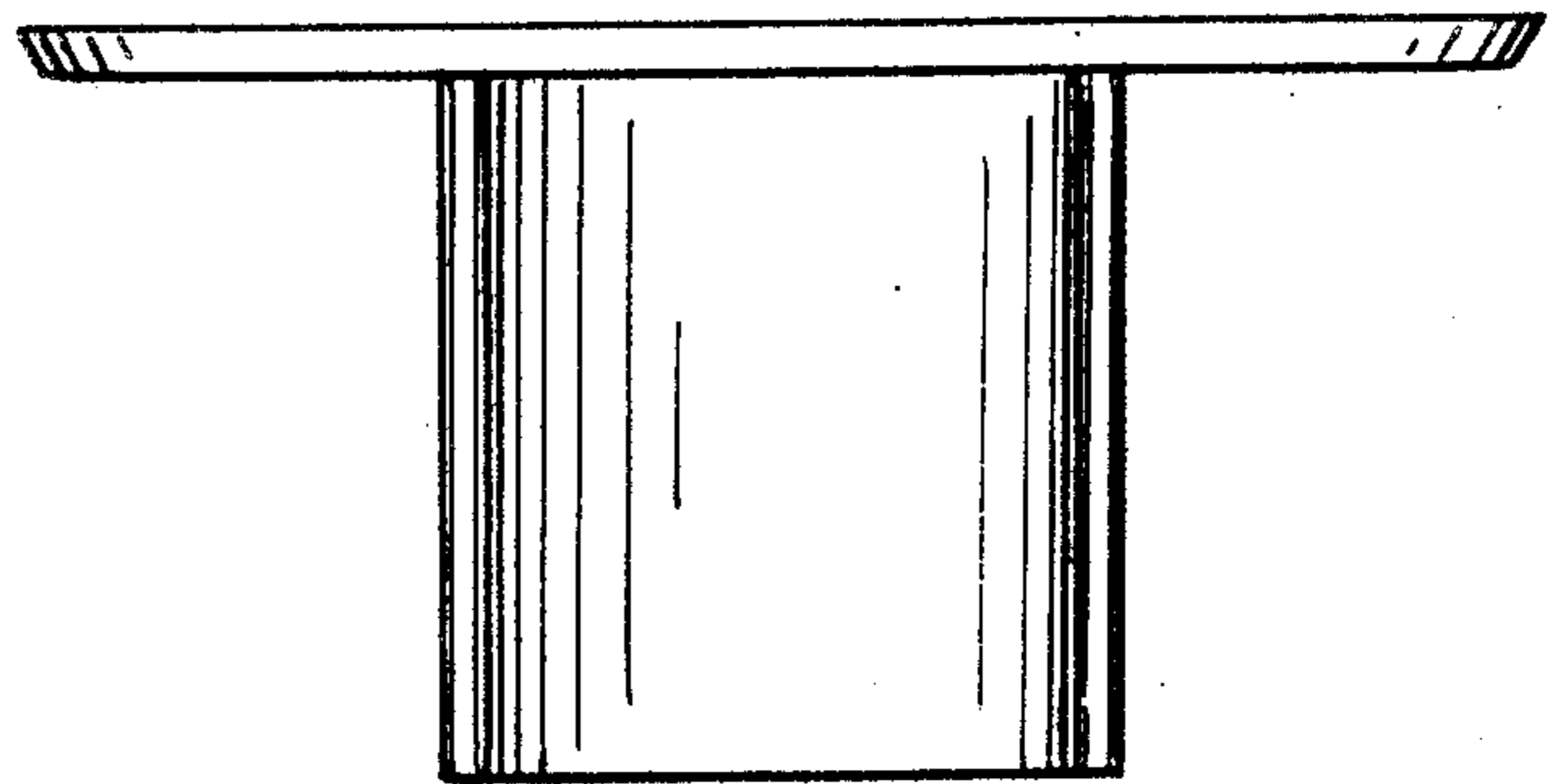


FIG. 5

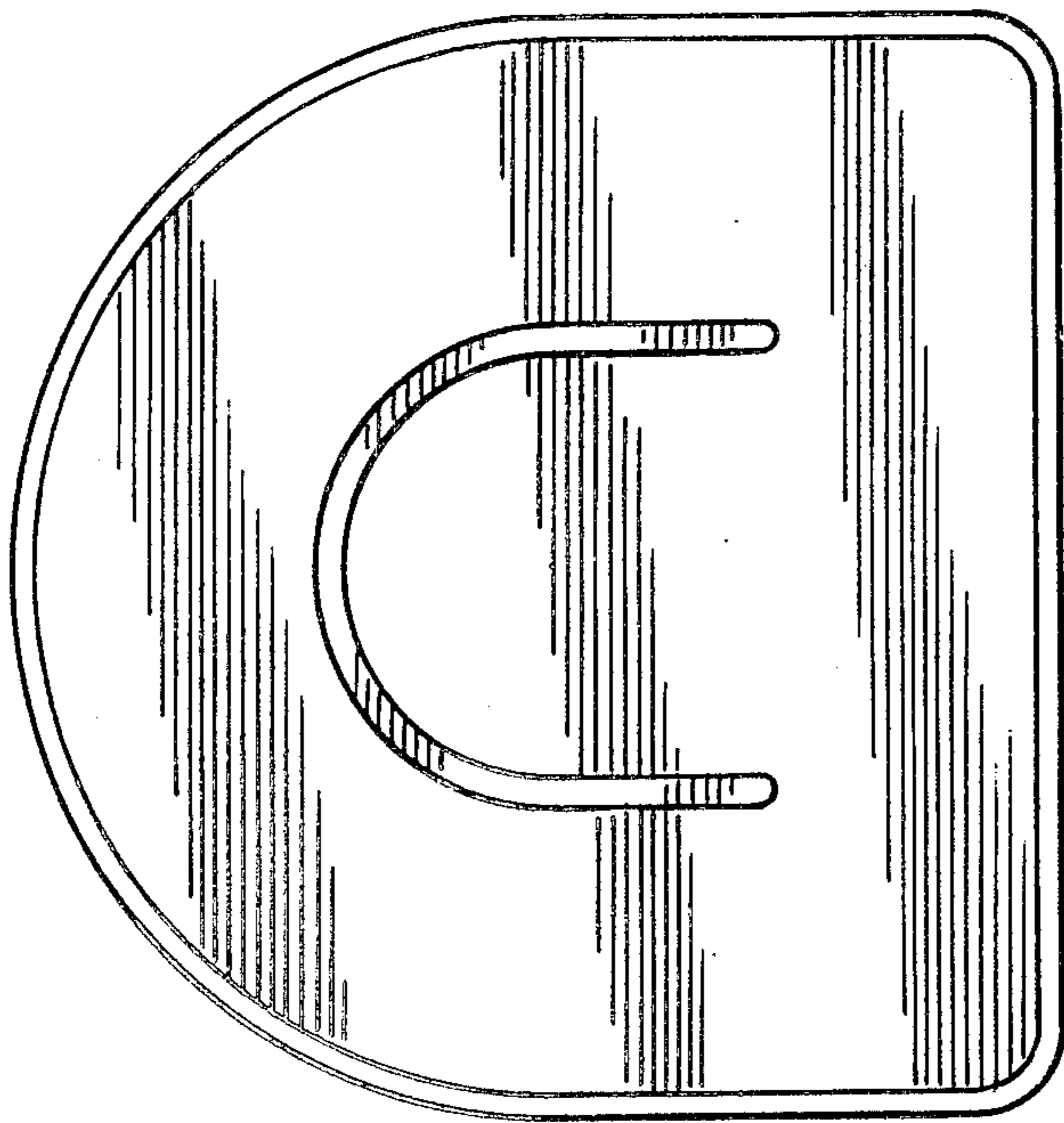


FIG. 6

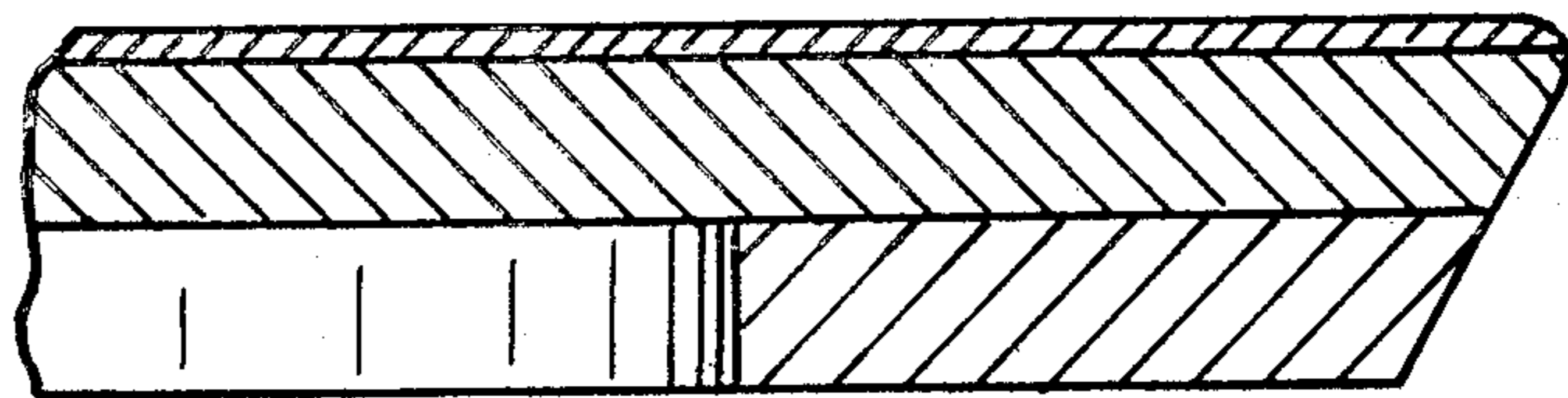


FIG. 7