

[54] DESK

[76] Inventor: John W. Foyle, St. Nicholas House, 55 Stambidge Rd., Rochford, Essex SS4 1DY, United Kingdom

[**] Term: 14 Years

[21] Appl. No.: 305,504

[22] Filed: Sep. 25, 1981

[30] Foreign Application Priority Data

Apr. 7, 1981 [GB] United Kingdom 999830
[52] U.S. Cl. D6/482; D6/423; D6/483
[58] Field of Search D6/146-149, D6/161, 162, 163, 175, 177-179; D24/1.1

[56] References Cited

U.S. PATENT DOCUMENTS

- D. 183,361 8/1958 McCarthy et al. D6/162
- D. 201,971 8/1965 Mohon D6/181
- D. 239,061 3/1976 D'Elia D6/162 X
- D. 242,410 11/1976 Goulooze D6/186 X
- D. 242,832 12/1976 Swensson D6/186 X

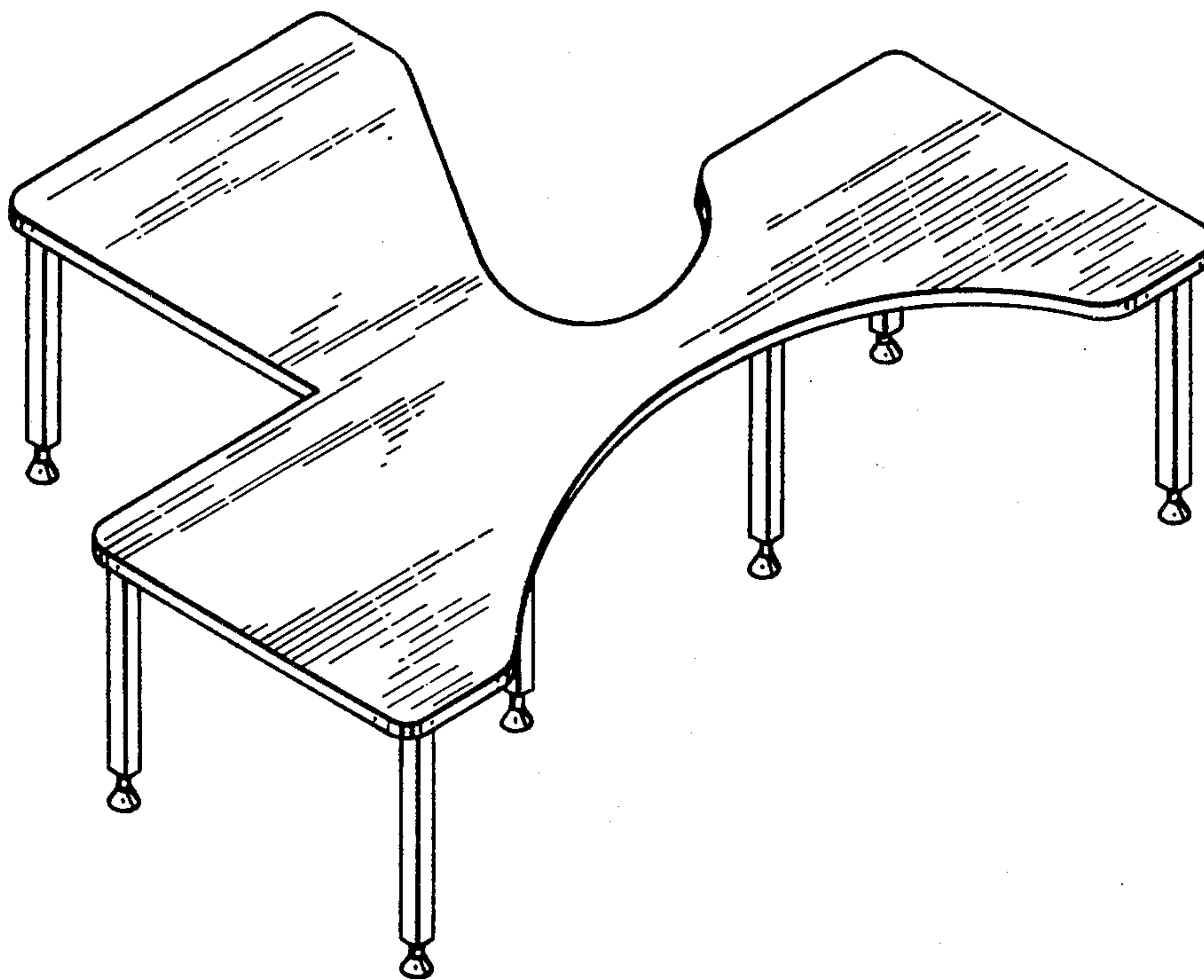
Primary Examiner—Bruce W. Dunkins
Attorney, Agent, or Firm—Brumbaugh, Graves, Donohue & Raymond

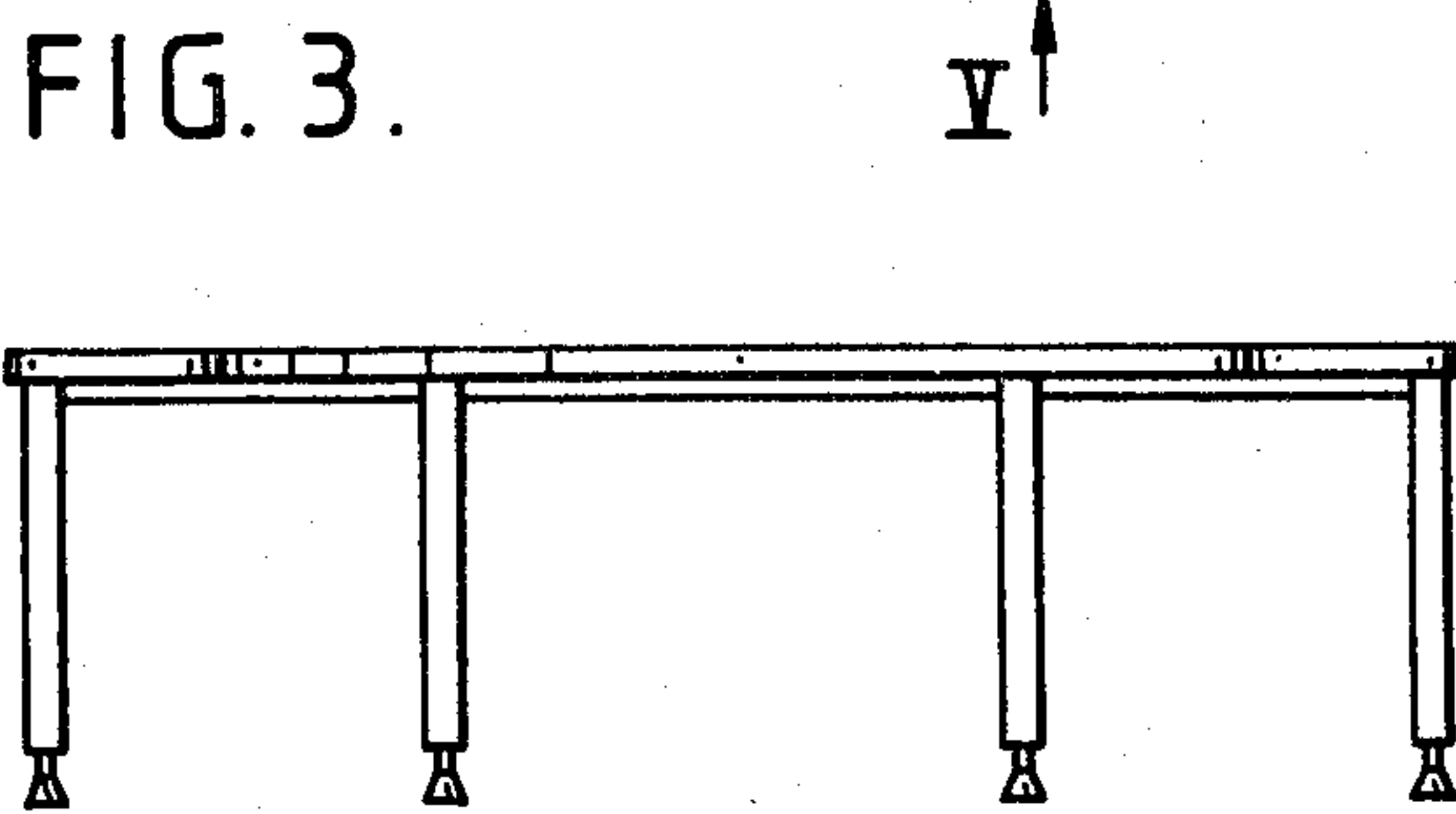
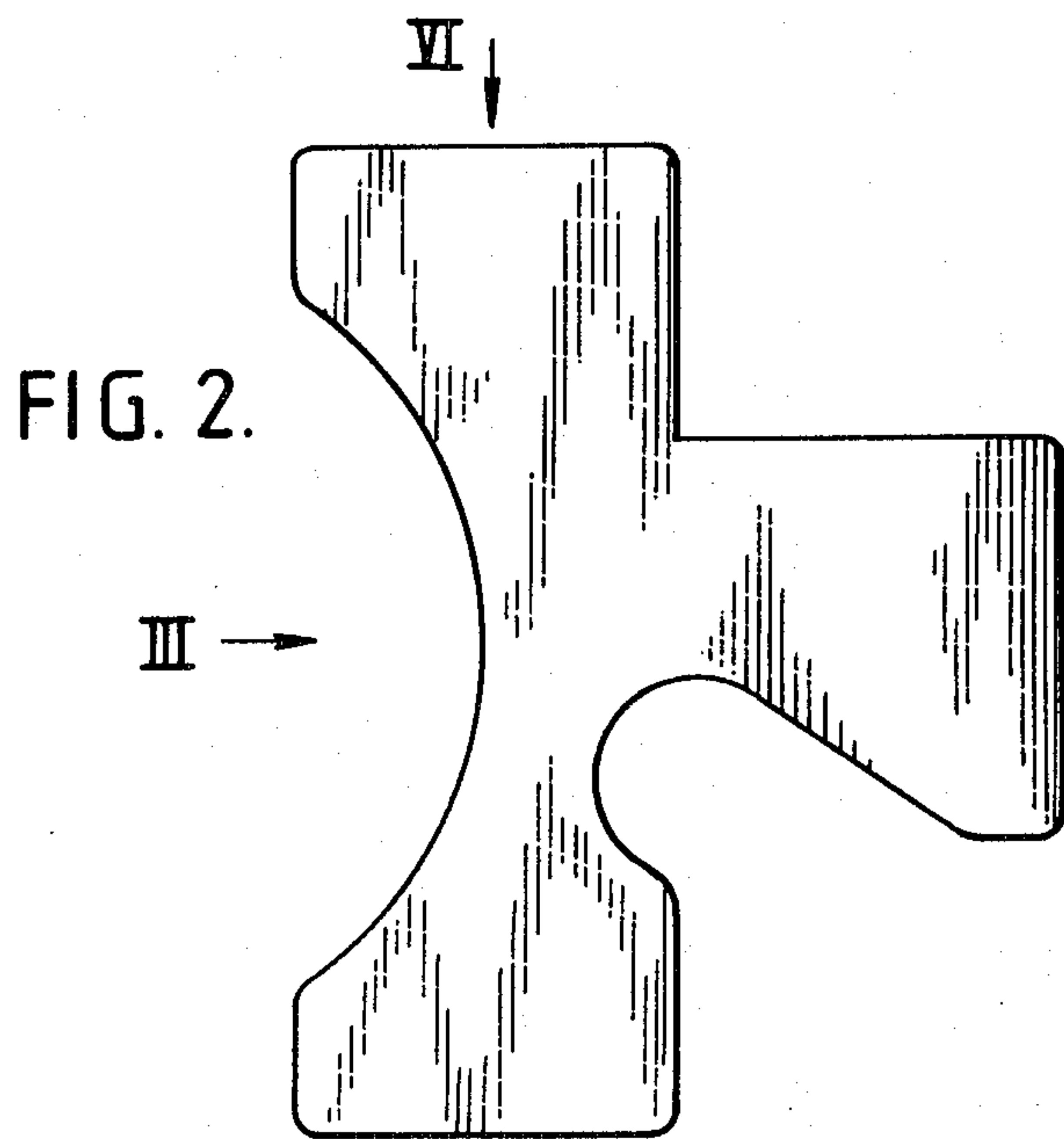
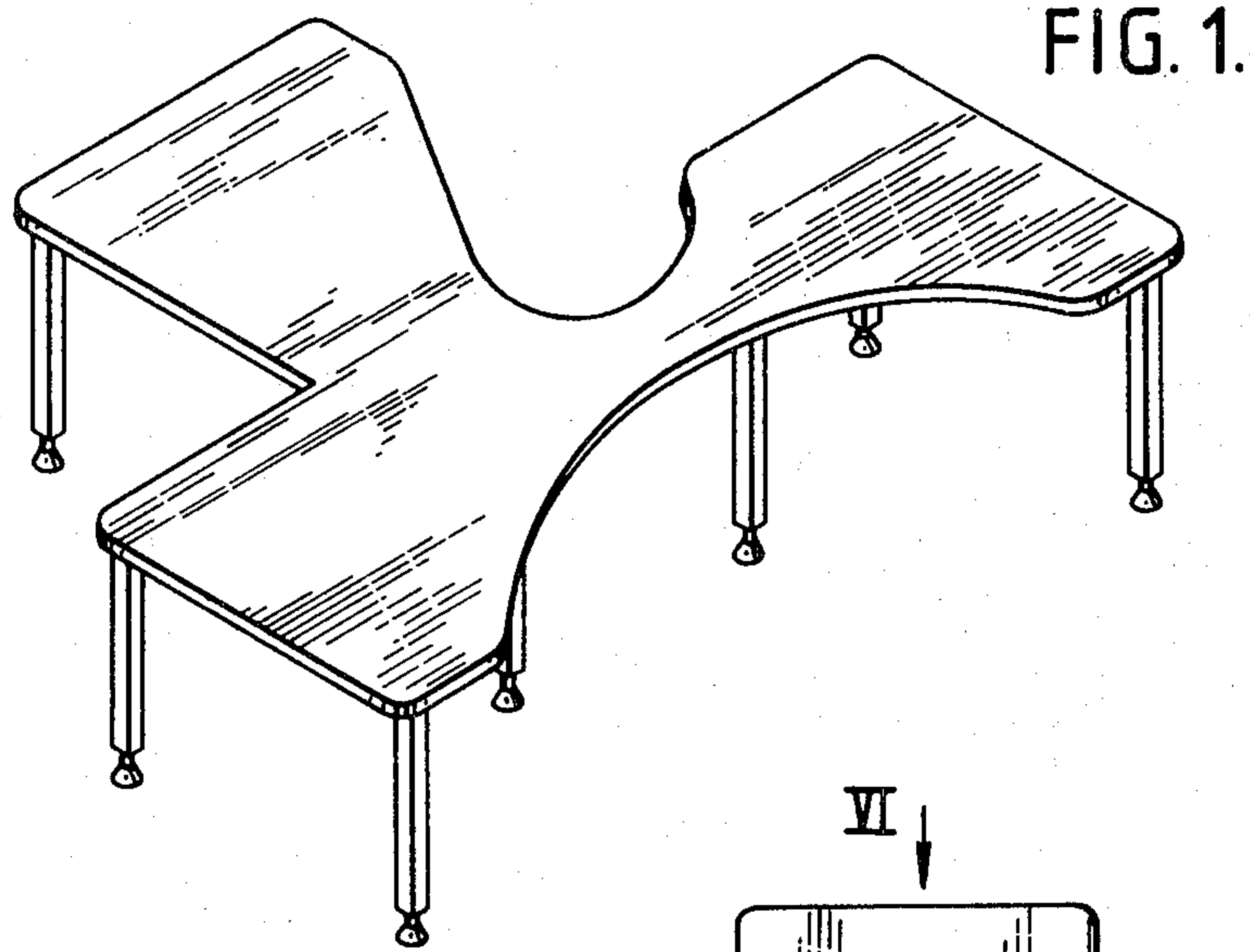
[57] CLAIM

The ornamental design for a desk, as shown.

DESCRIPTION

FIG. 1 is a perspective view of a desk showing my design,
FIG. 2 is a plan view from above thereof,
FIG. 3 is a front end view thereof,
FIG. 4 is a plan view from below thereof,
FIG. 5 is a side view thereof, and
FIG. 6 is a view from the other side thereof.





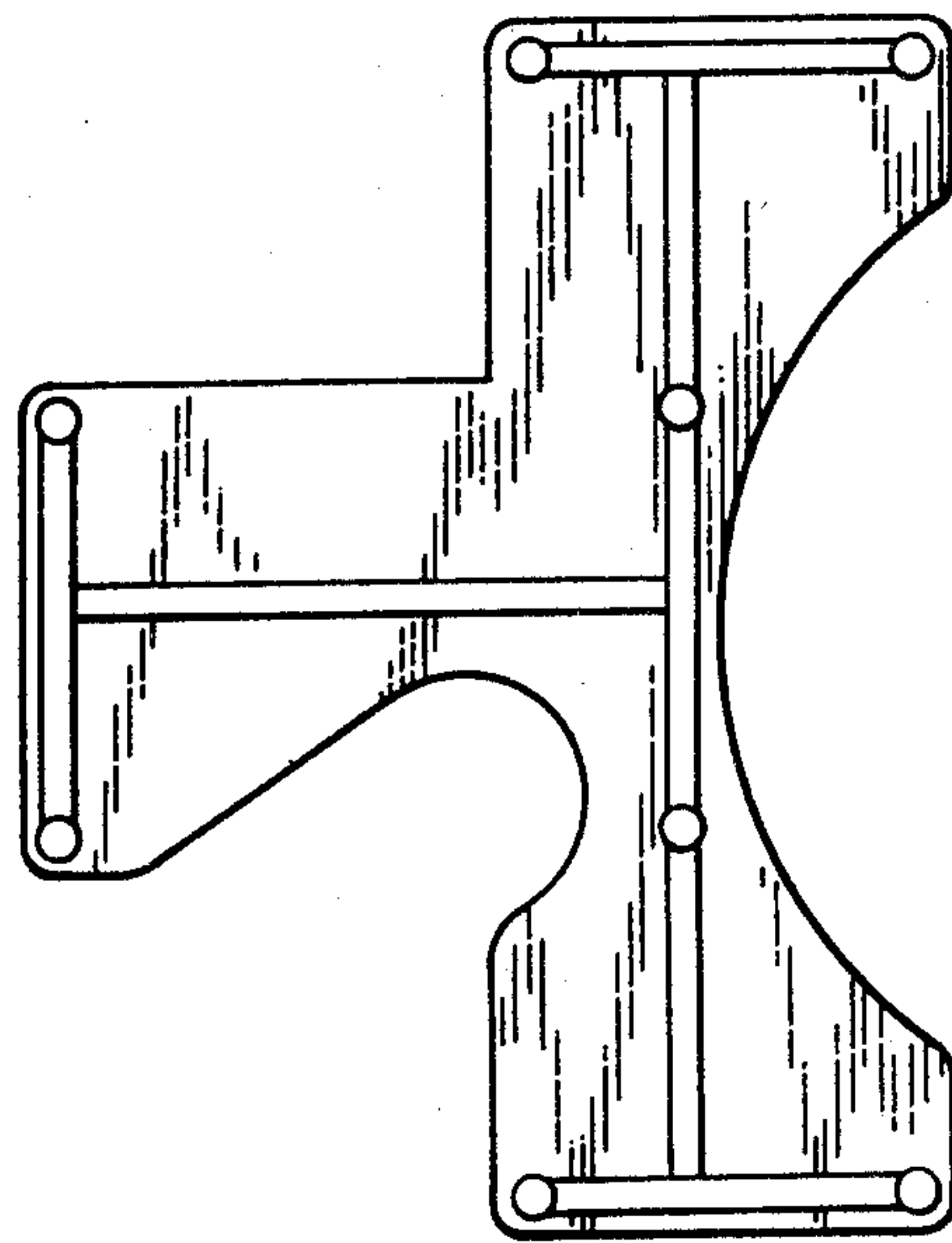


FIG. 4.

FIG. 5.

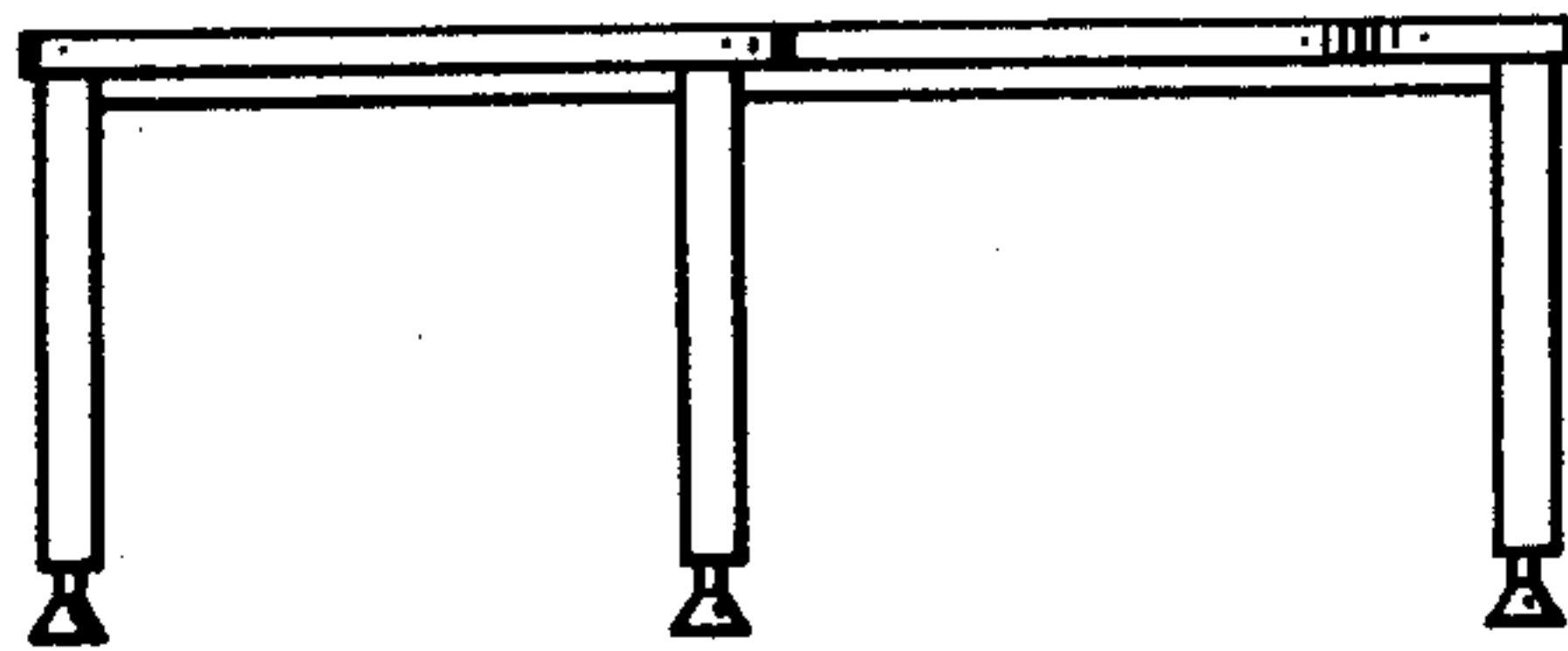


FIG. 6.

