

[54] SHELF FOR DISPLAYING MODEL TRAIN

[76] Inventor: George E. Olson, 644 37th Ave., Santa Cruz, Calif. 95062

[**] Term: 14 Years

[21] Appl. No.: 377,618

[22] Filed: May 13, 1982

[52] U.S. Cl. D6/574

[58] Field of Search D6/114, 132, 136; D25/74; 211/13, 87, 88, 90; 108/152; D6/181, 127

[56] References Cited

U.S. PATENT DOCUMENTS

D. 185,550	6/1959	Hauser	D6/136
D. 210,946	5/1968	Cook	D25/74
D. 264,906	6/1982	Franklin	D6/127
2,159,136	5/1939	Delk	D25/74
4,191,110	3/1980	Klukos	108/152

FOREIGN PATENT DOCUMENTS

1183768 3/1970 United Kingdom 108/152

OTHER PUBLICATIONS

Industrial Design; 4/1978, p. 68; Extrusion (left column, second from bottom).
Sweet's Architectural Cat. File 1972, sec 10, 17/med; p. 3; Shelf SA.

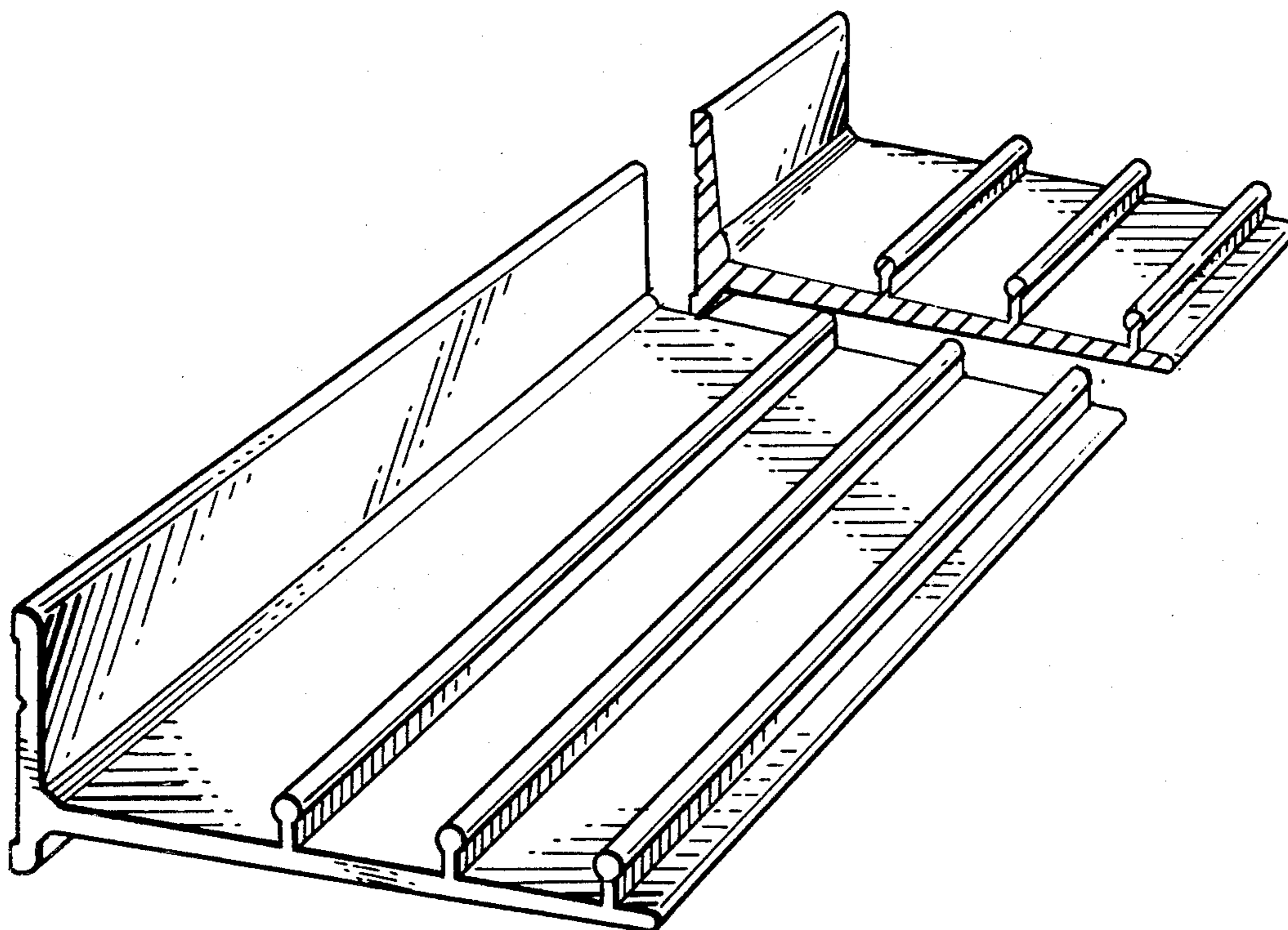
Primary Examiner—B. J. Bullock
Attorney, Agent, or Firm—Robert G. Slick

[57] CLAIM

The ornamental design for a shelf for displaying a model train, as shown and described.

DESCRIPTION

FIG. 1 is a perspective view of a shelf for displaying a model train showing a new design.
FIG. 2 is an end view thereof.
FIG. 3 is a top plan view thereof.
FIG. 4 is a front elevational view thereof.
FIG. 5 is a bottom plan view thereof.
FIG. 6 is a rear elevational view.



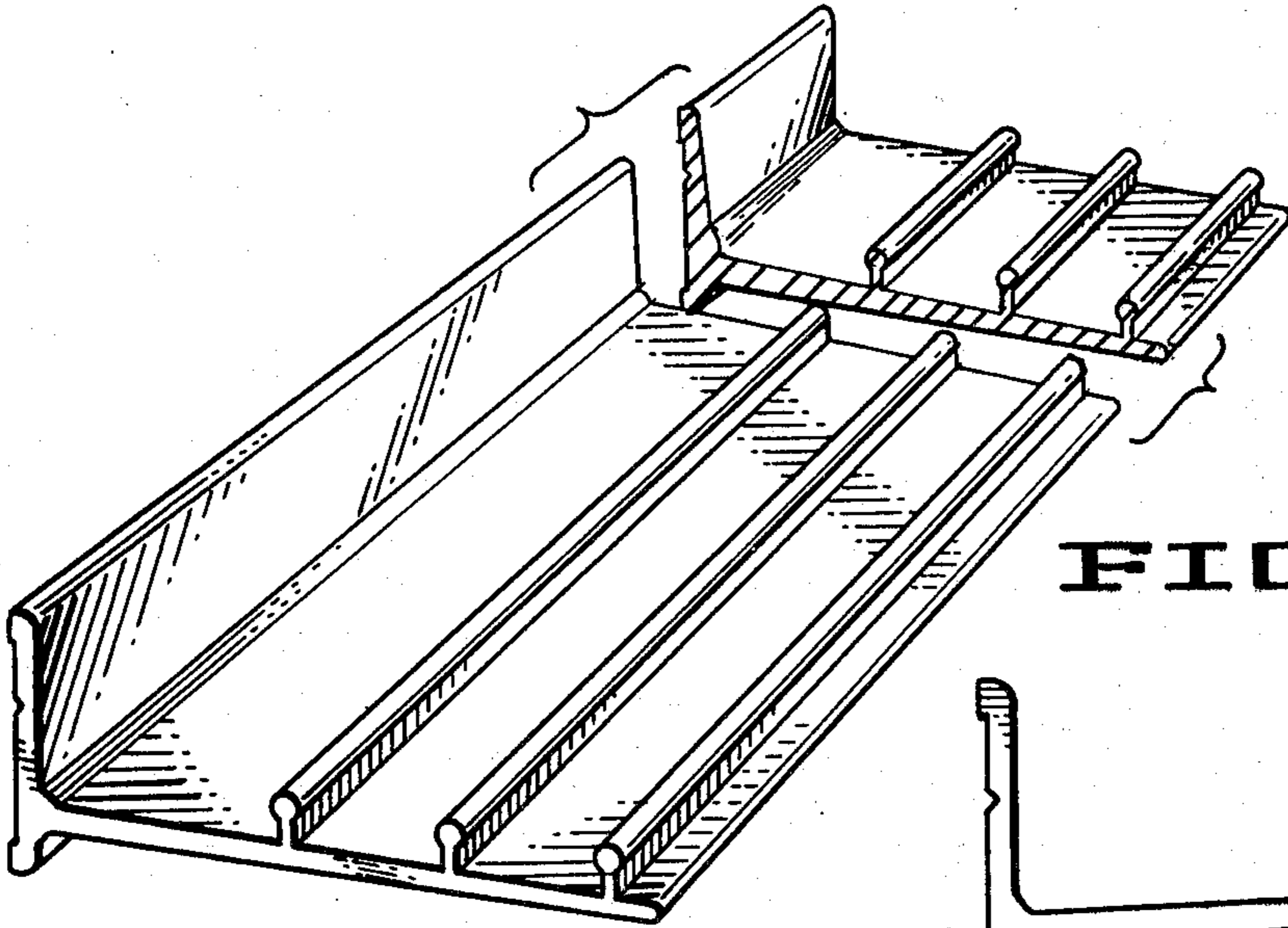


FIG. 1.

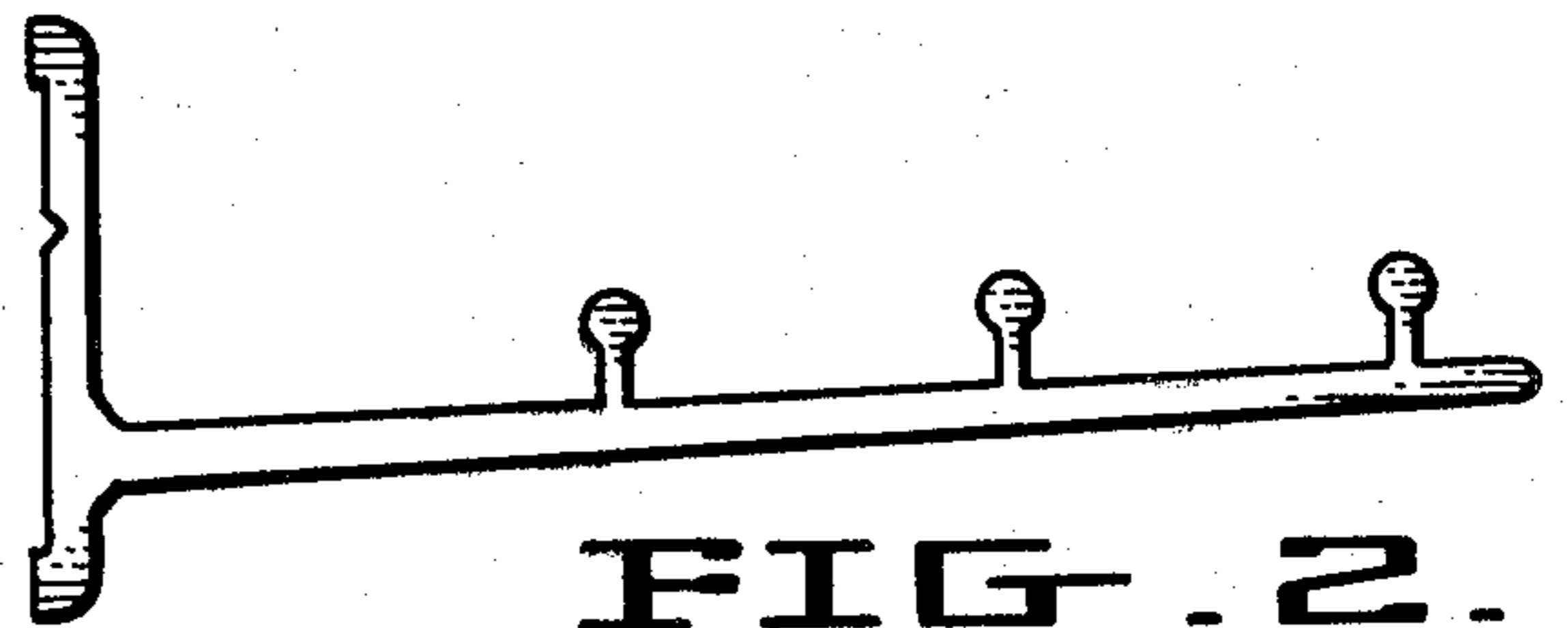


FIG. 2.

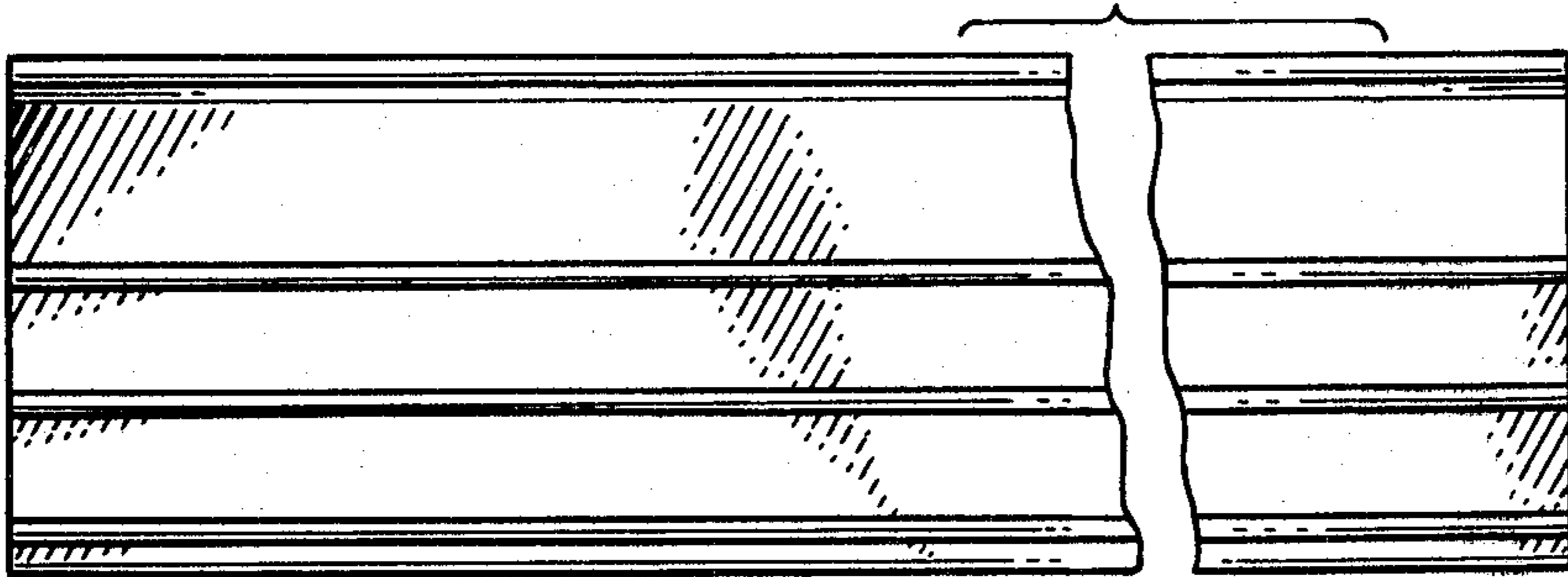


FIG. 3.

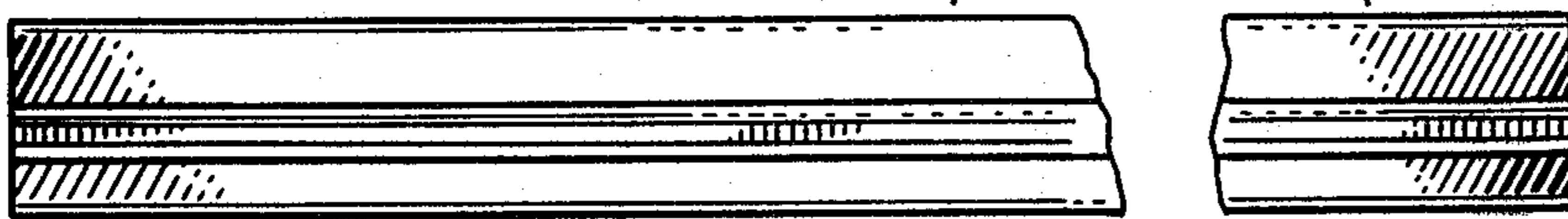


FIG. 4.

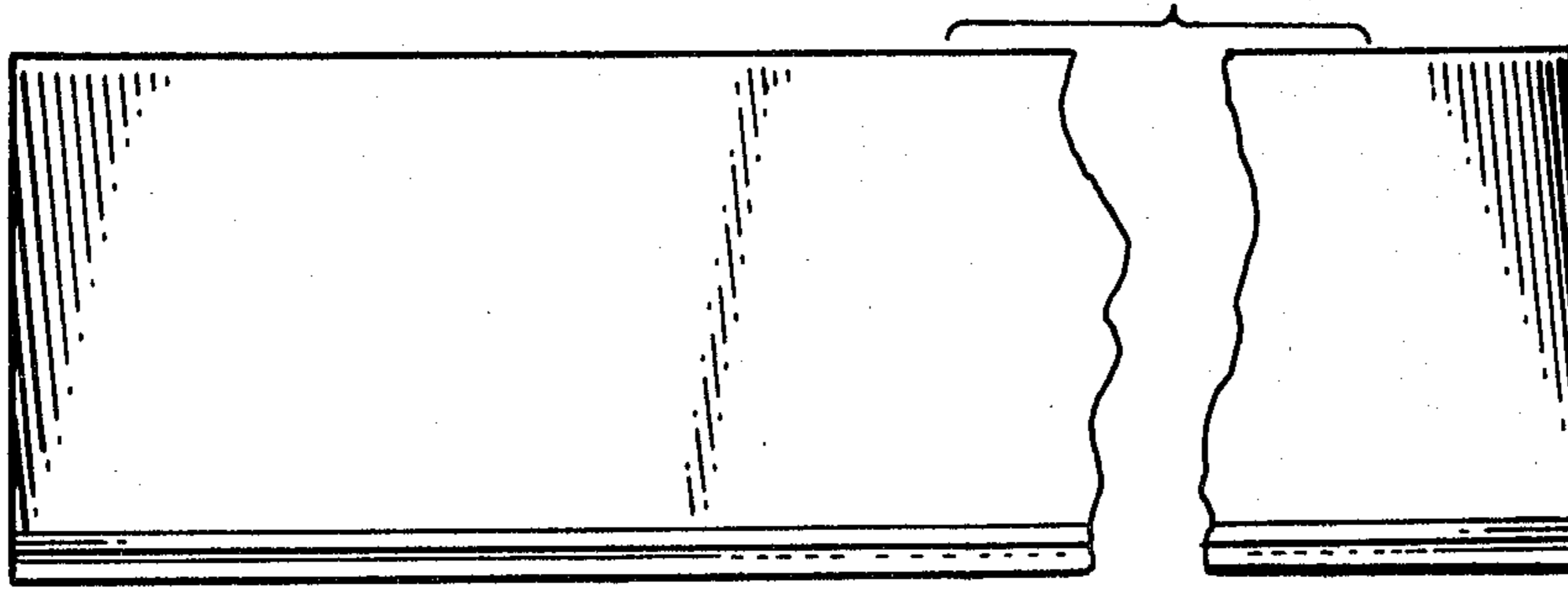


FIG. 5.

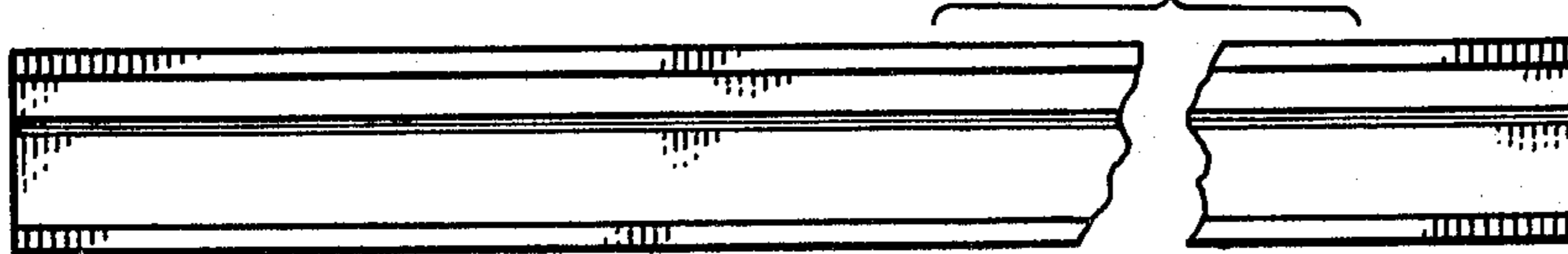


FIG. 6.