

[54] TOOL HOLDER

[76] Inventor: Sten J. Brorsson, Kristianstadvägen
23,, S-242 00 Hörby, Sweden

[**] Term: 14 Years

[21] Appl. No.: 341,221

[22] Filed: Jan. 21, 1982

[30] Foreign Application Priority Data

Jul. 27, 1981 [SE] Sweden 811626

[52] U.S. Cl. D8/373; D8/371

[58] Field of Search D6/114, 125; D8/373;
248/300, 301, 220.2, 220.3, 220.4

[56] References Cited

U.S. PATENT DOCUMENTS

- D. 184,508 3/1959 Burt D6/125
- D. 204,021 3/1966 Fierro de Bachman D8/373
- D. 207,933 6/1967 Brown D8/373

- D. 213,451 3/1969 White D6/125
- D. 242,511 11/1976 Enckler D8/373
- D. 268,500 4/1983 Kraus D6/125

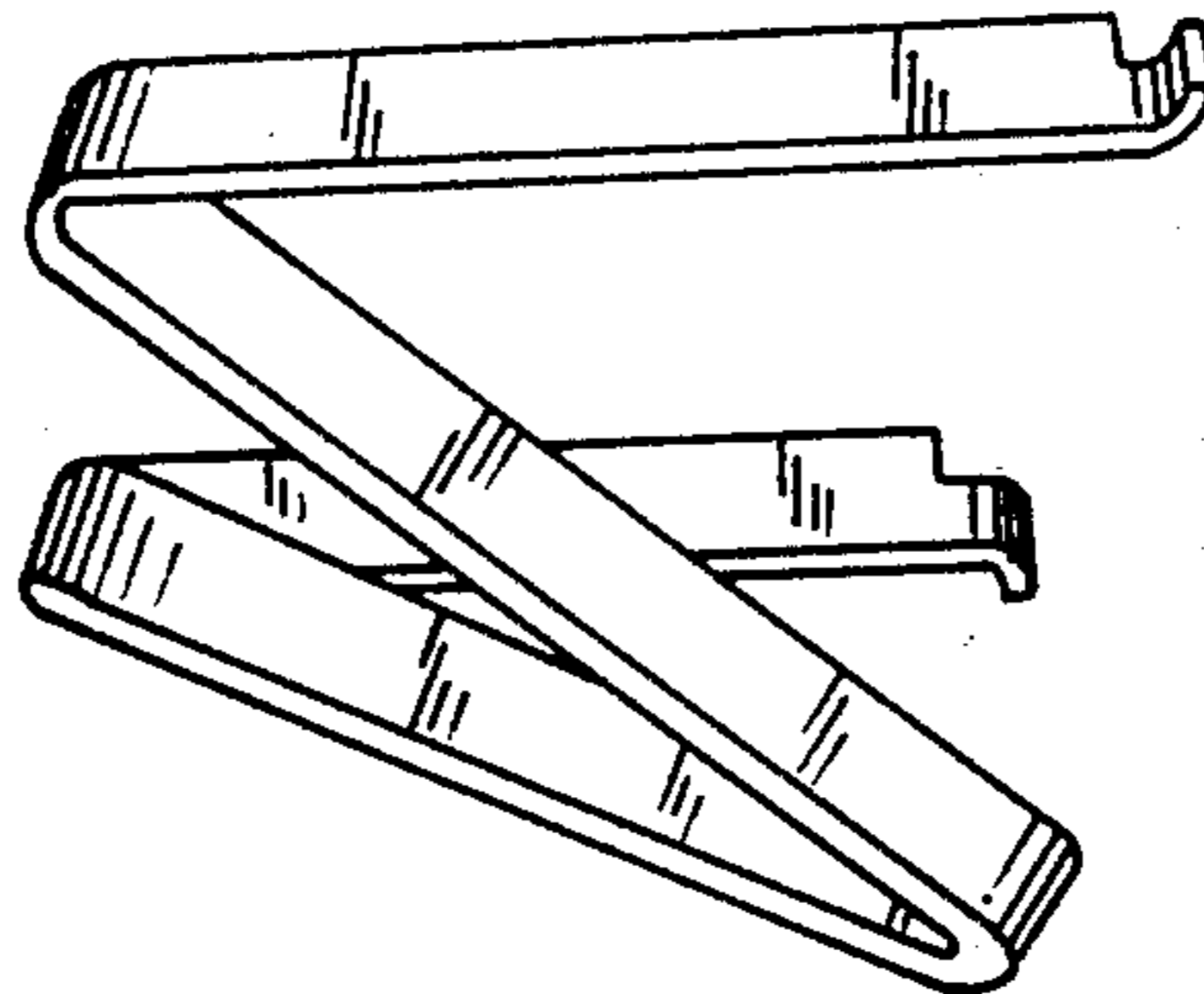
Primary Examiner—B. J. Bullock
Attorney, Agent, or Firm—Lerner, David, Littenberg,
Krumholz & Mentlik

[57] CLAIM

The ornamental design for a tool holder, substantially as shown and described.

DESCRIPTION

FIG. 1 is a front view of a tool holder showing my new design;
 FIG. 2 is a side view taken from the left of FIG. 1, the side opposite being a mirror image thereof;
 FIG. 3 is a top view thereof;
 FIG. 4 is a bottom perspective view thereof;
 FIG. 5 is a bottom view thereof;
 FIG. 6 is a rear view thereof.



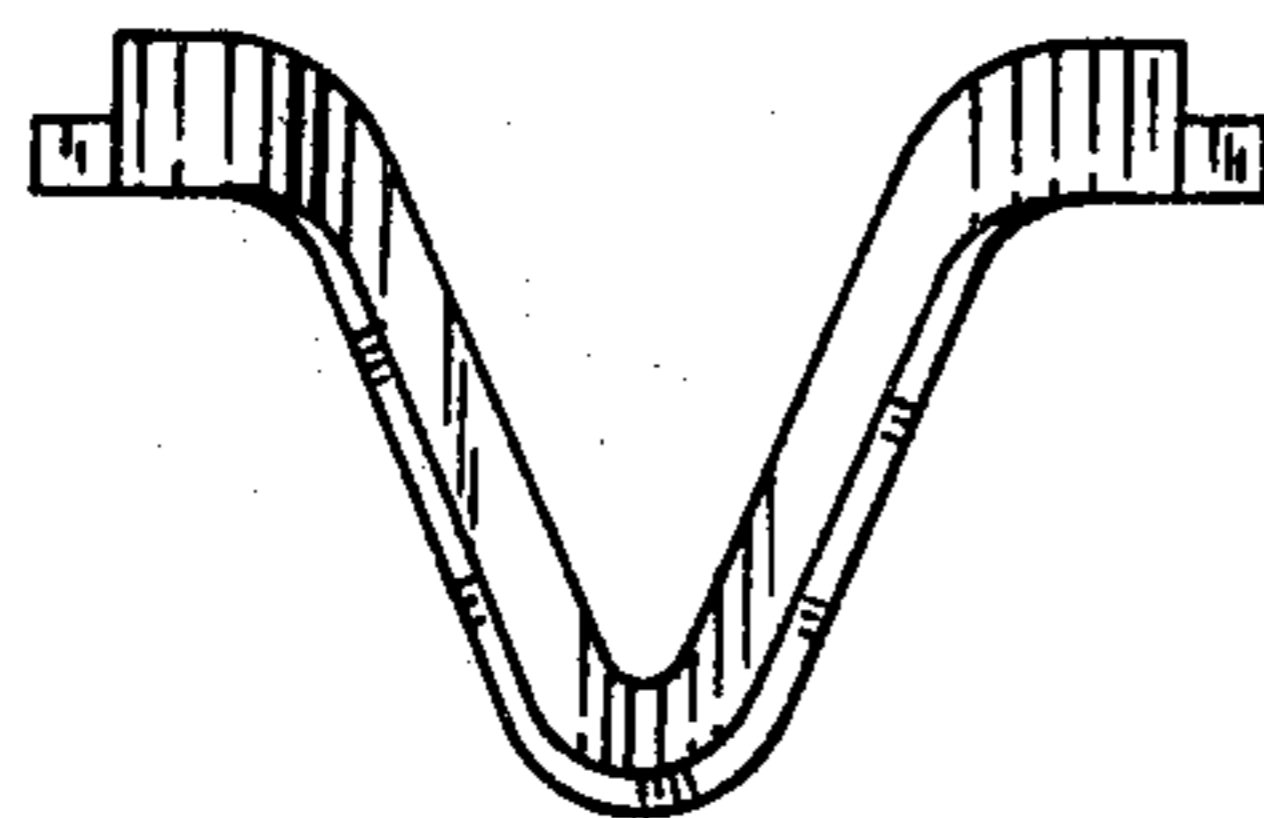


FIG. 1

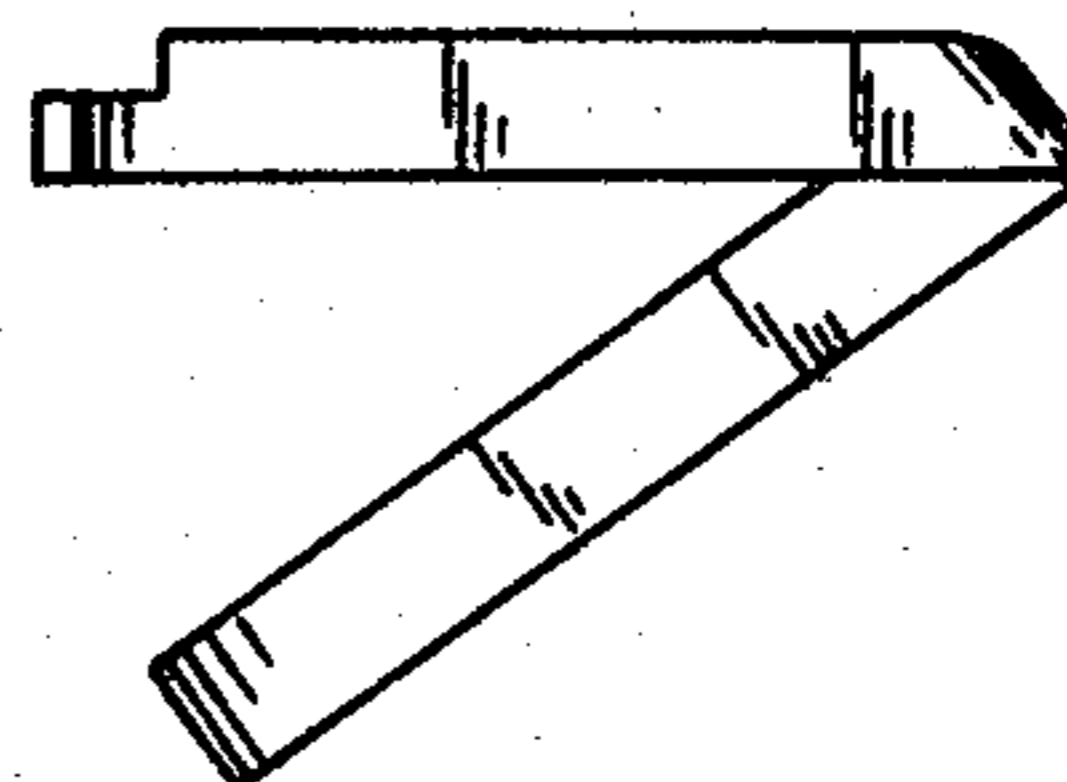


FIG. 2

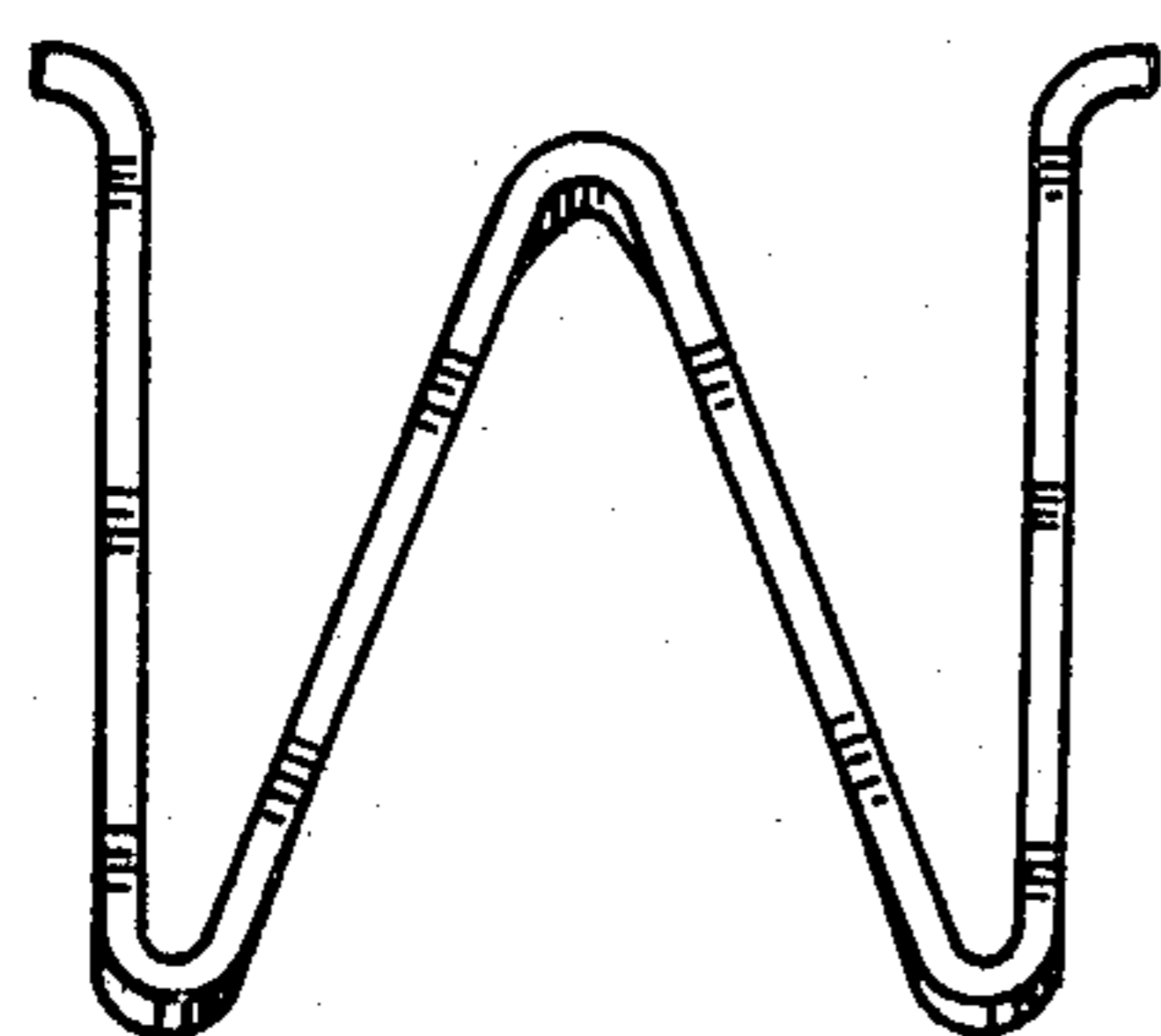


FIG. 3

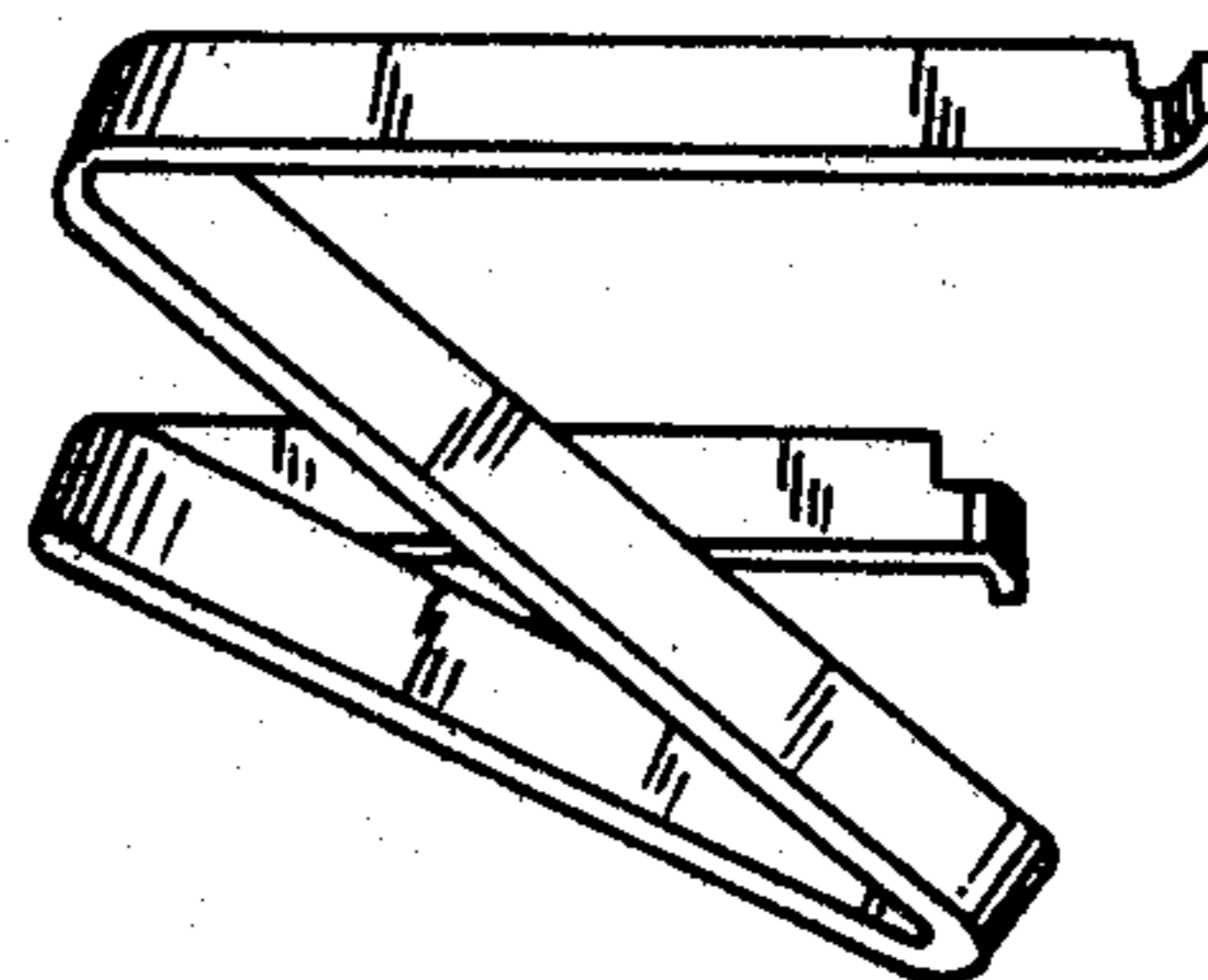


FIG. 4

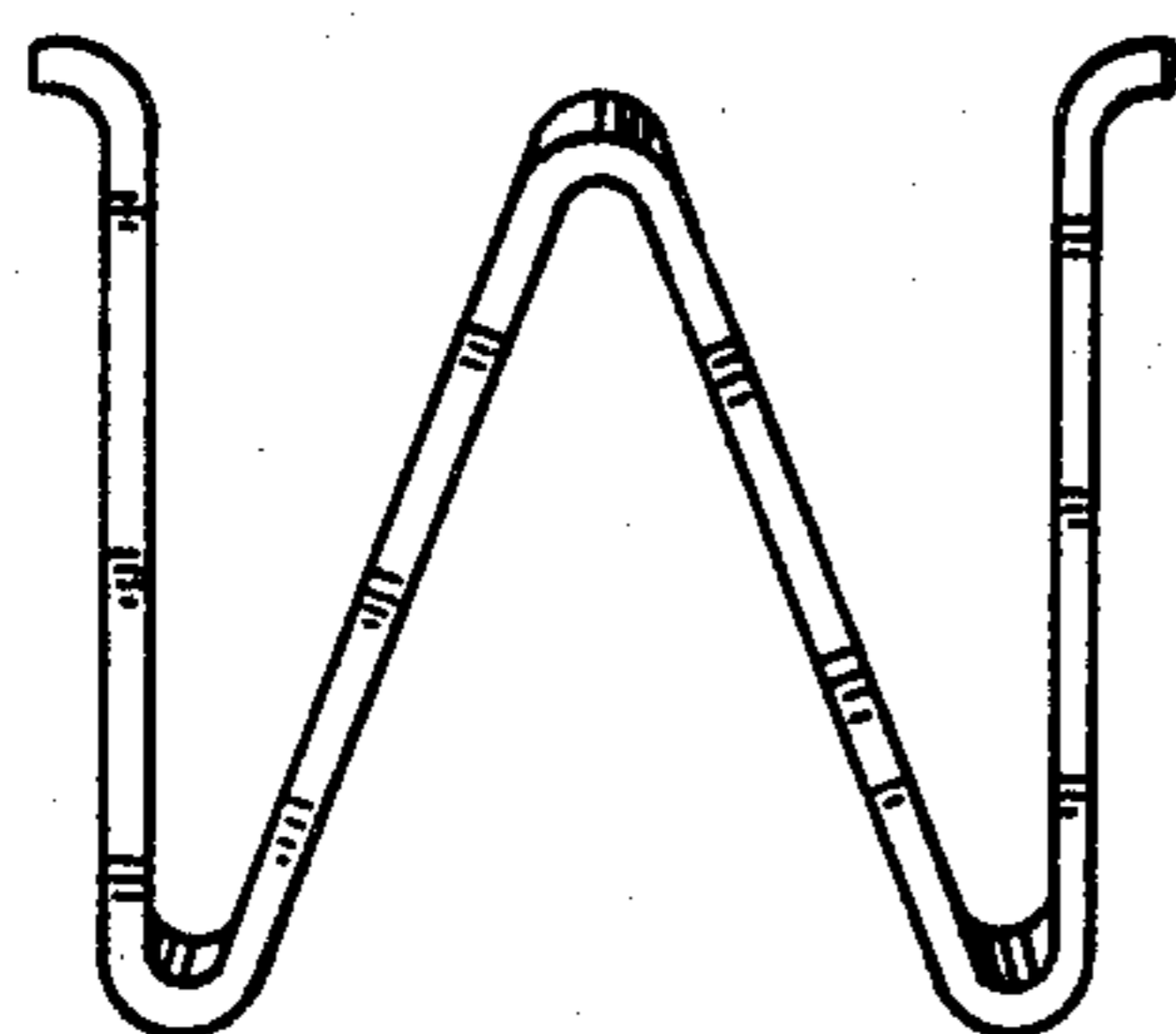


FIG. 5

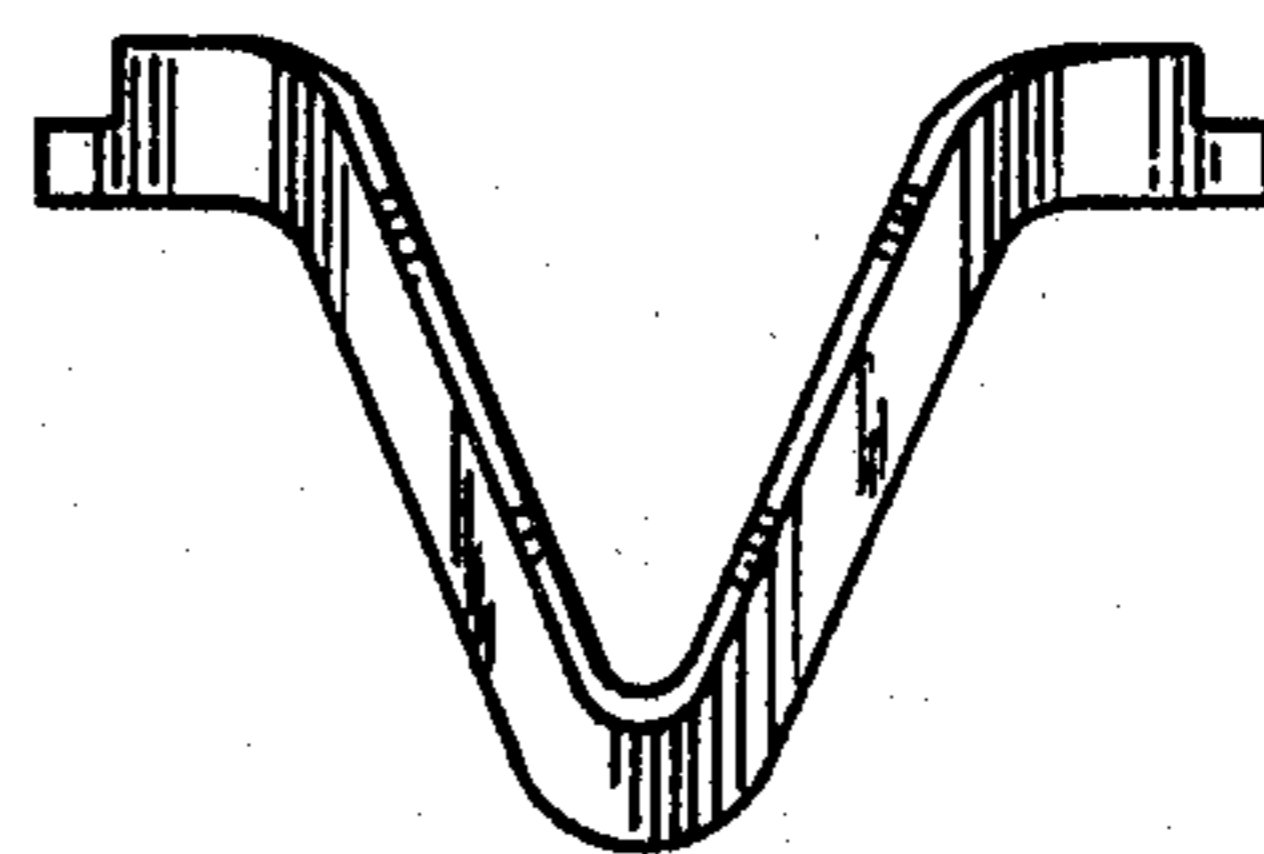


FIG. 6