

[54] **TABLE OR SIMILAR ARTICLE**

[75] **Inventor: Jack G. Dunbar, New York, N.Y.**

[73] **Assignee: Dunbar Furniture, Inc., Berne, Ind.**

[**] **Term: 14 Years**

[21] **Appl. No.: 383,413**

[22] **Filed: Jun. 1, 1982**

[52] **U.S. Cl. D6/483; D6/486**

[58] **Field of Search D6/20, 27, 146-149,
D6/161, 175, 177-179, 181**

[56] **References Cited**

U.S. PATENT DOCUMENTS

D. 158,890 6/1950 Murphy et al. D6/27
D. 229,255 11/1973 Workman et al. D6/27
D. 245,465 8/1977 Hindle D6/45

OTHER PUBLICATIONS

Intrex Cat., Jul. 1977, p. 51, Table No. 91402.

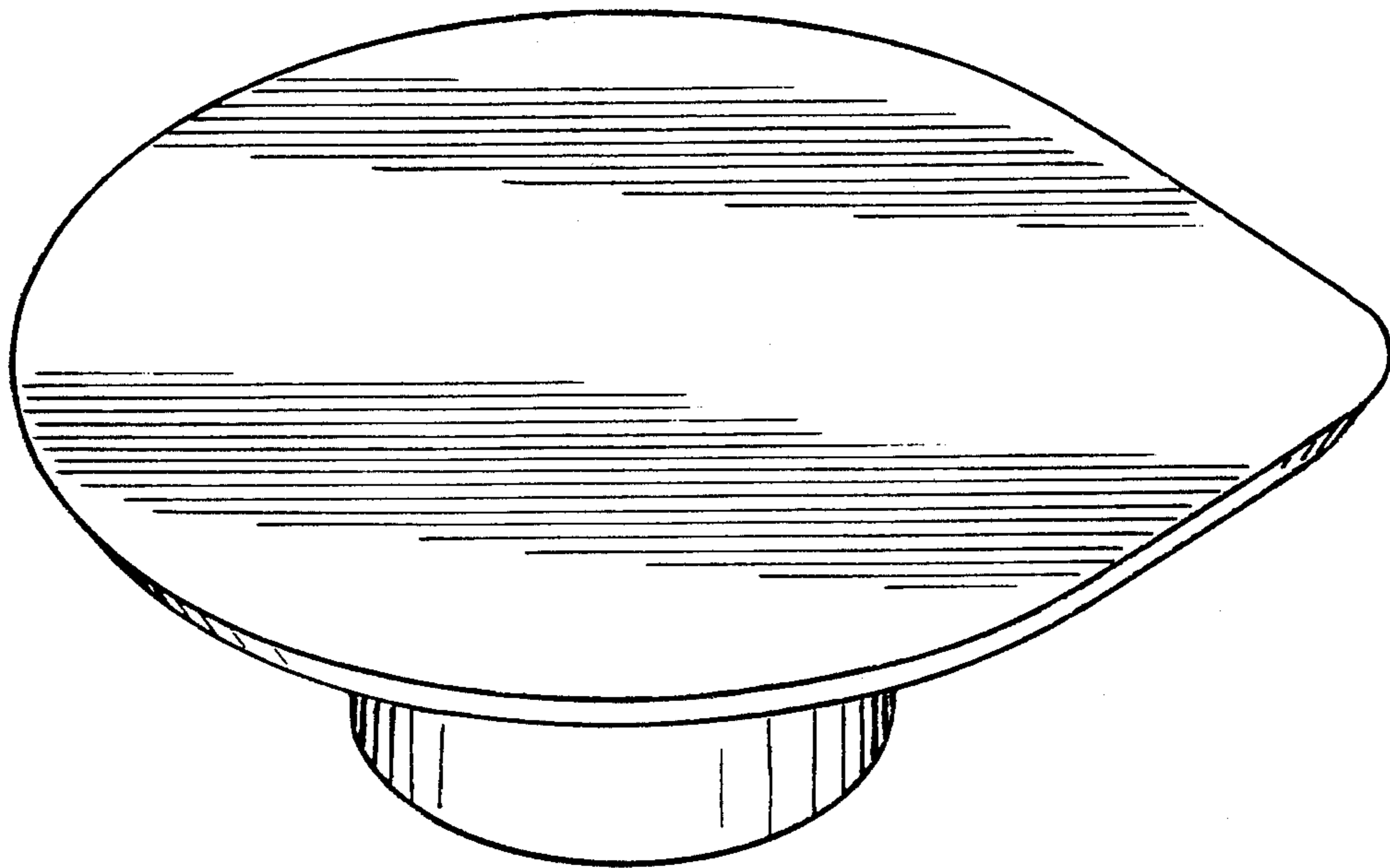
Primary Examiner—Bruce W. Dunkins
Attorney, Agent, or Firm—Peterson, Palmaiter, Sturm,
Sjoquist & Baker, Ltd.

[57] **CLAIM**

The ornamental design for a table or similar article,
substantially as shown and described.

DESCRIPTION

FIG. 1 is a perspective view of a table or similar article showing my new design;
FIG. 2 is a top plan view thereof;
FIG. 3 is a front elevational view thereof;
FIG. 4 is a rear elevational view thereof;
FIG. 5 is a side elevational view thereof, the opposite side being substantially a mirror image thereof;
FIG. 6 is a bottom plan view thereof; and
FIG. 7 is a sectional view on a larger scale, taken along line 7—7 of FIG. 2.



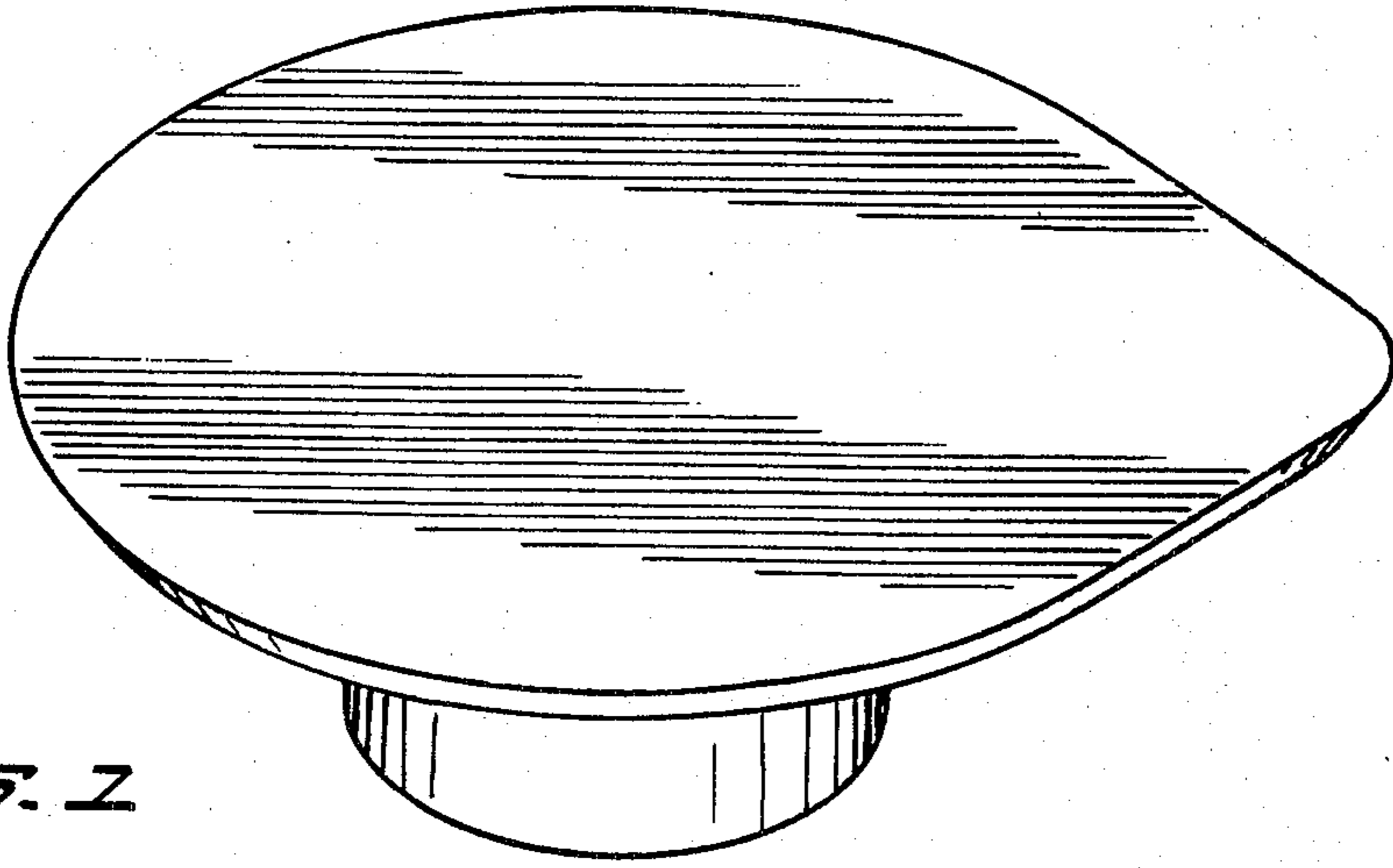


FIG. 1

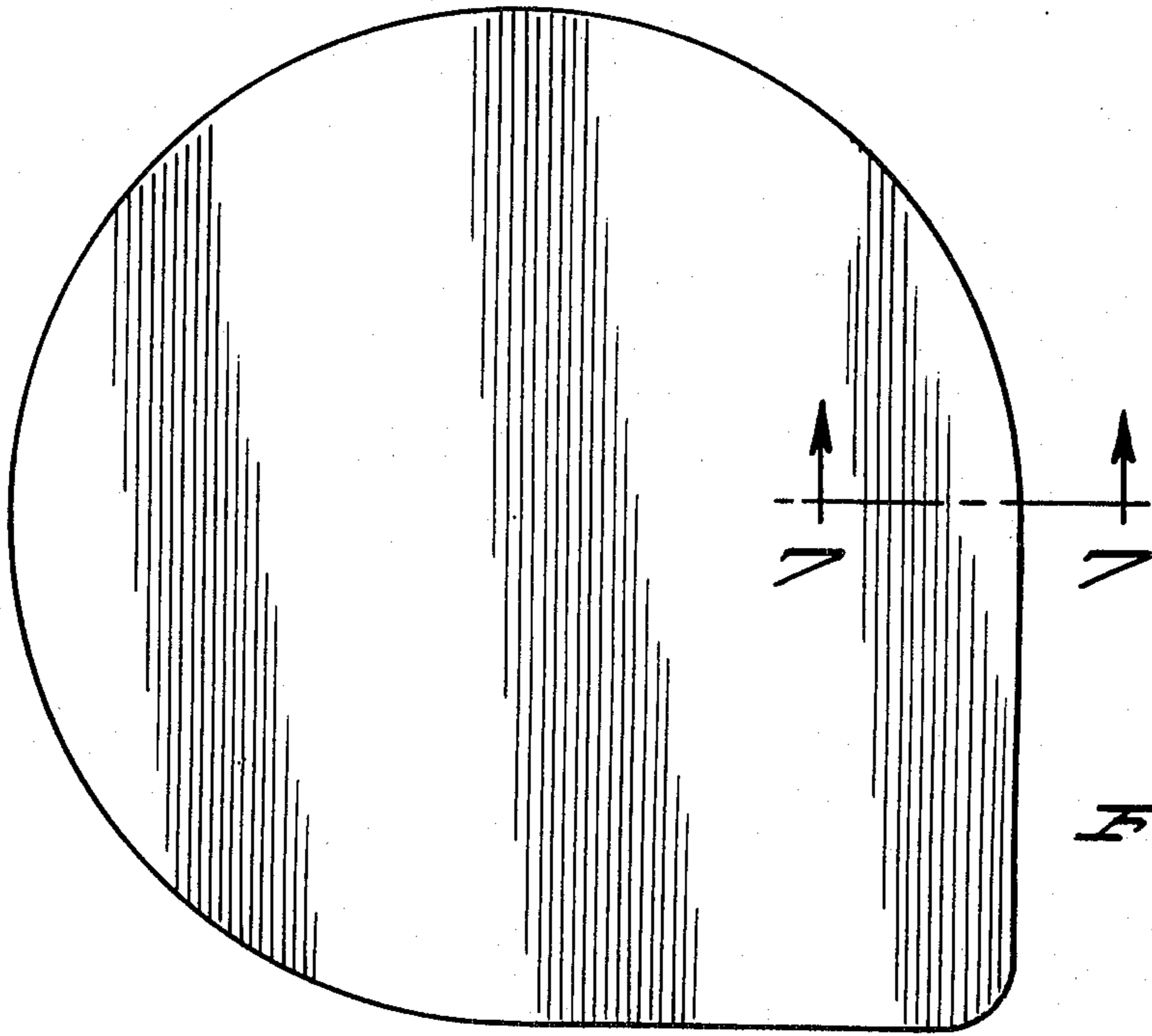


FIG. 2

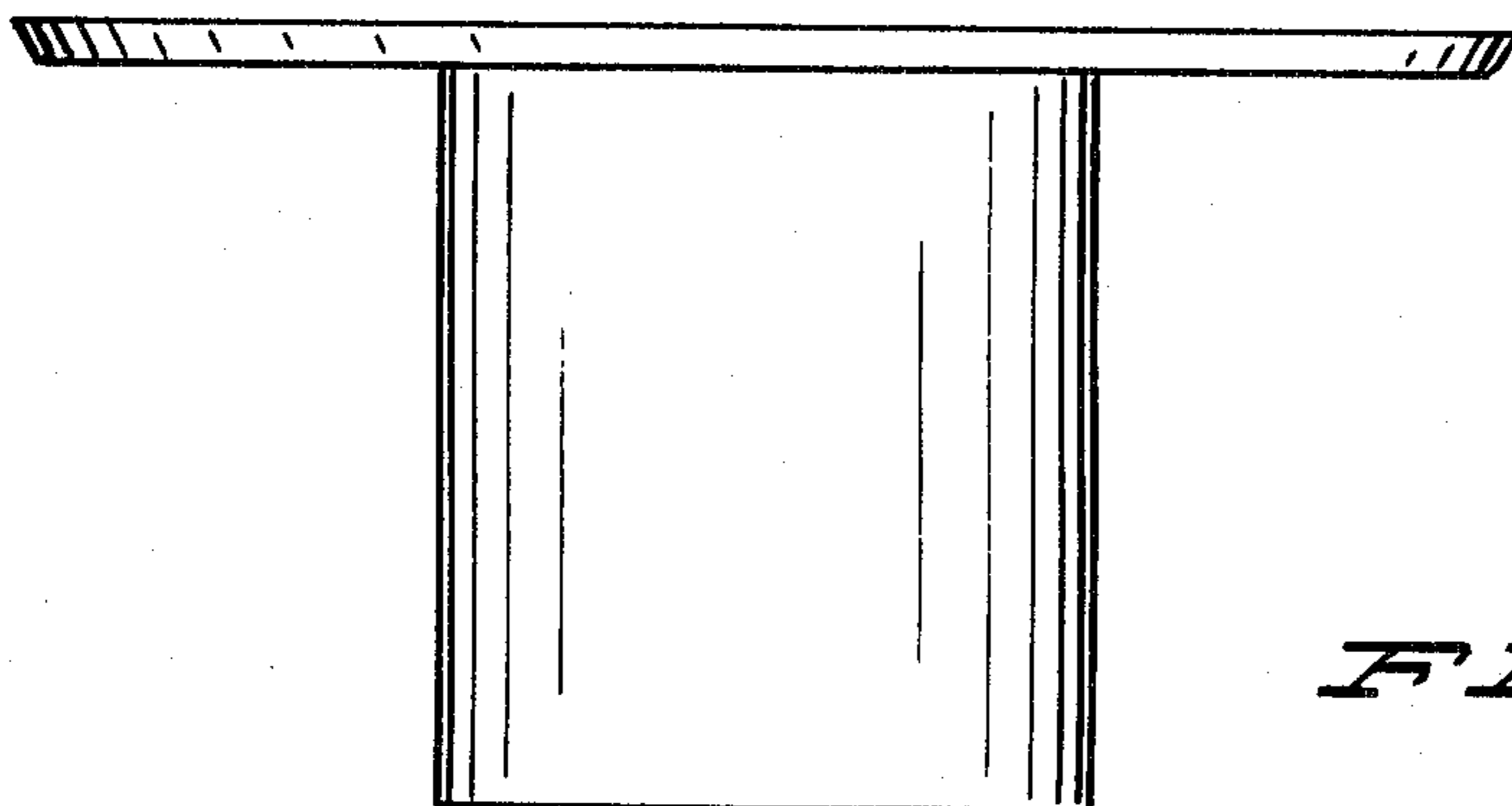


FIG. 3

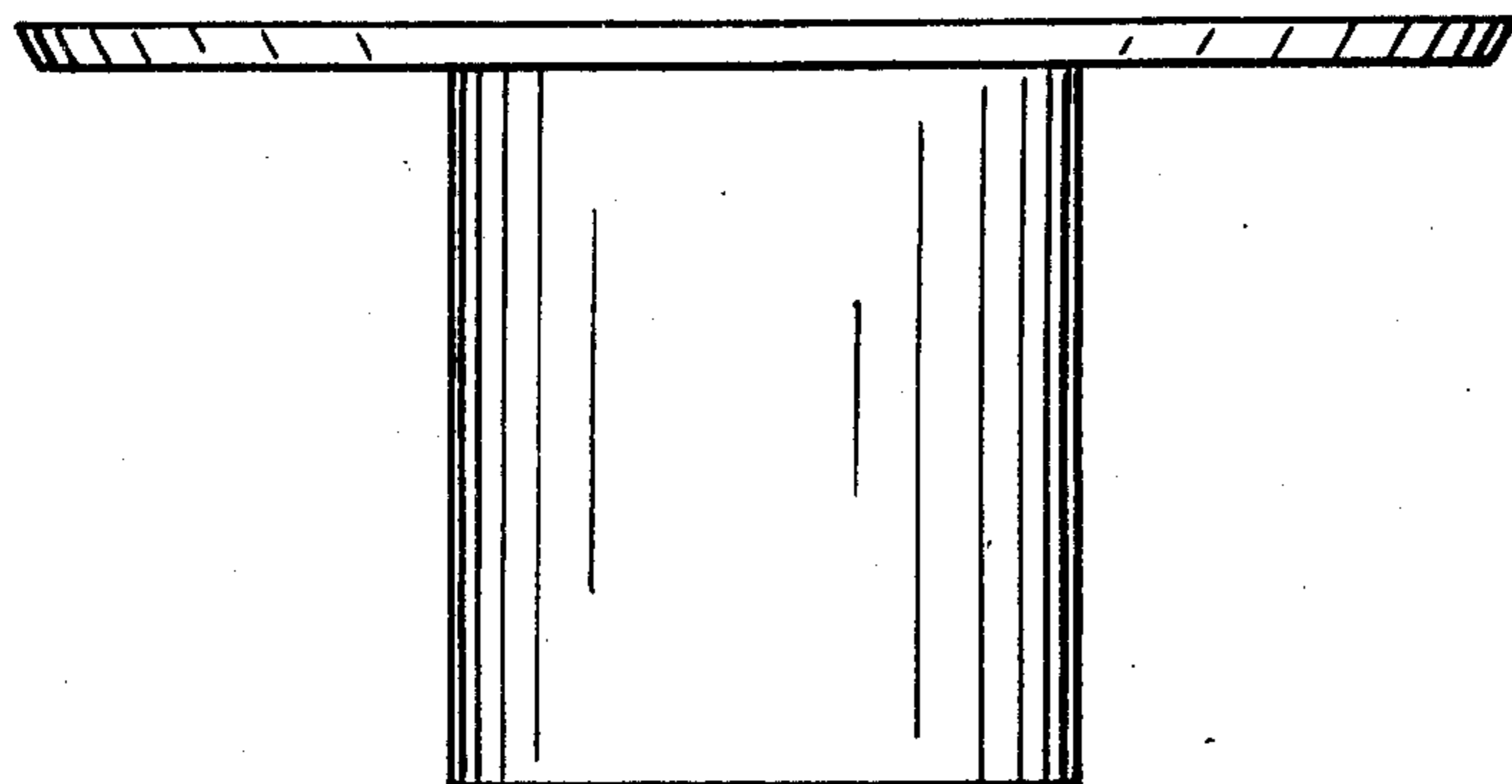


FIG. 4

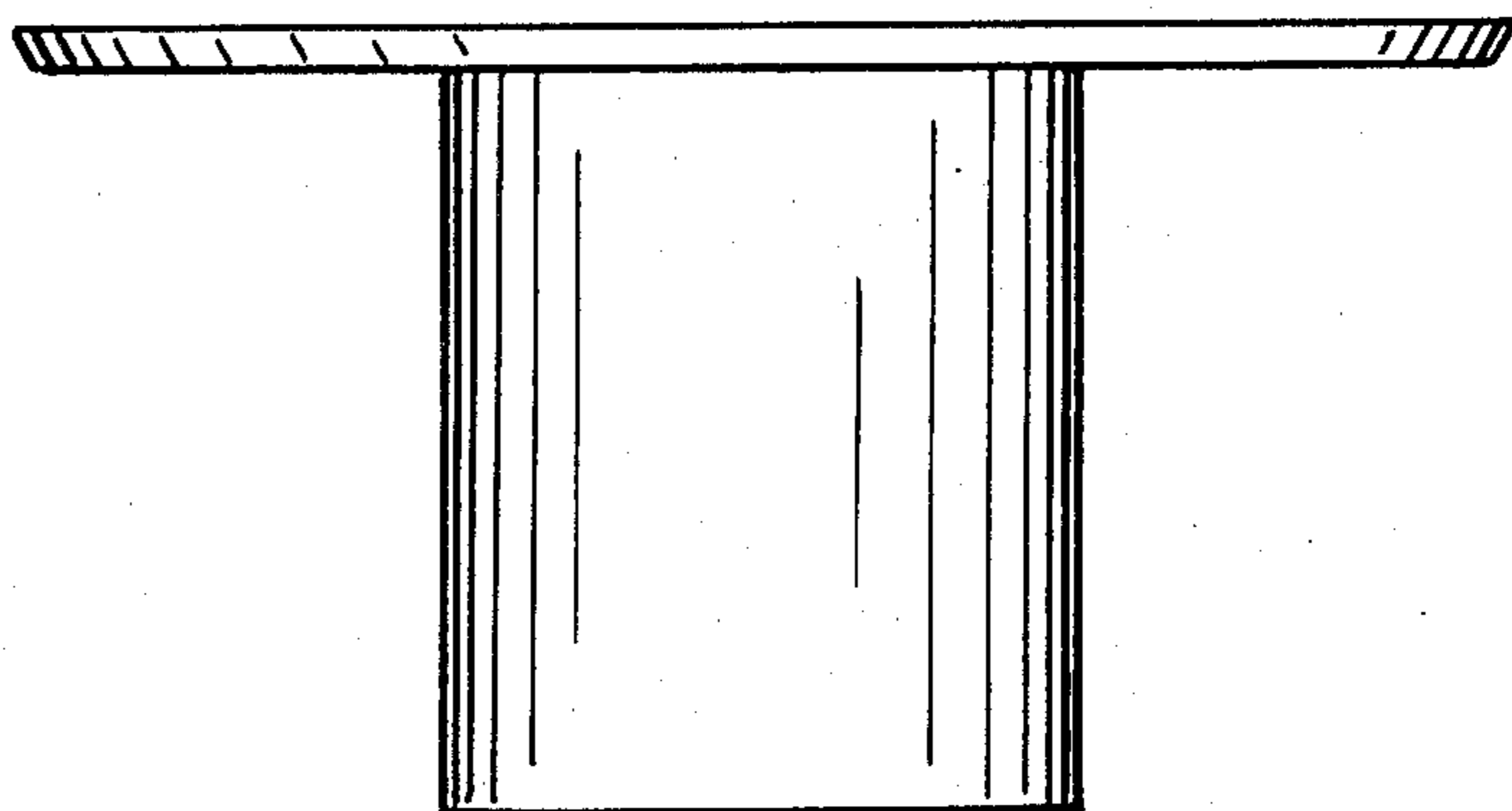


FIG. 5

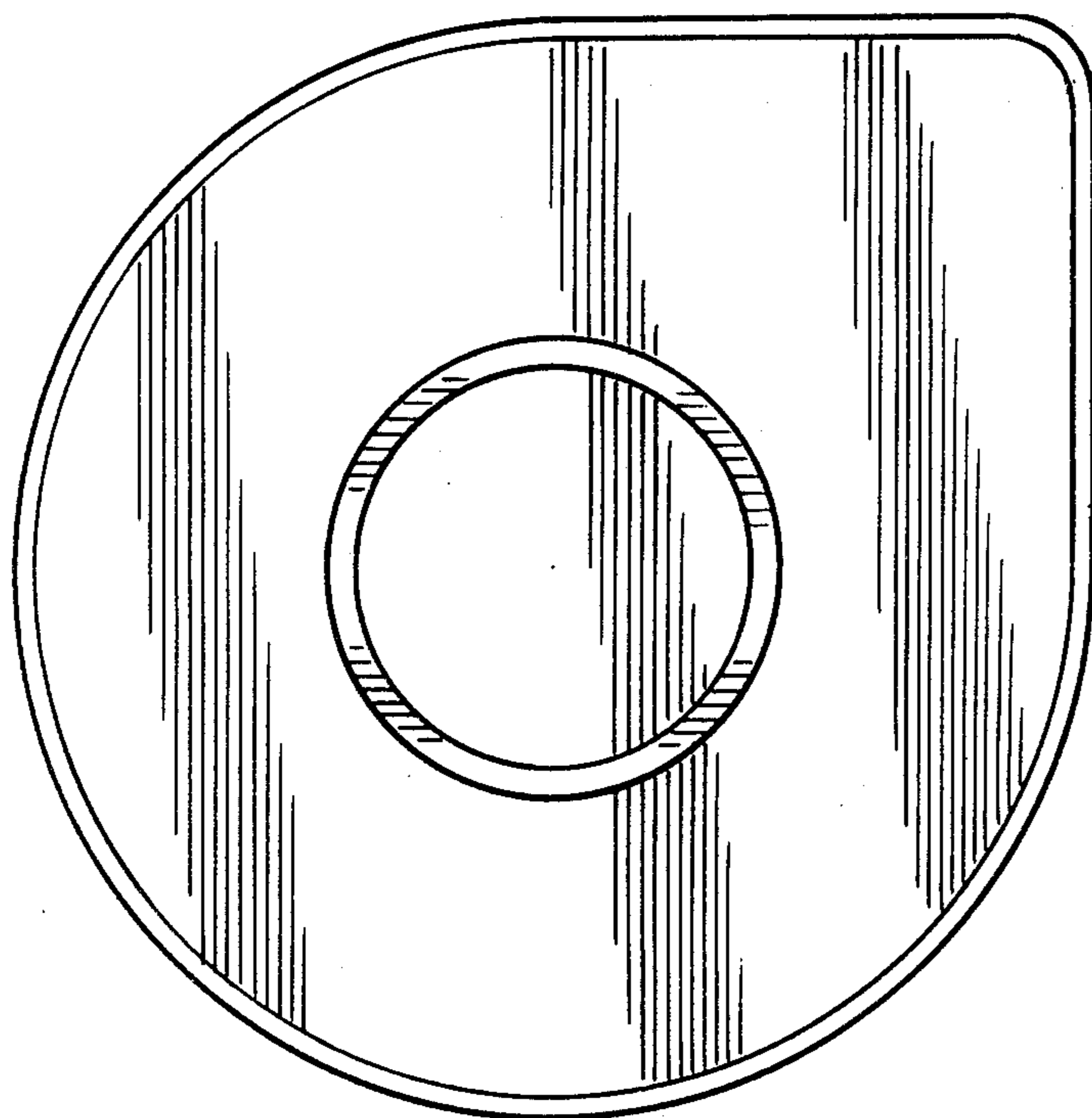


FIG. 6

FIG. 7

