

[54] **TESTER CASE**

[76] Inventor: Eugene T. McKinnon, P.O. Box 1630,
Santa Monica, Calif. 90406

[**] Term: 14 Years

[21] Appl. No.: 388,707

[22] Filed: Jun. 15, 1982

[52] U.S. Cl. D3/72; D3/74

[58] Field of Search D3/30.1, 33, 35, 39,
D3/72-74, 78; 206/569, 305

[56] **References Cited**

U.S. PATENT DOCUMENTS

D. 205,580	8/1966	Schurman	D3/74
D. 209,372	11/1967	Schurman	D3/72
D. 216,853	3/1970	Schurman	D3/72
D. 220,021	2/1971	Bruening	D3/74

Primary Examiner—George P. Word
Attorney, Agent, or Firm—Cislo, O'Reilly & Thomas

[57] **CLAIM**

The ornamental design for a tester case, as shown and described.

DESCRIPTION

FIG. 1 is a front elevational view of a tester case showing my new design;

FIG. 2 is a side elevational view thereof;

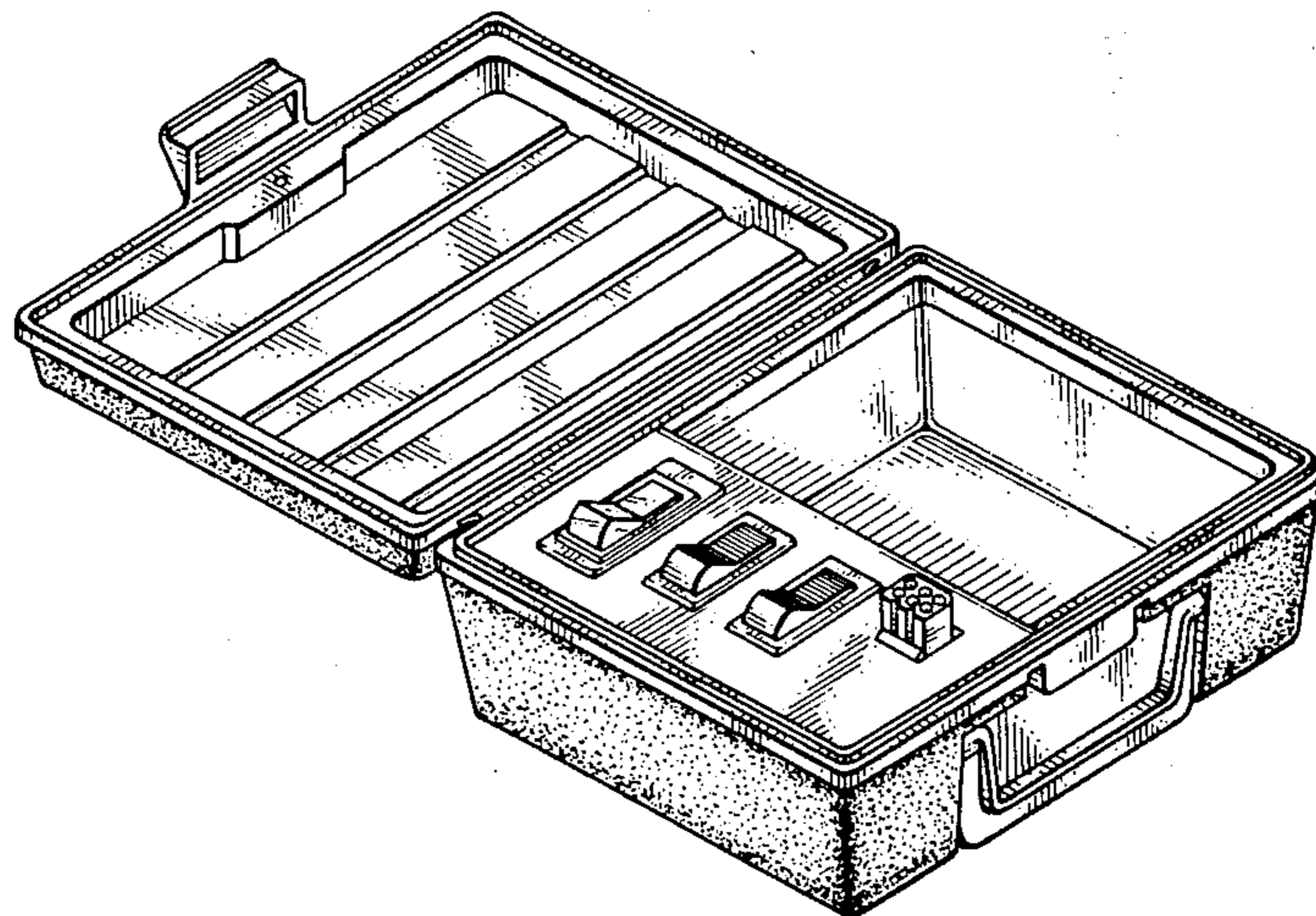
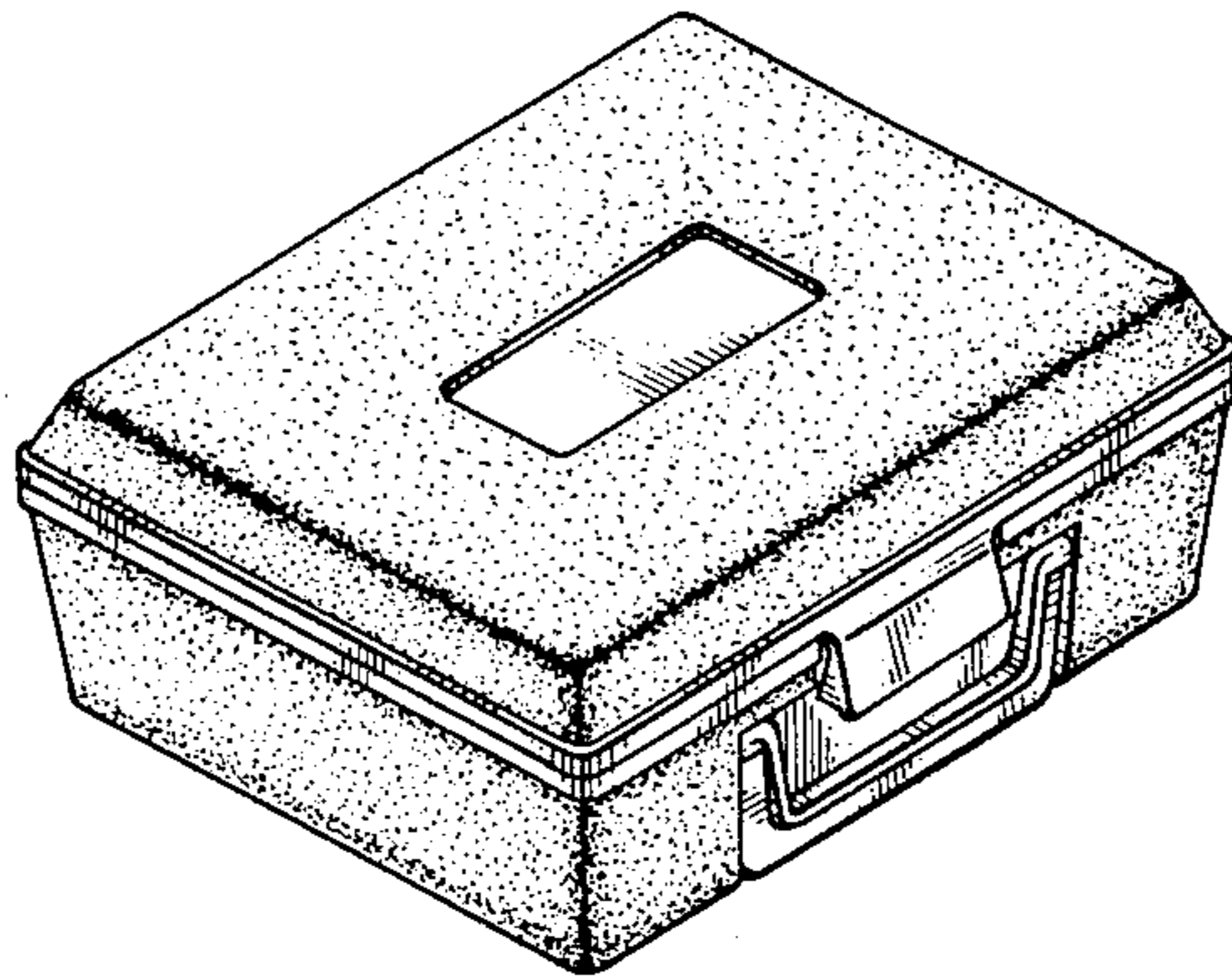
FIG. 3 is a rear elevational view thereof;

FIG. 4 is a top plan view thereof;

FIG. 5 is a bottom plan view thereof;

FIG. 6 is a perspective view thereof in the closed position; and

FIG. 7 is a perspective view thereof in the open position.



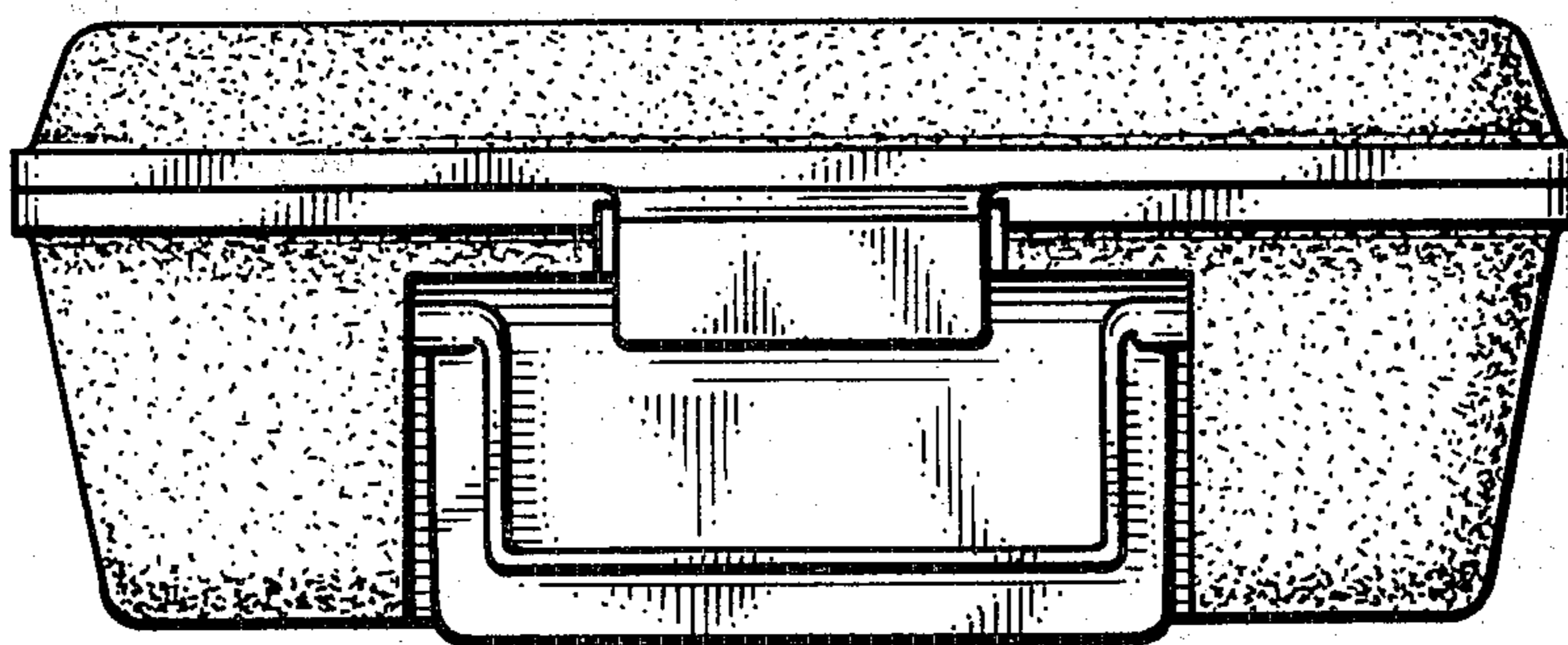


Fig. 1.

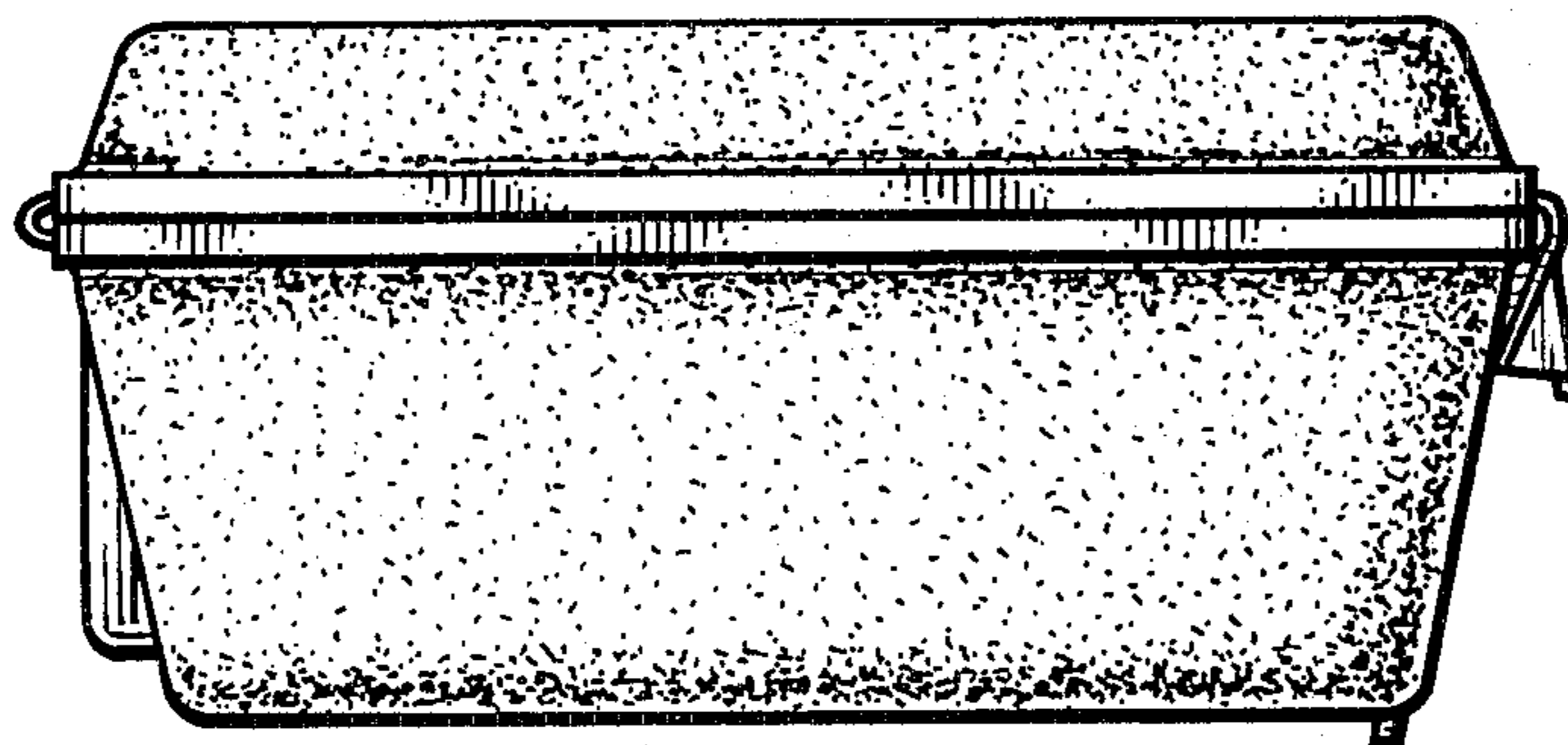


Fig. 2.

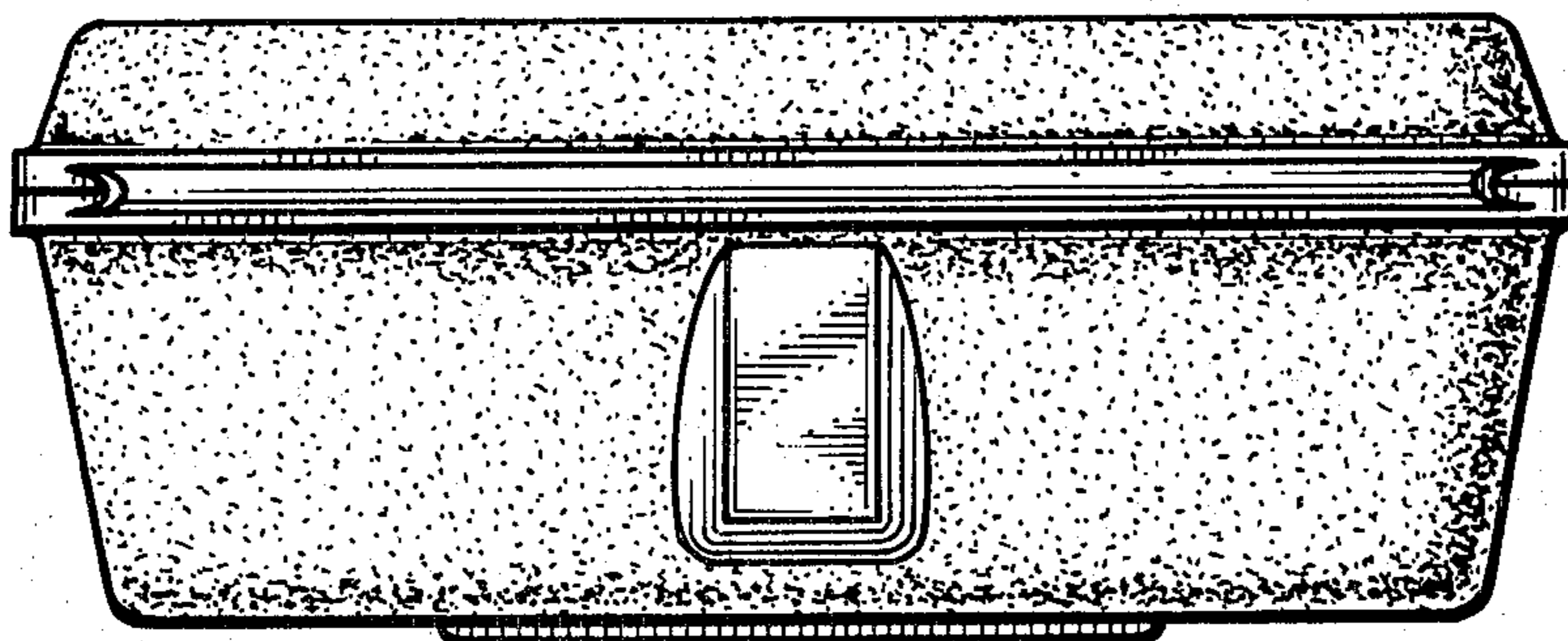


Fig. 3.

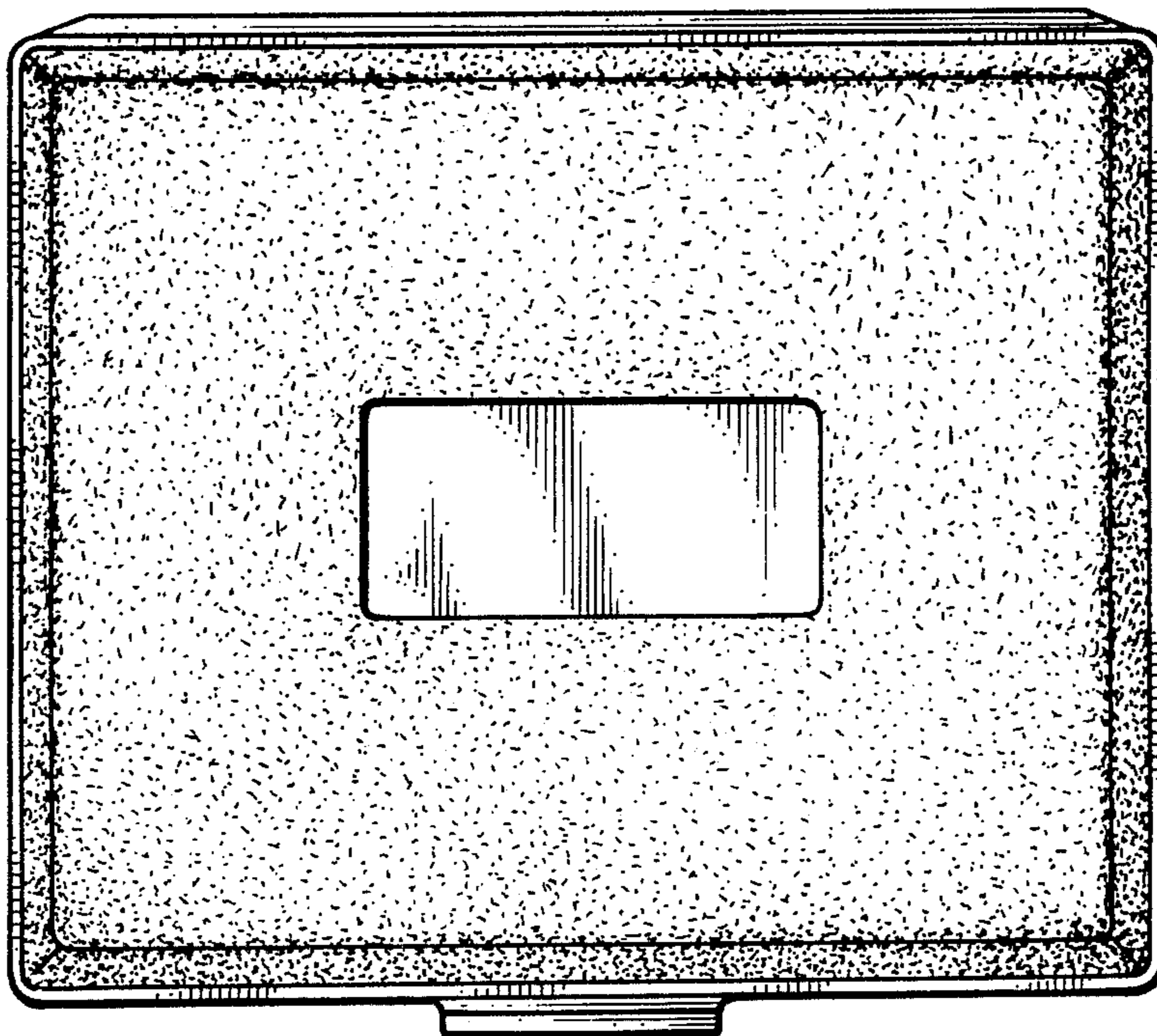


Fig. 4.

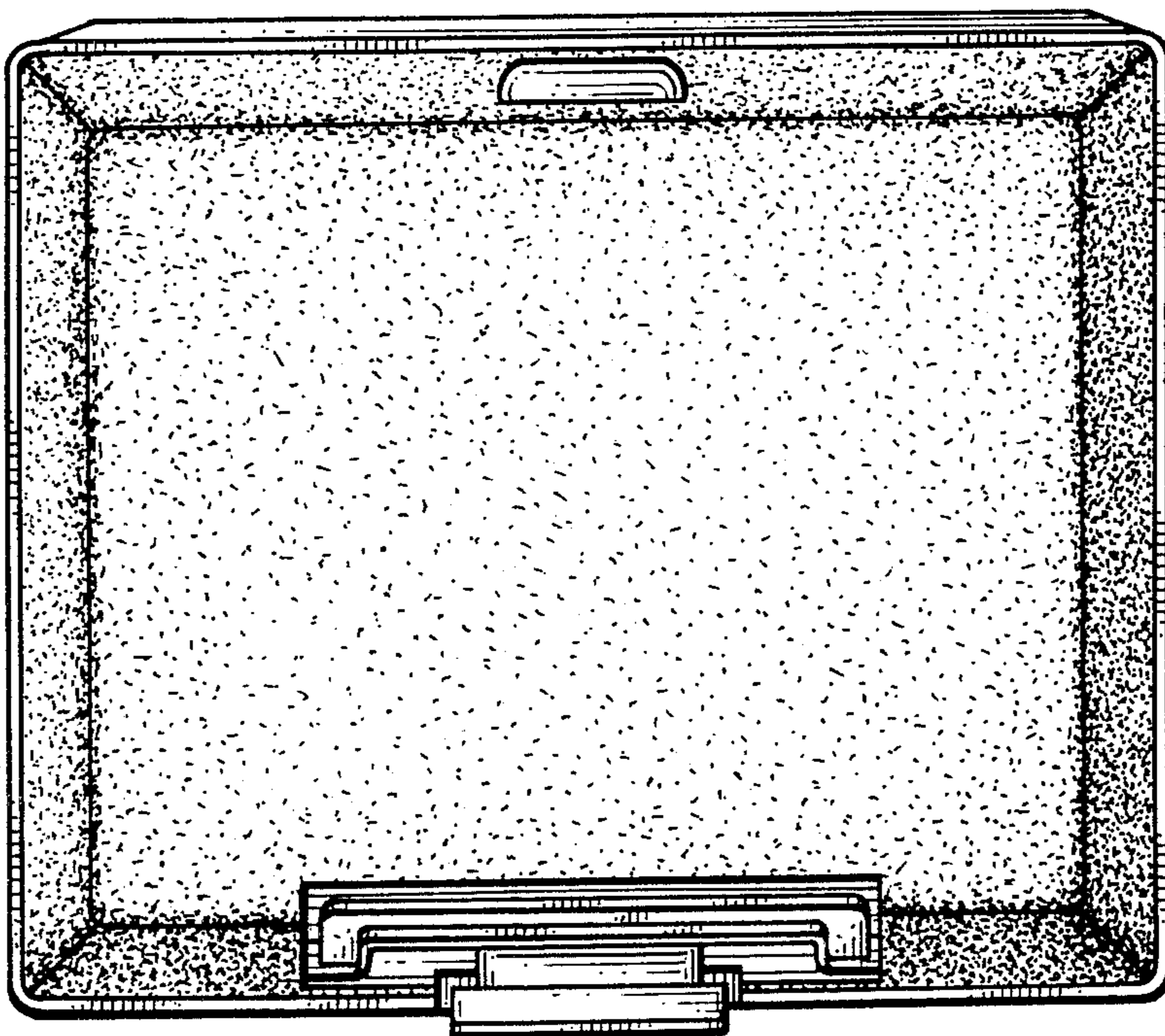


Fig. 5.

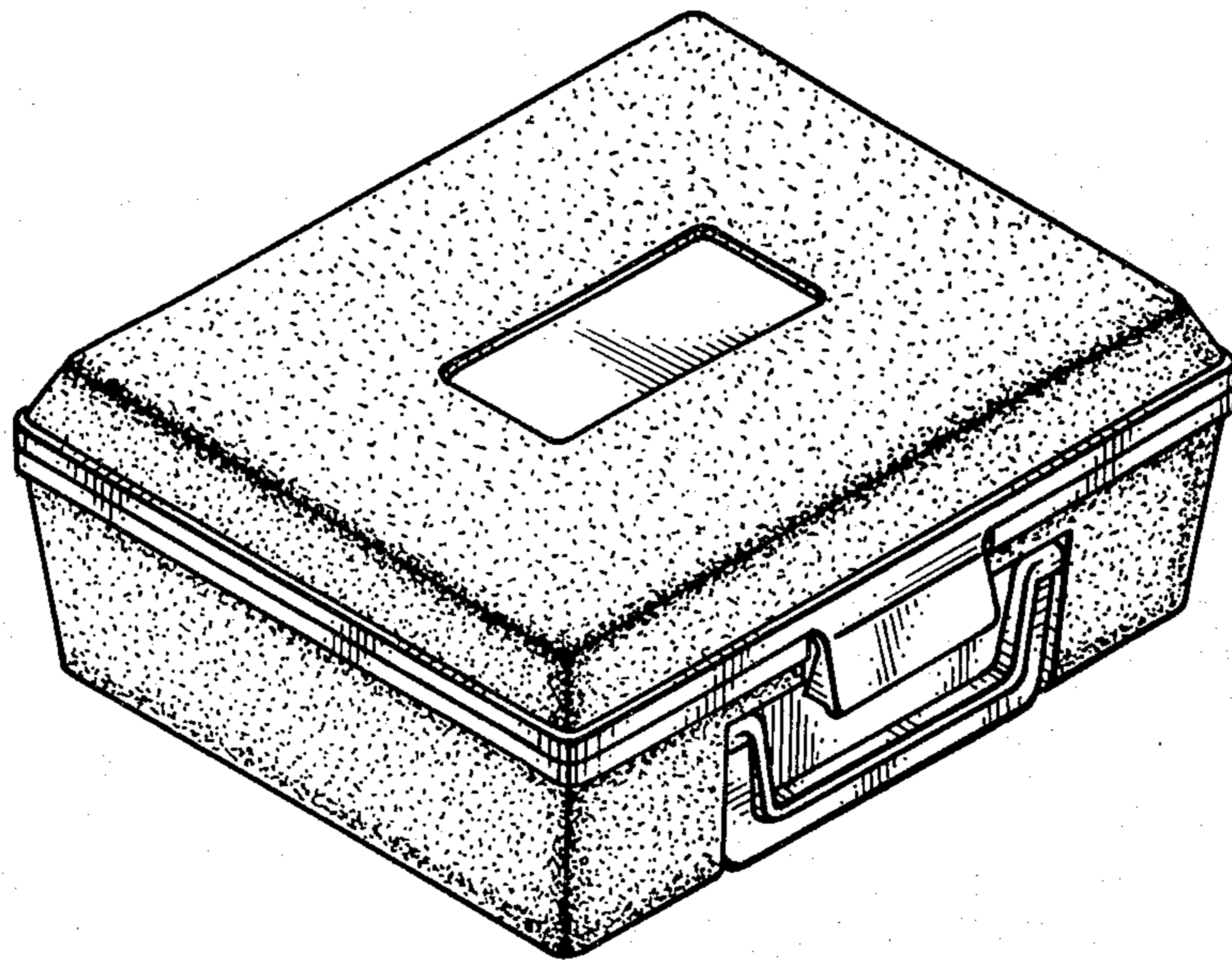


Fig. 6.

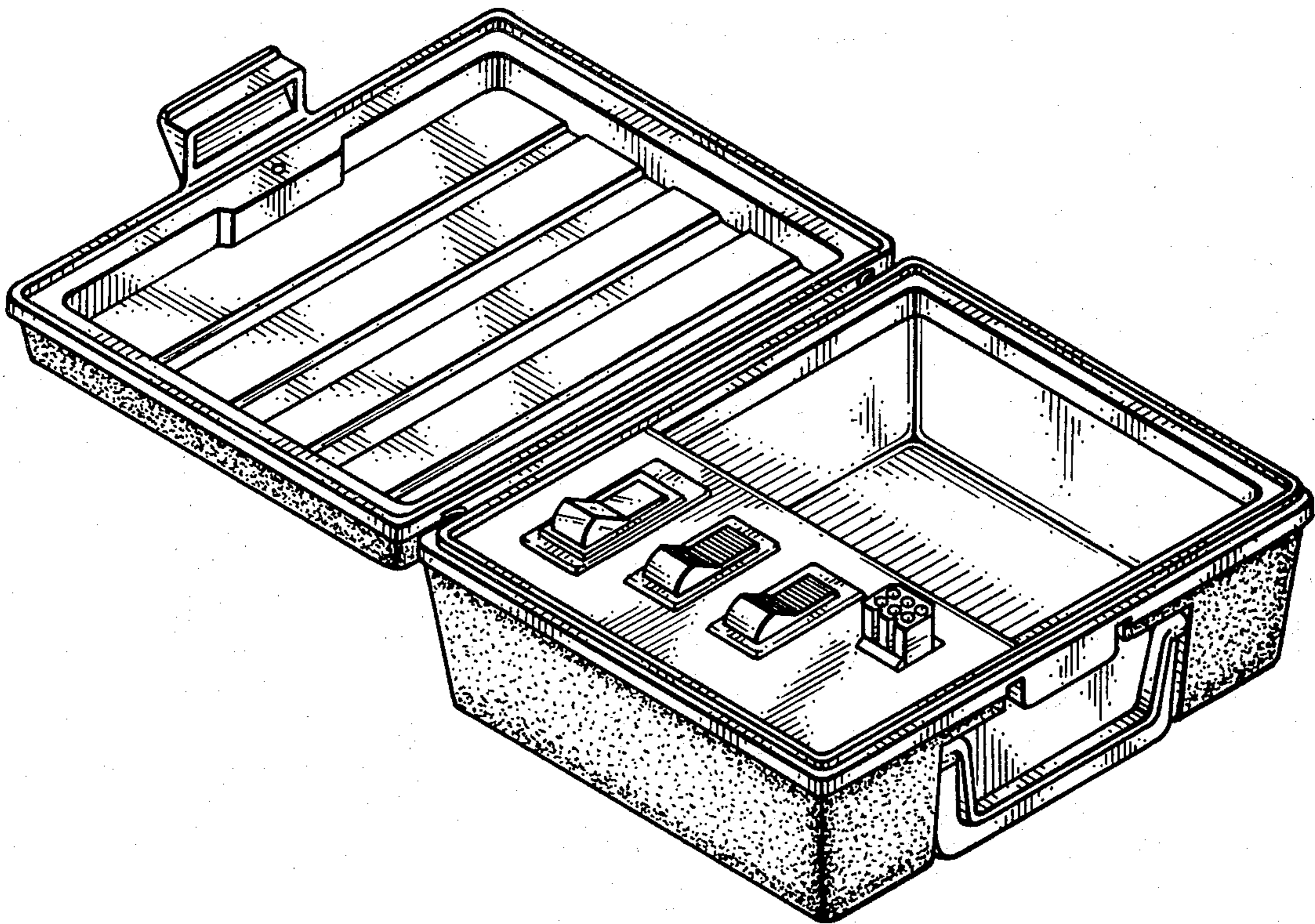


Fig. 7.