

[54] FISHING REEL PROTECTIVE CASE

[57] CLAIM

[76] Inventor: Larry A. Bailey, 895 Clara, Palo Alto, Calif. 94303

The ornamental design for a fishing reel protective case, as shown and described.

[**] Term: 14 Years

DESCRIPTION

[21] Appl. No.: 403,941

FIG. 1 is a perspective view of my fishing reel protective case showing a fishing rod and line in phantom; FIG. 2 is a top plan view of my fishing reel protective case;

[22] Filed: Jul. 30, 1982

FIG. 3 is a front elevational view of my fishing reel protective case showing a latch and a cutout for a fishing reel shank;

[52] U.S. Cl. D3/38; D22/23

FIG. 4 is a left side elevational view of my fishing reel protective case showing a hinge;

[58] Field of Search 43/26, 25; 220/4, 4 E; D22/23; D3/38

FIG. 5 is a rear elevational view of my fishing reel protective case showing a hinge;

[56] References Cited

U.S. PATENT DOCUMENTS

- 2,591,674 4/1952 Chalker 43/26 X
- 4,034,926 7/1977 Wegner 220/4 E X
- 4,294,299 10/1981 Dorsen et al. 220/4 E X

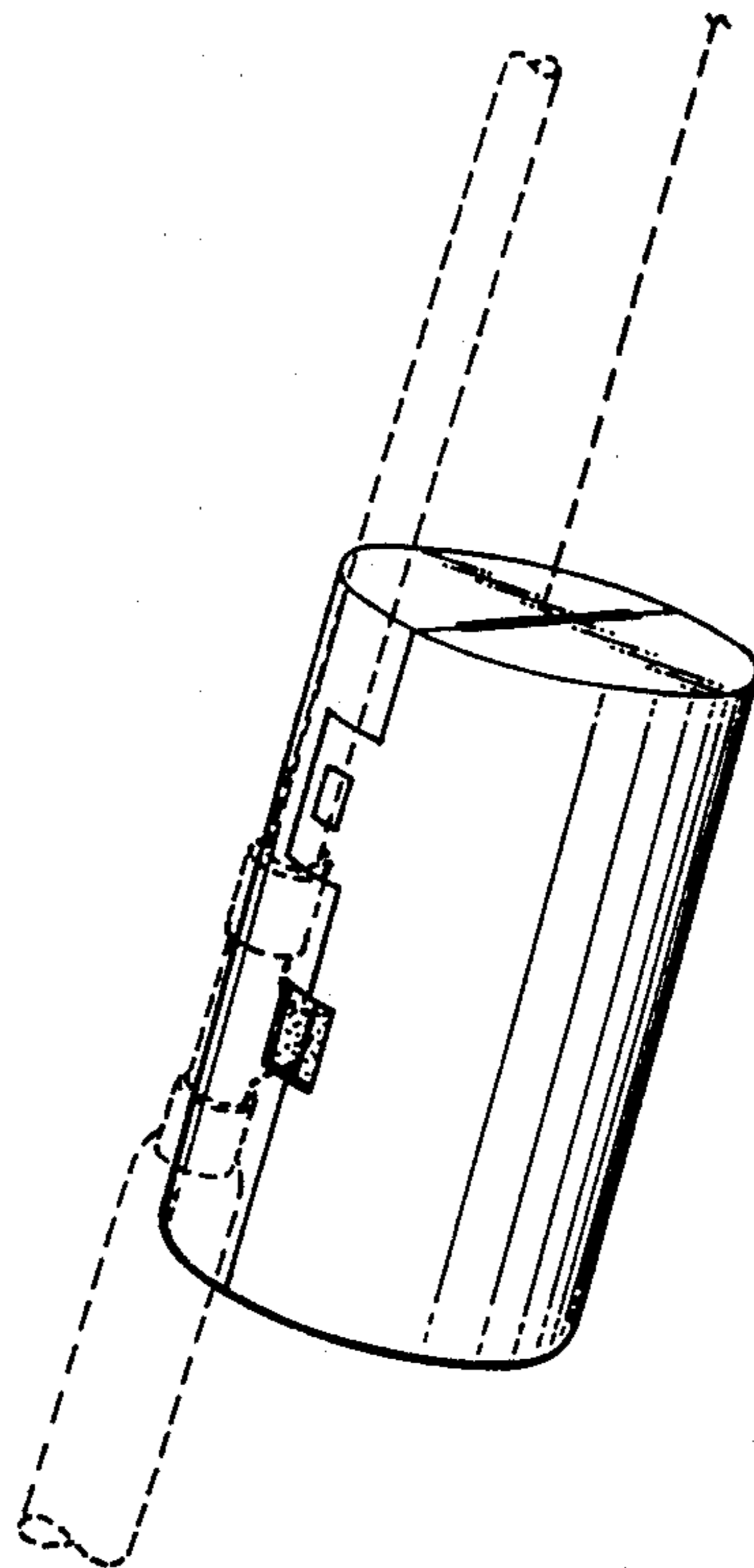
FIG. 6 is a right side elevational view of my fishing reel protective case showing a hinge;

FIG. 7 is a bottom plan view of my fishing reel protective case; and

Primary Examiner—A. Hugo Word
Attorney, Agent, or Firm—Townsend and Townsend

FIG. 8 is a perspective view of my fishing reel protective case in an open position showing in detail the design features of the hinges and latch.

The broken lines in FIG. 1 are for illustration purposes only and form no part of the claimed design.



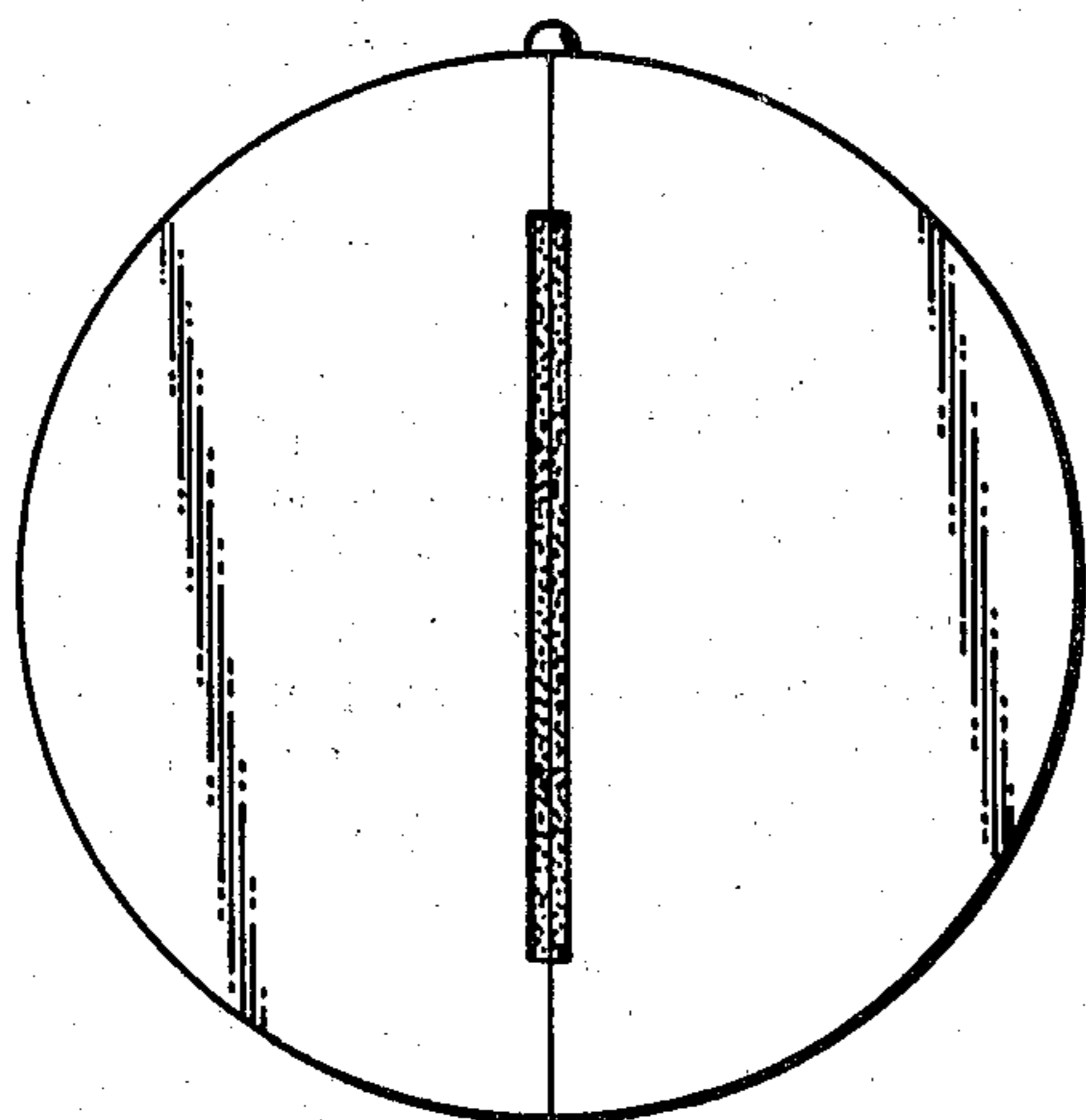


FIG. 2.

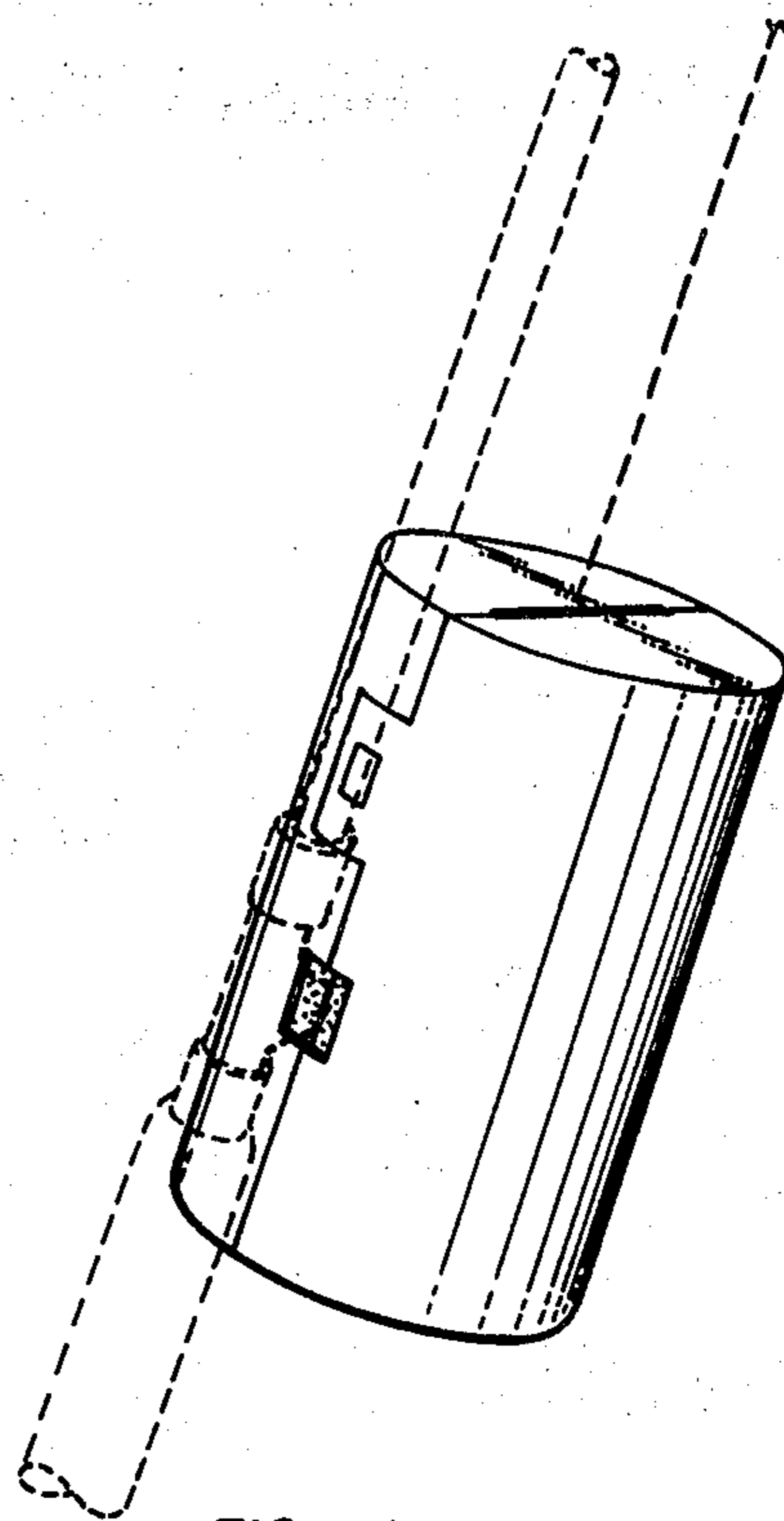


FIG. 1.

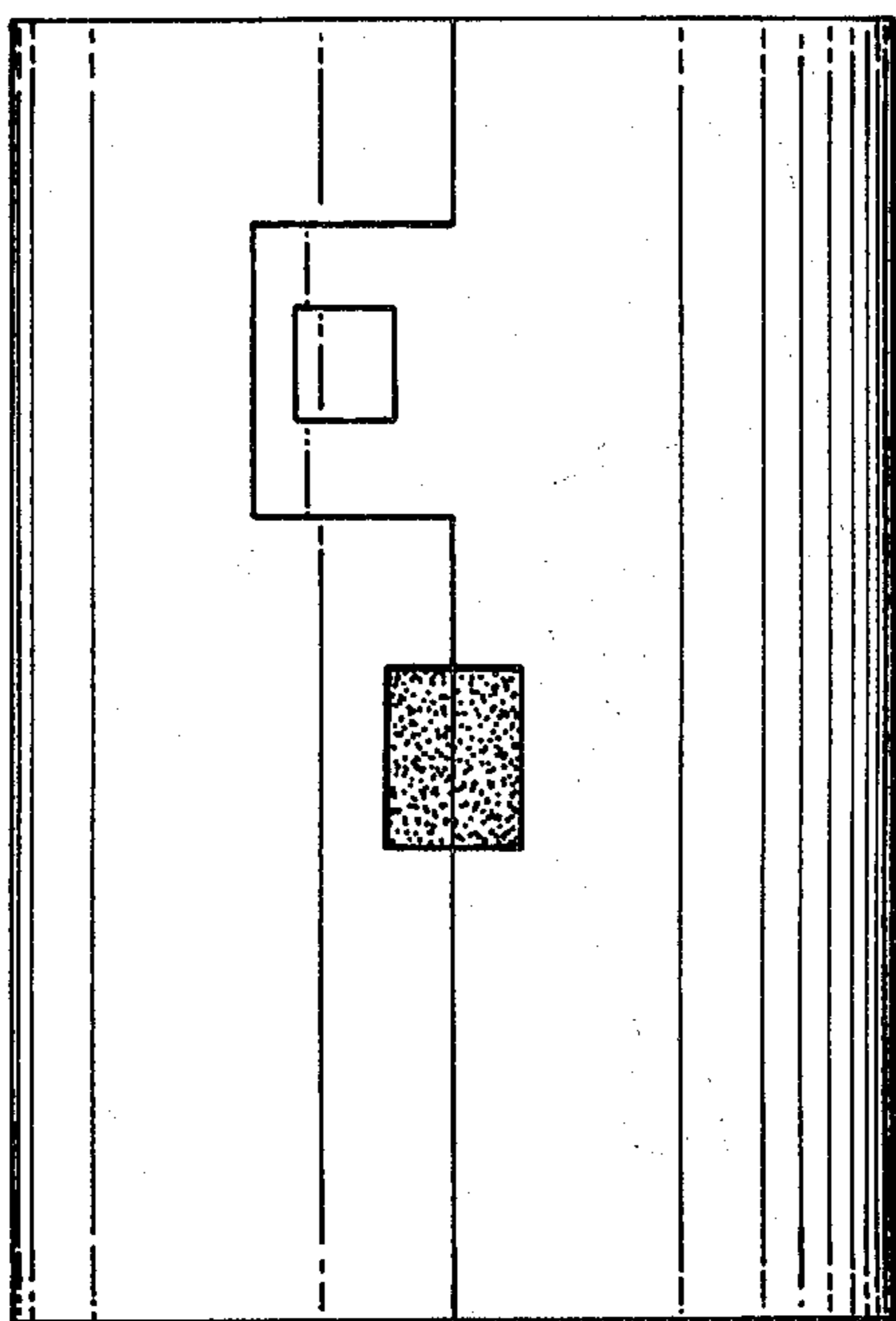


FIG. 3.

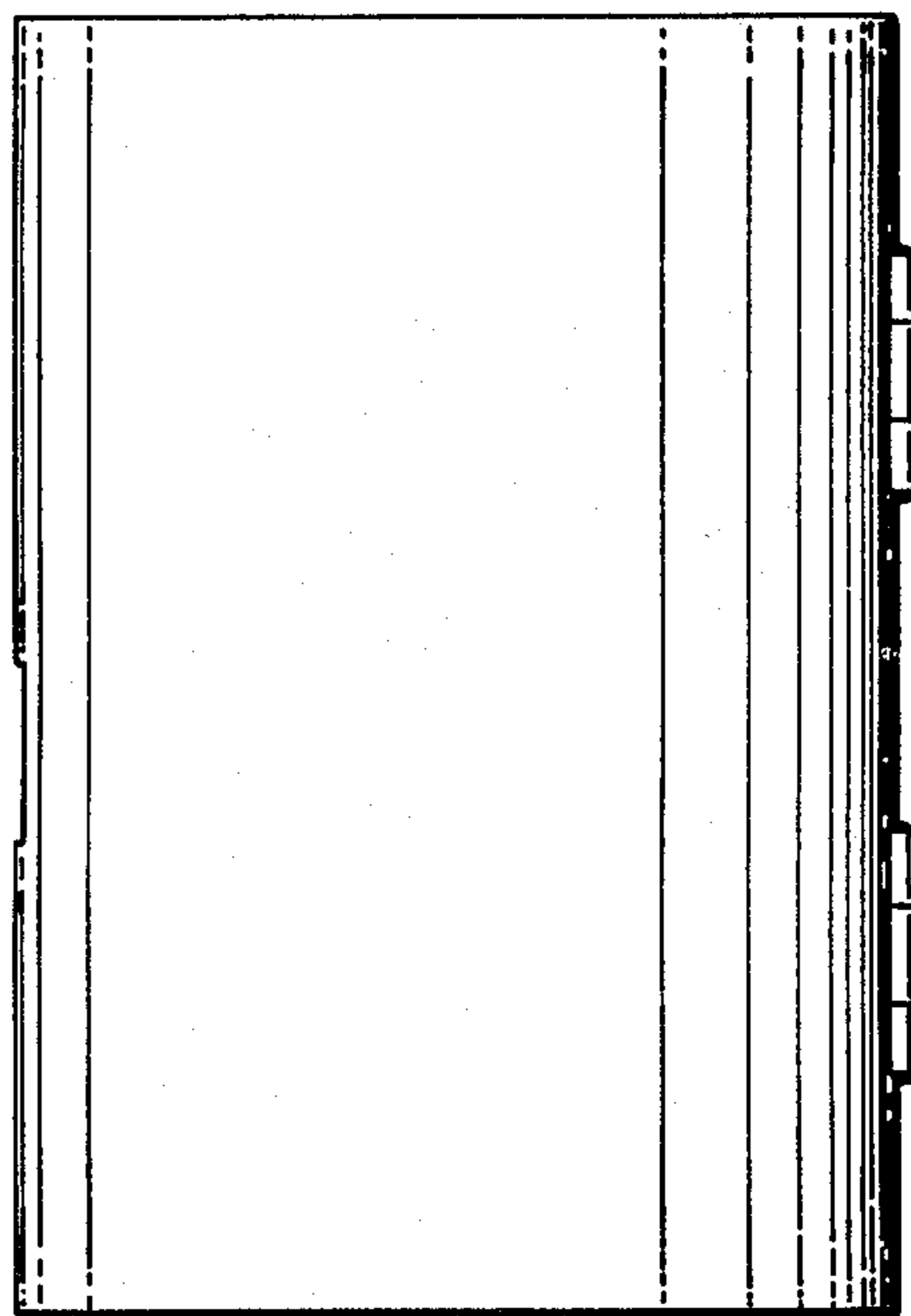


FIG. 4.

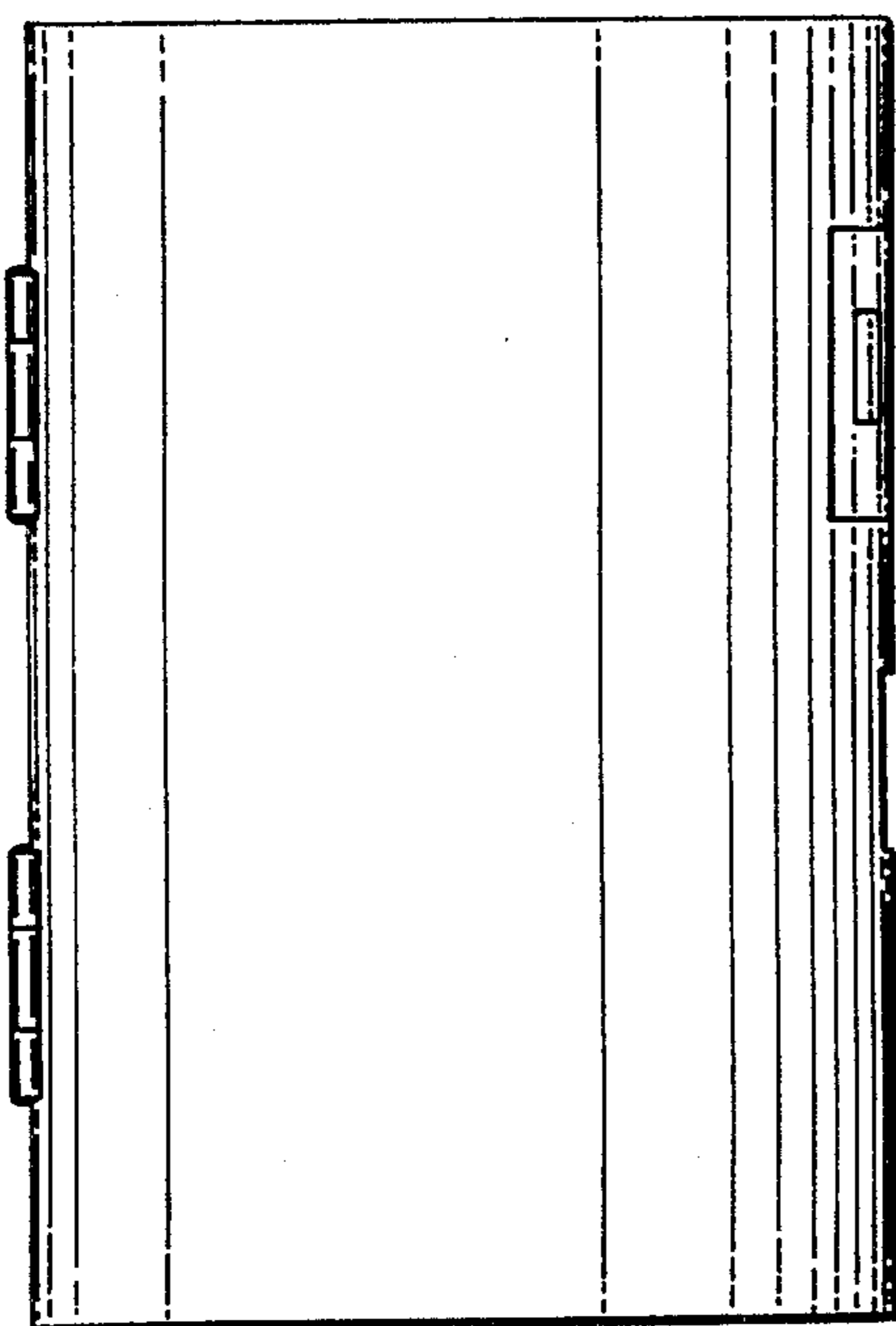


FIG. 5.

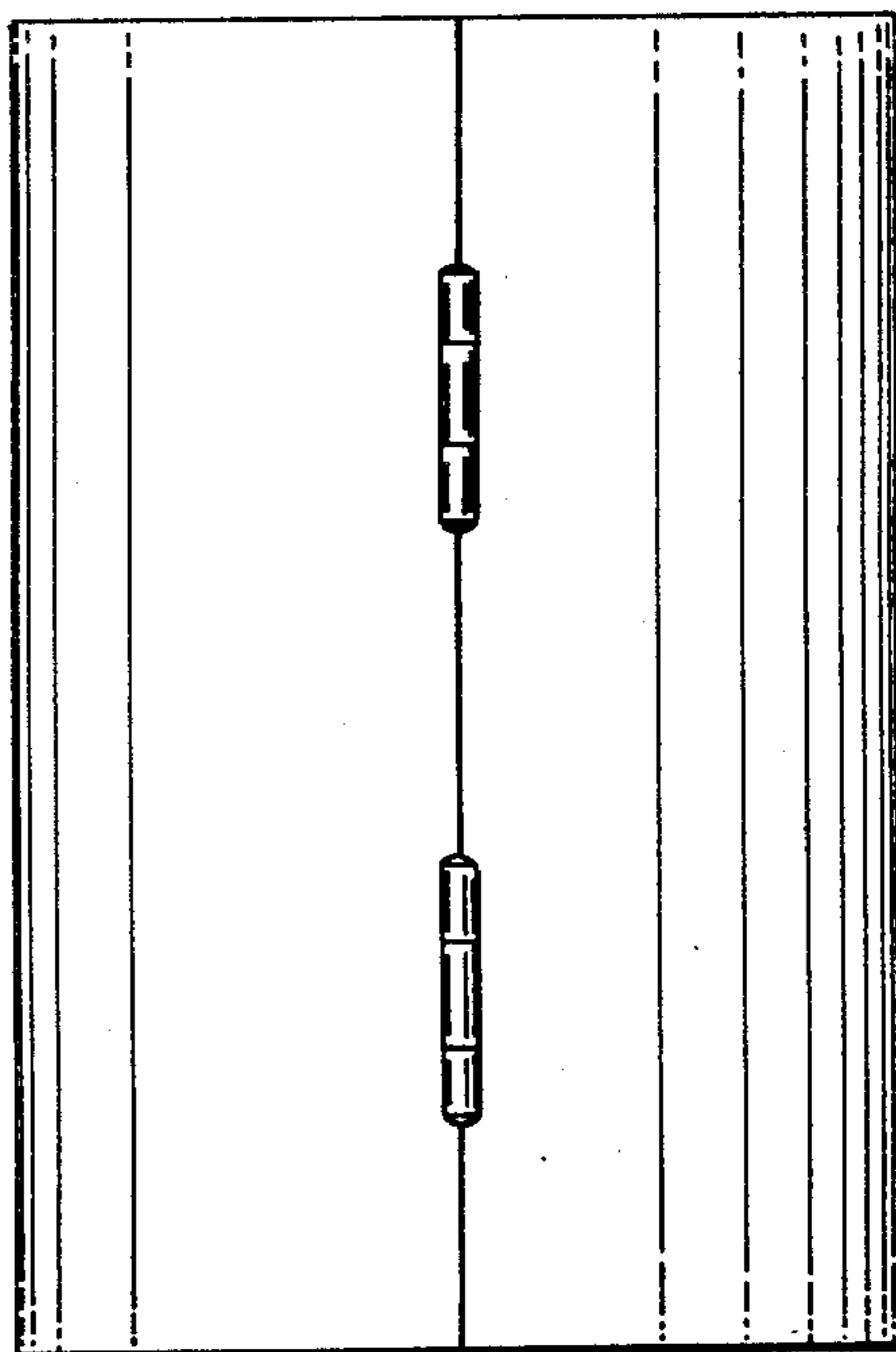


FIG. 6.

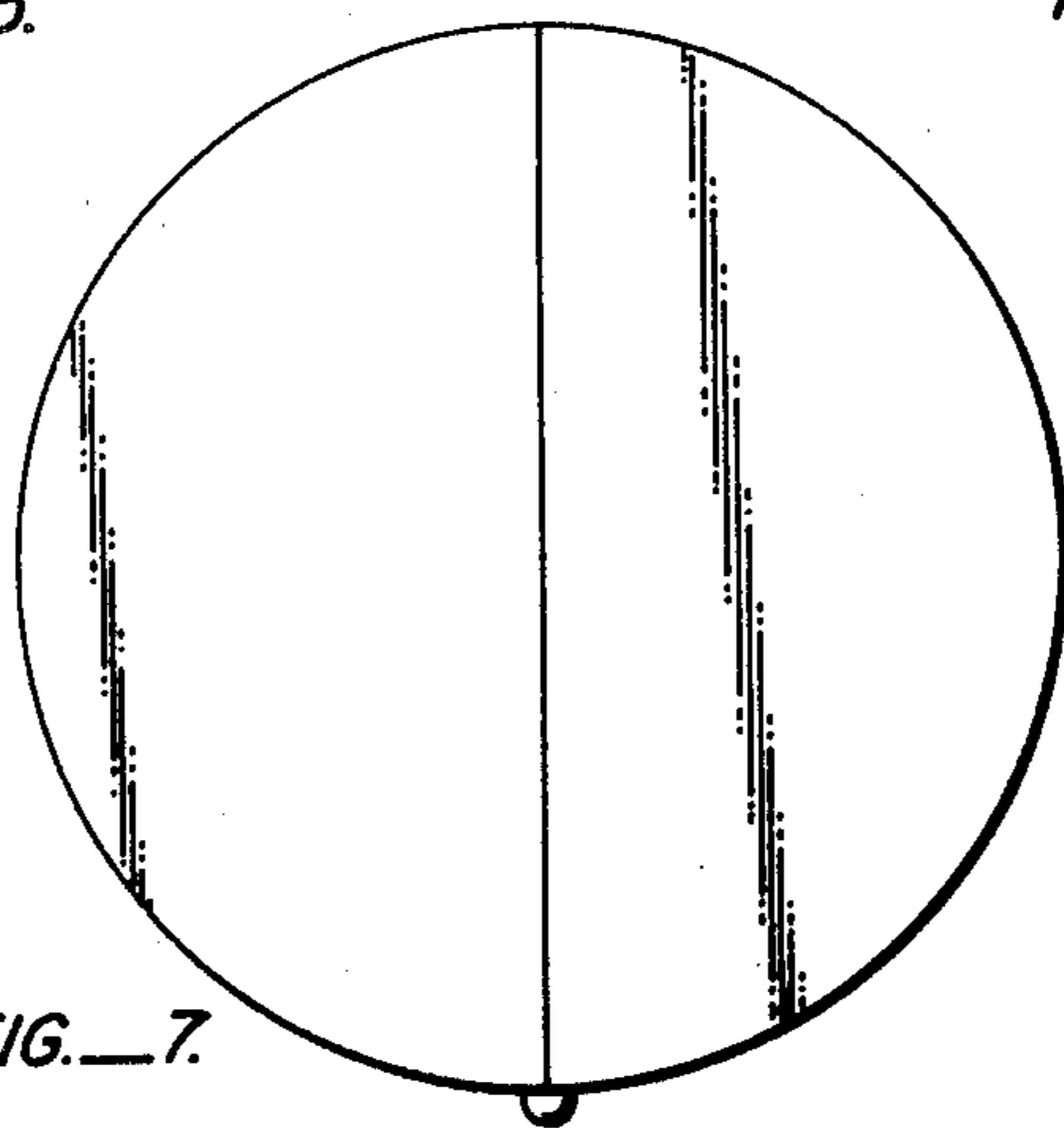


FIG. 7.

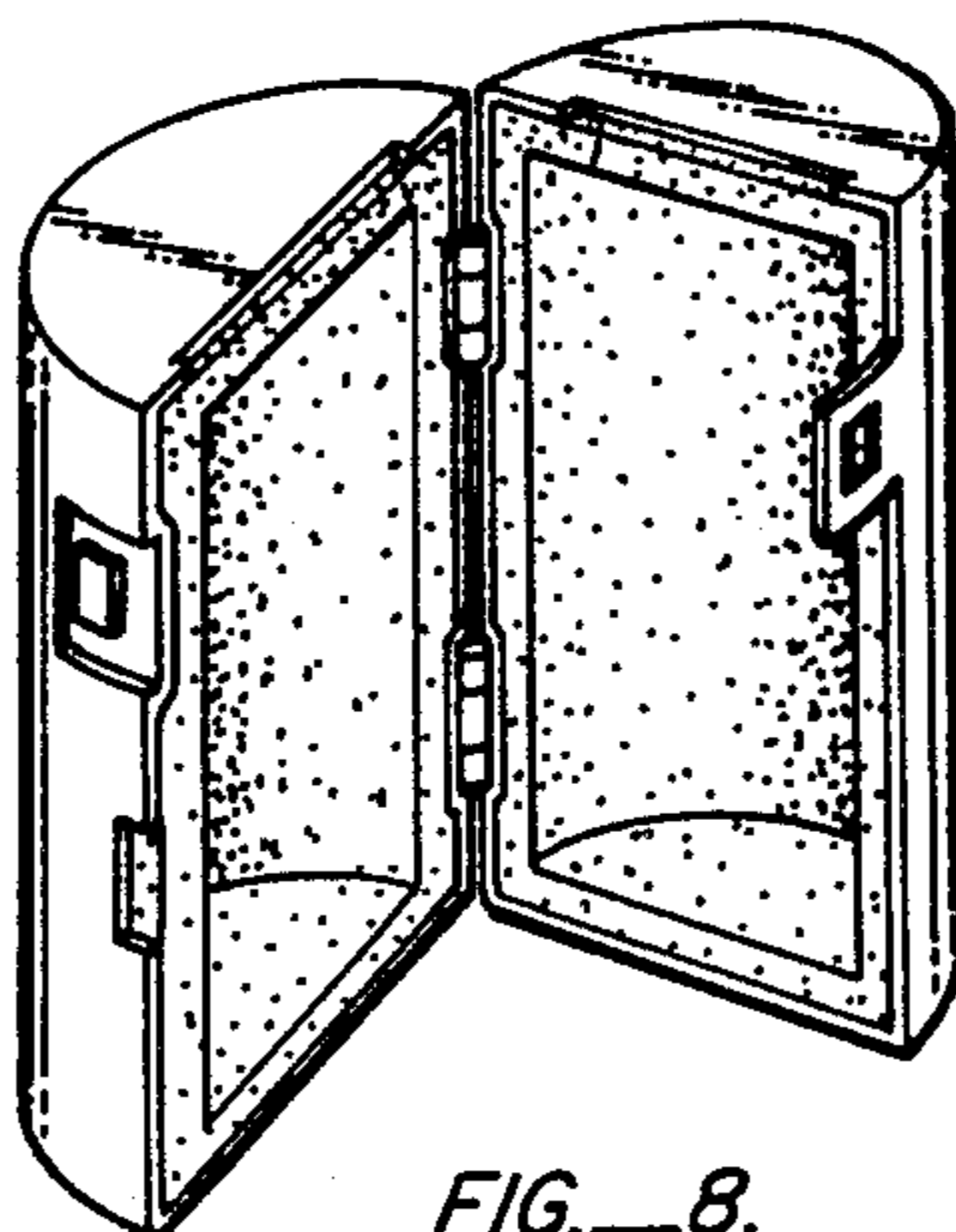


FIG. 8.