

[54] VENETIAN BLIND COLOR SAMPLER PACKET

[75] Inventor: Jasmina Forcan, North Arlington, N.J.

[73] Assignee: Levolor Lorentzen, Inc., Lyndhurst, N.J.

[**] Term: 14 Years

[21] Appl. No.: 393,815

[22] Filed: Jun. 30, 1982

[52] U.S. Cl. D3/30.1; D19/26; D19/62

[58] Field of Search D3/30.1, 76, 77, 78; D19/26, 27, 62; 434/84, 98, 103, 104; 206/450, 451, 472; 281/15 A; 40/492

[56] References Cited

U.S. PATENT DOCUMENTS

D. 266,543 10/1982 Reiss D3/30.1
2,670,844 3/1954 Steinthal 206/472

4,104,809 8/1978 Day et al. 40/492

FOREIGN PATENT DOCUMENTS

1218321 6/1966 Fed. Rep. of Germany 434/98
2318302 11/1973 Fed. Rep. of Germany 434/98
1349444 12/1963 France 434/98

Primary Examiner—George P. Word

[57] CLAIM

The ornamental design for a venetian blind color sampler packet, as shown and described.

DESCRIPTION

FIG. 1 is a perspective view of a venetian blind color sampler packet showing my new design in the open position;

FIG. 2 is a top plan view of a venetian blind color sampler packet in the closed position;

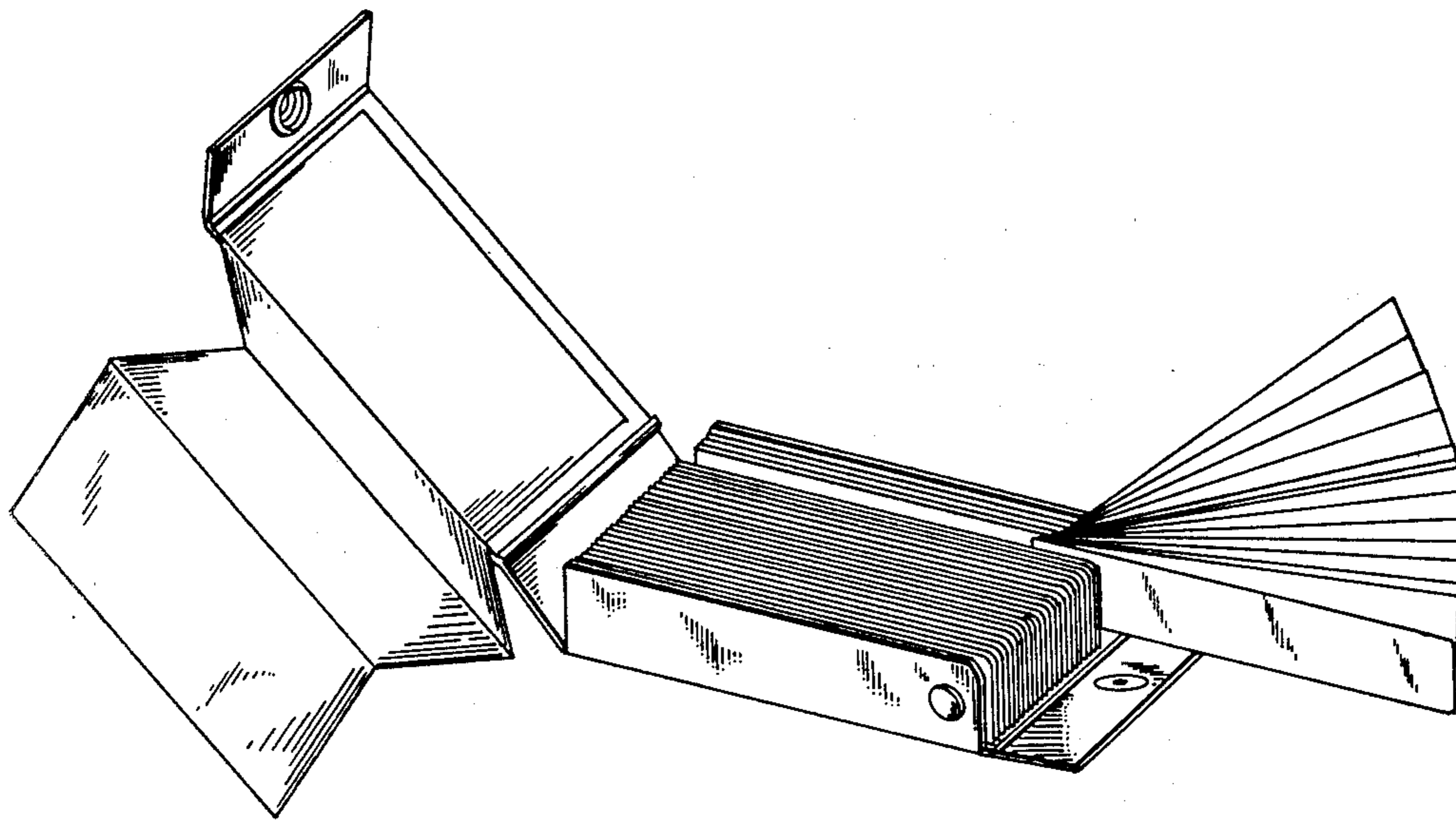
FIG. 3 is a bottom plan view thereof;

FIG. 4 is a front elevational view thereof;

FIG. 5 is a rear elevational view thereof;

FIG. 6 is a right end elevational view thereof; and,

FIG. 7 is a left end elevational view thereof.



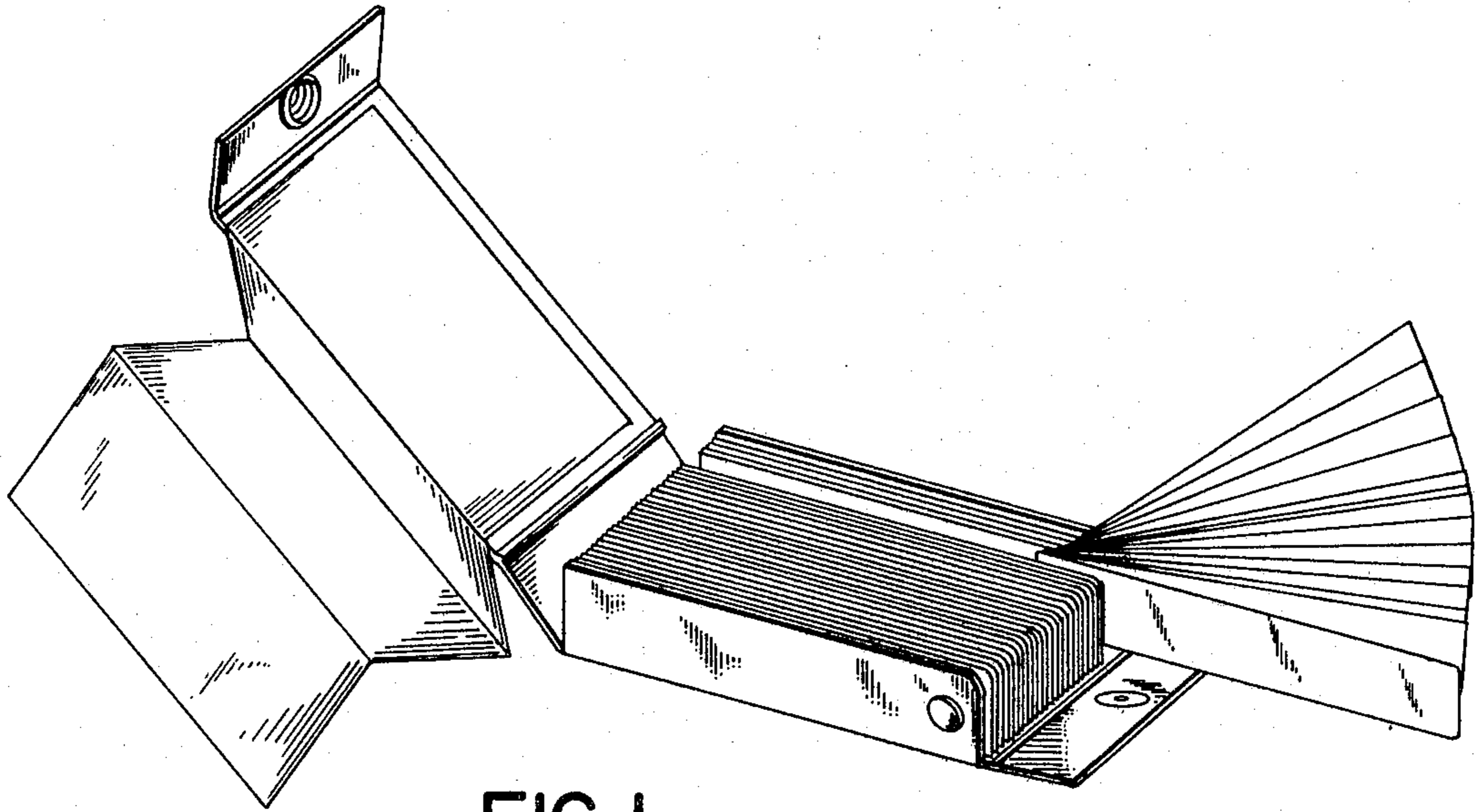


FIG. 1



FIG. 5

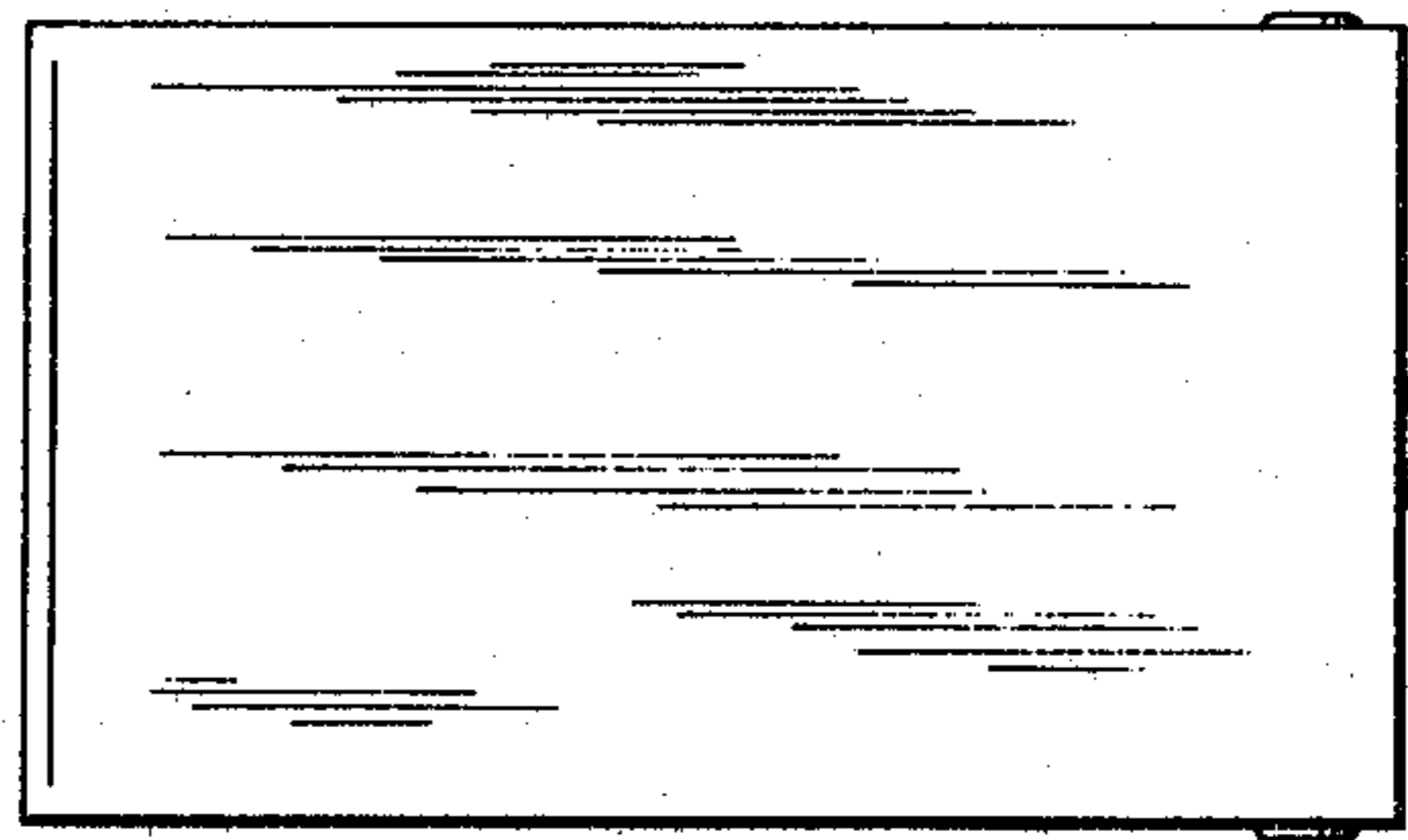


FIG. 2



FIG. 6

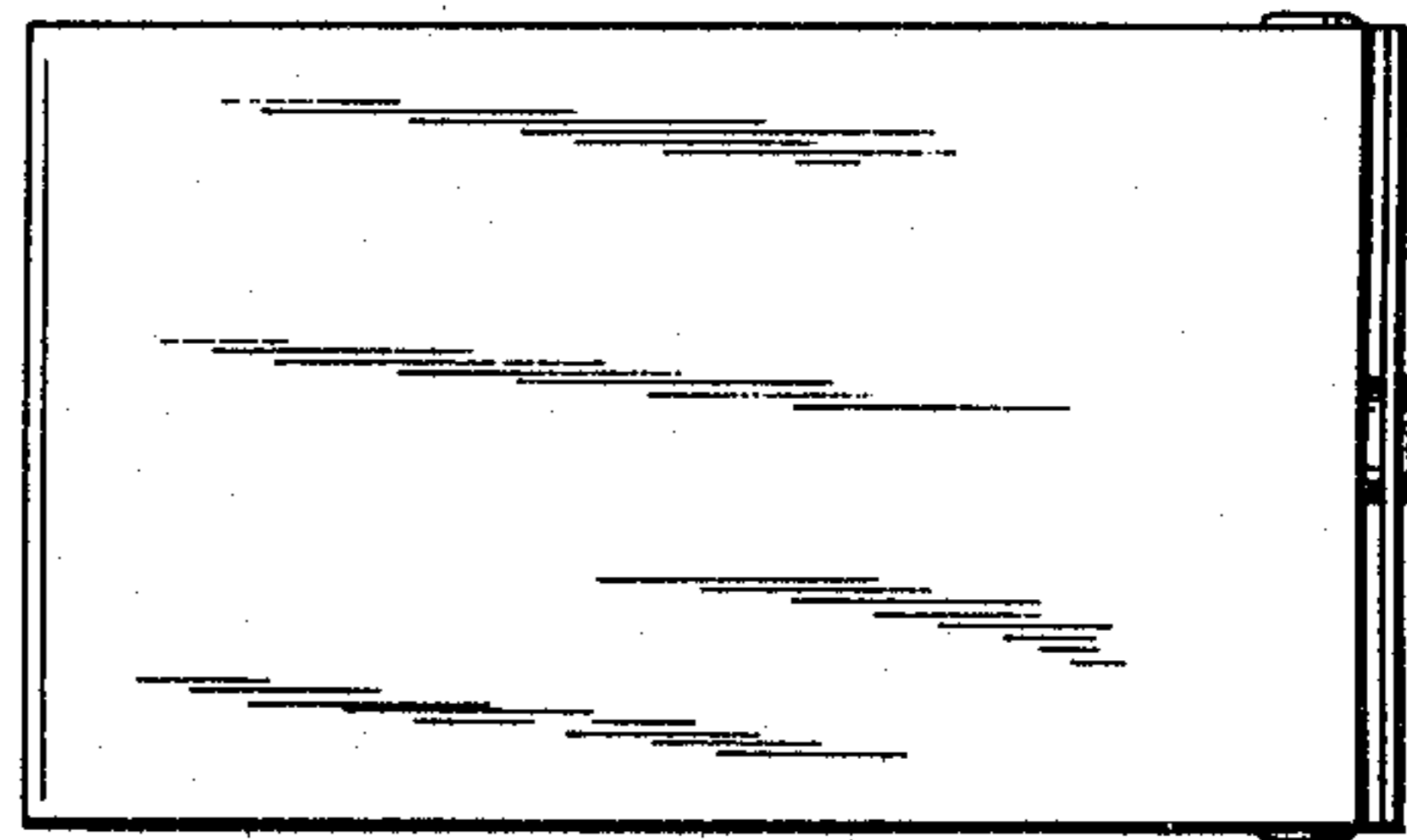


FIG. 3

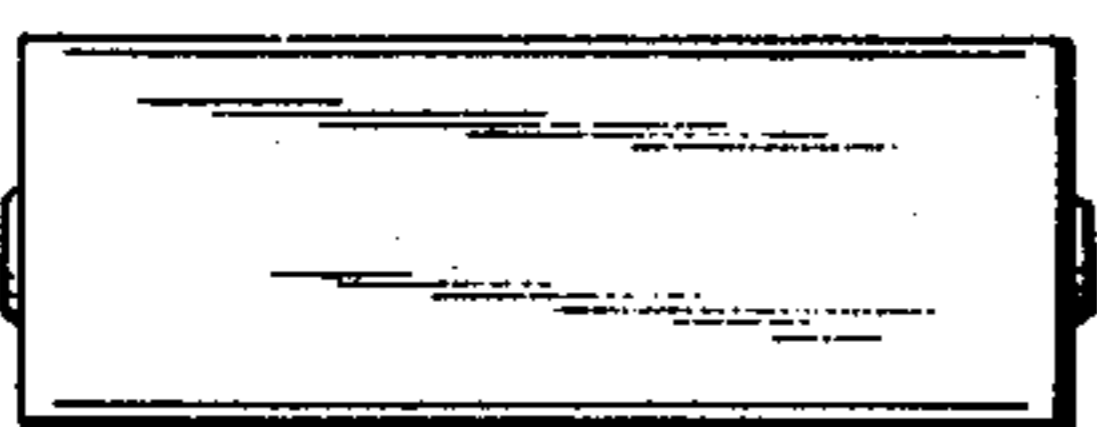


FIG. 7

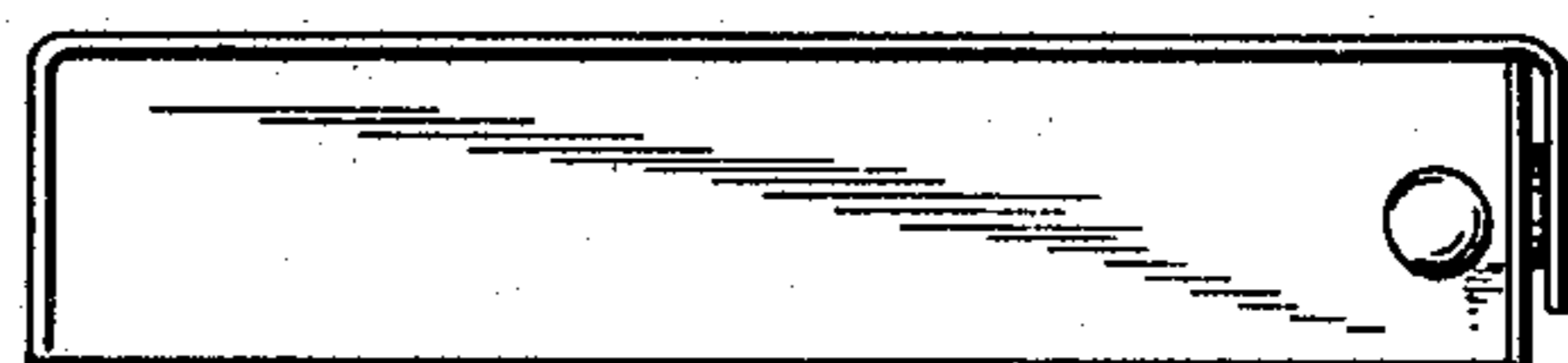


FIG. 4