

[54] APPARATUS FOR COLLECTING DATA ON ANIMAL EXPERIMENTS

[75] Inventor: Masamitsu Okazaki, Yokohama, Japan

[73] Assignee: Mitsui Engineering & Shipbuilding Co., Ltd., Tokyo, Japan

[\*\*] Term: 14 Years

[21] Appl. No.: 328,707

[22] Filed: Dec. 8, 1981

[30] Foreign Application Priority Data

Jun. 15, 1981 [JP] Japan ..... 56/26008  
[52] U.S. Cl. .... D24/1.1; D14/102  
[58] Field of Search ..... D24/1.1, 99; 312/250; D14/102, 103

[56] References Cited

U.S. PATENT DOCUMENTS

D. 250,584 12/1978 Oye ..... D24/1.1 X  
D. 250,950 1/1979 Knodt et al. .... D14/102

D. 253,190 10/1978 Bixler ..... D24/1.1  
D. 263,995 4/1982 Steele ..... D24/1.1  
D. 264,873 6/1982 Olson et al. .... D24/1.1

OTHER PUBLICATIONS

E. H. Sheldon, Laboratory & Vocational Furniture, ©1969, p. 6, Item R-21171, Roll-a-way cabinet.

Primary Examiner—Bernard Ansher  
Attorney, Agent, or Firm—Blakely, Sokoloff, Taylor & Zafman

[57] CLAIM

The ornamental design for an apparatus for collecting data on animal experiments, as shown and described.

DESCRIPTION

FIG. 1 is a front elevation of an apparatus for collecting data on animal experiments, showing my new design; FIG. 2 is a rear elevation thereof; FIG. 3 is a top plan view thereof; FIG. 4 is a bottom plan view thereof; FIG. 5 is a right side elevation thereof; and FIG. 6 is a right side elevation thereof.

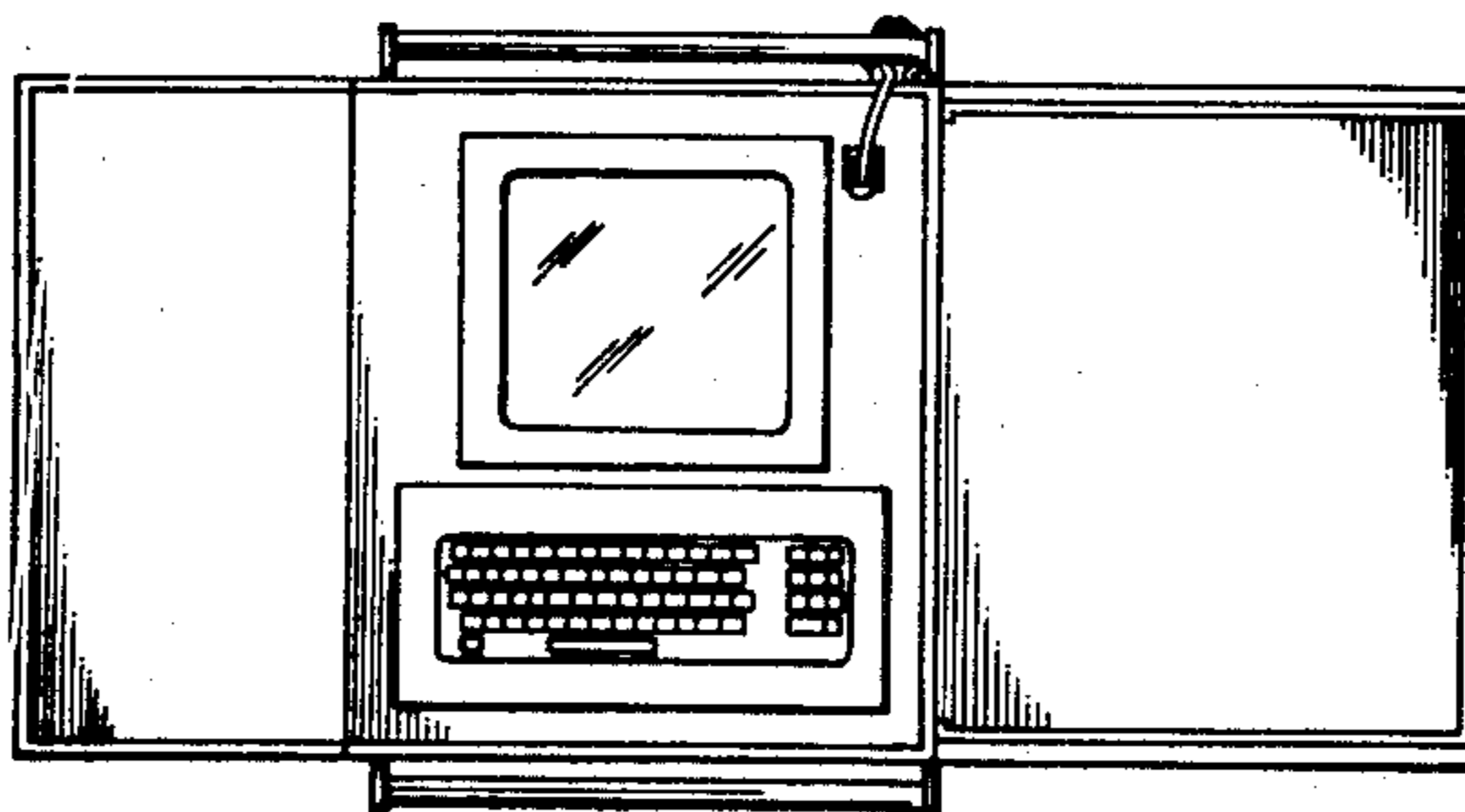
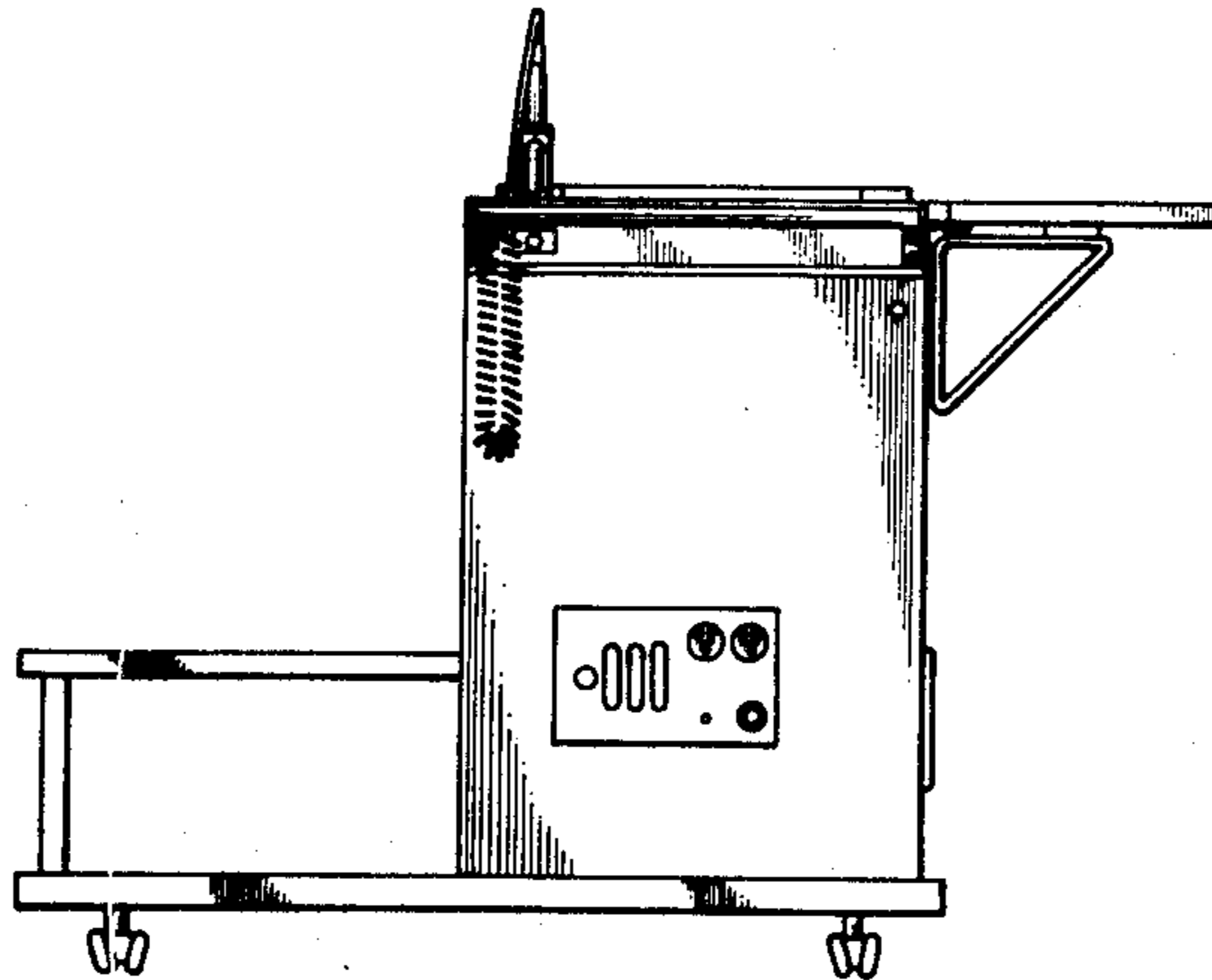


FIG. 1

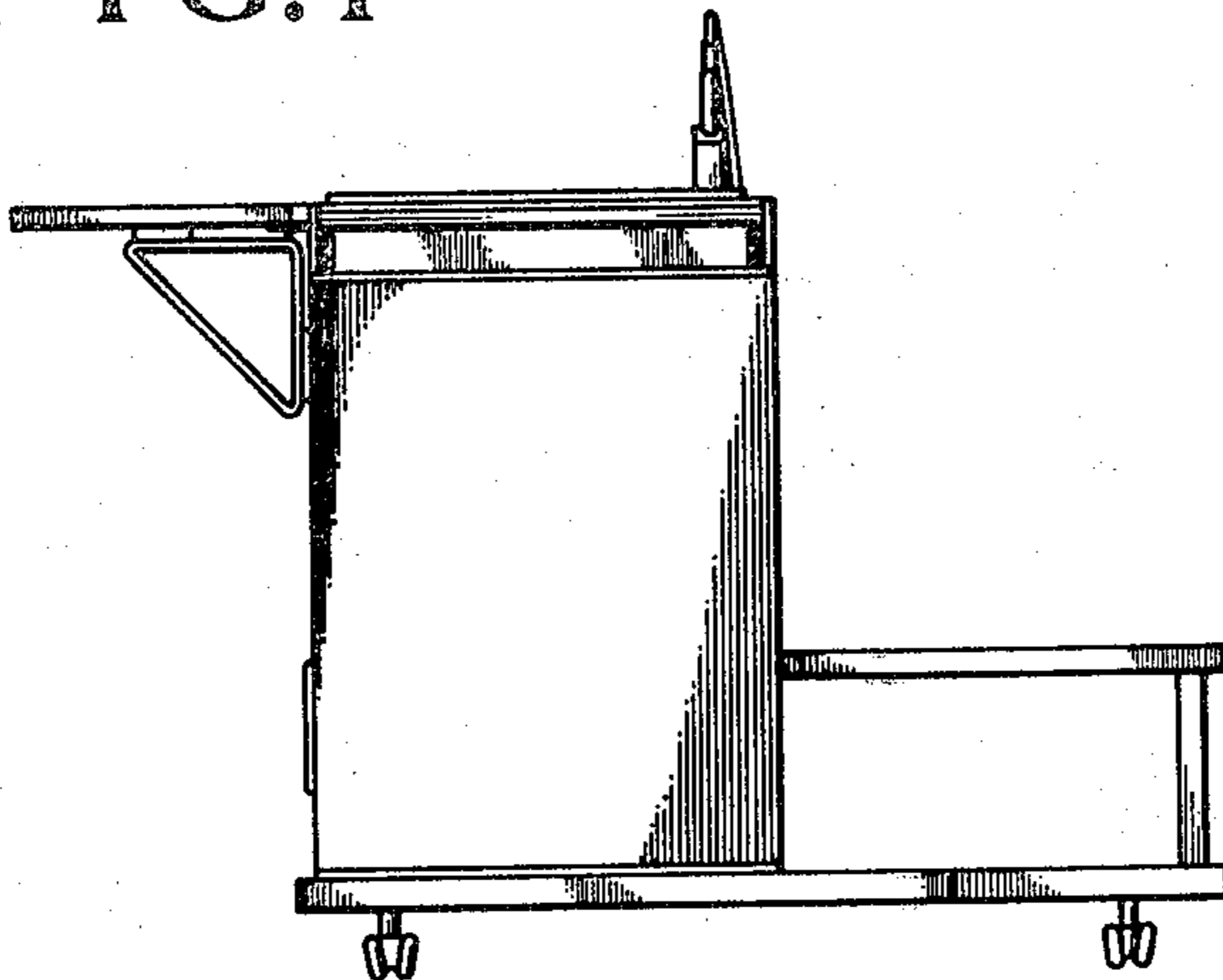


FIG. 2

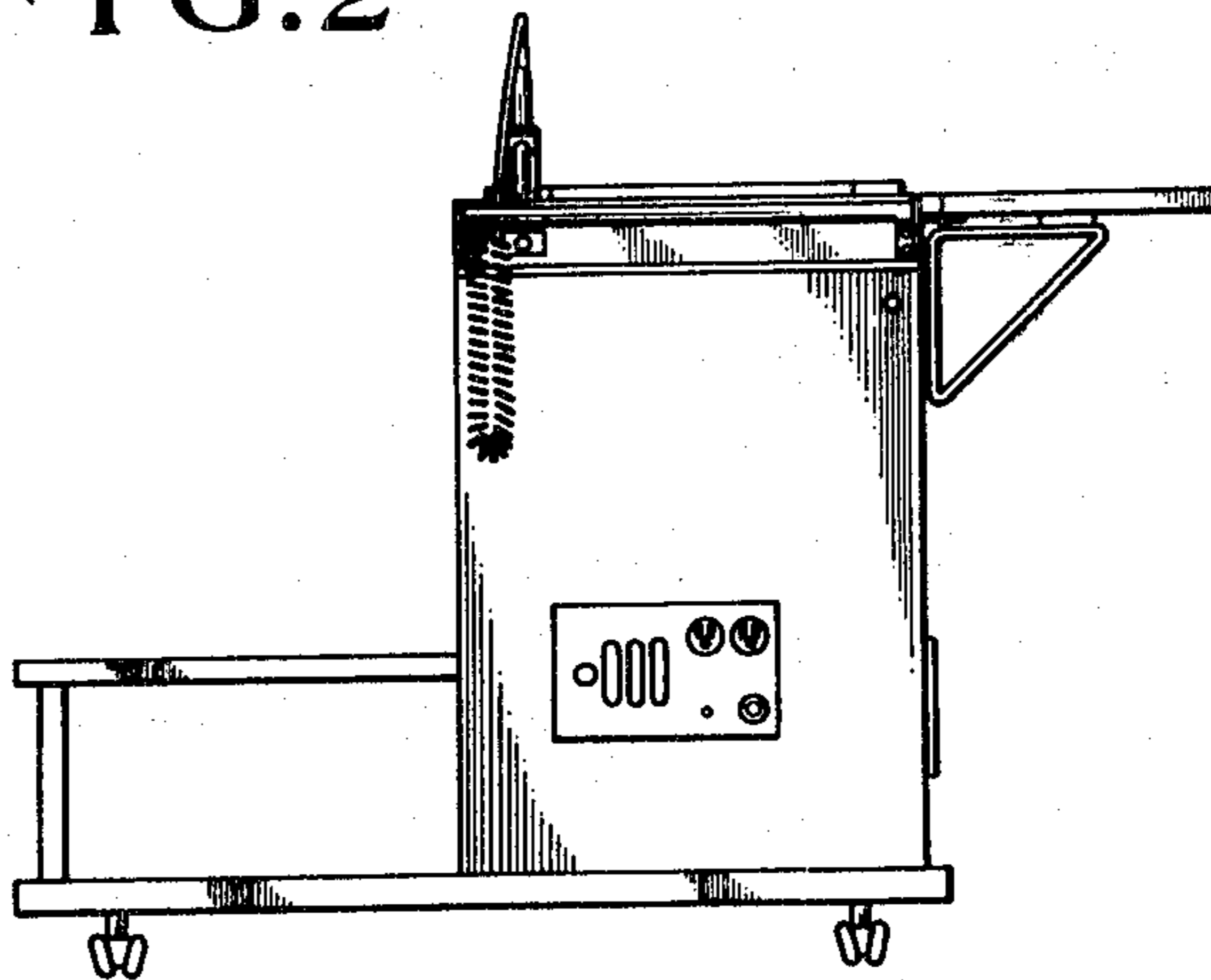


FIG. 3

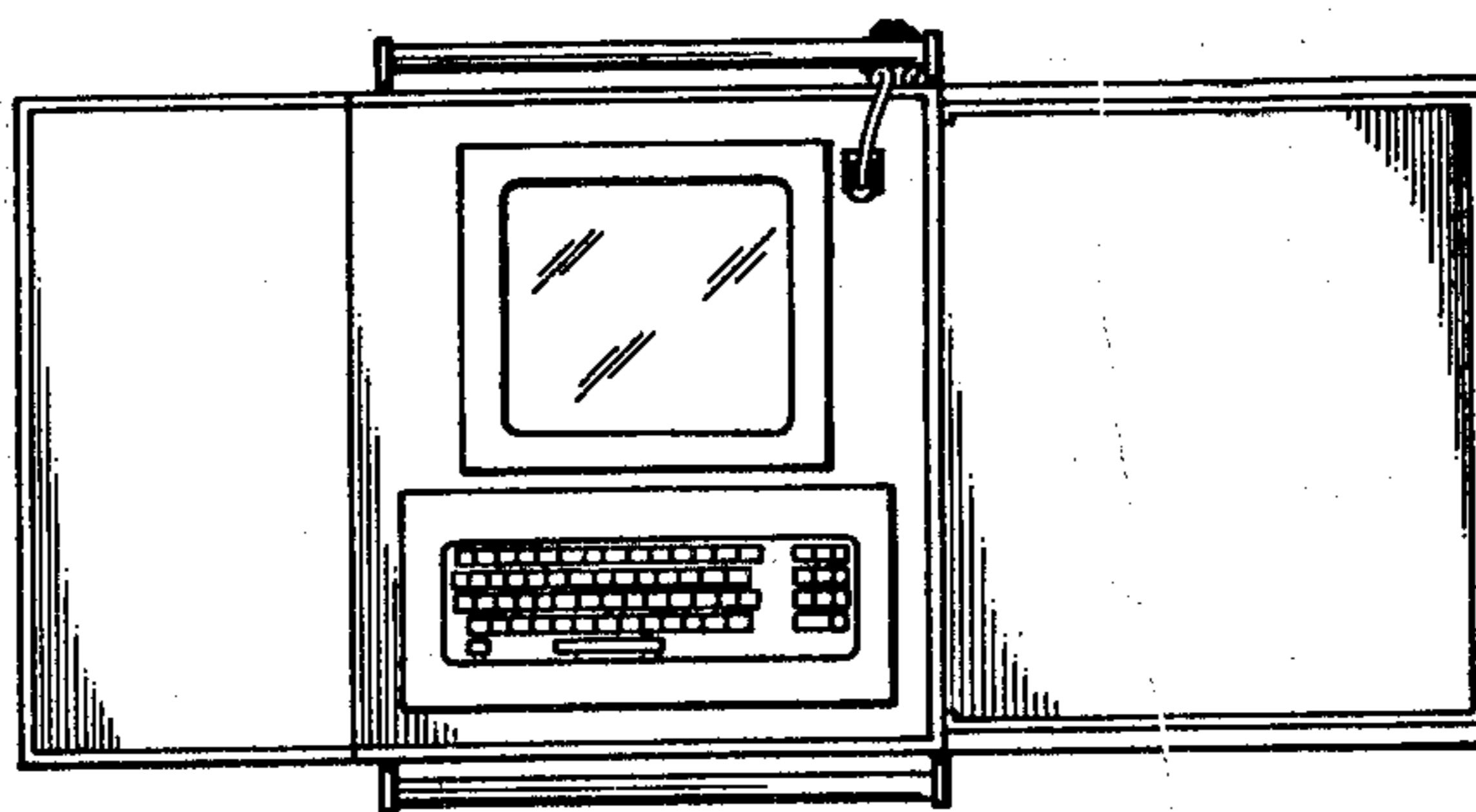


FIG.4

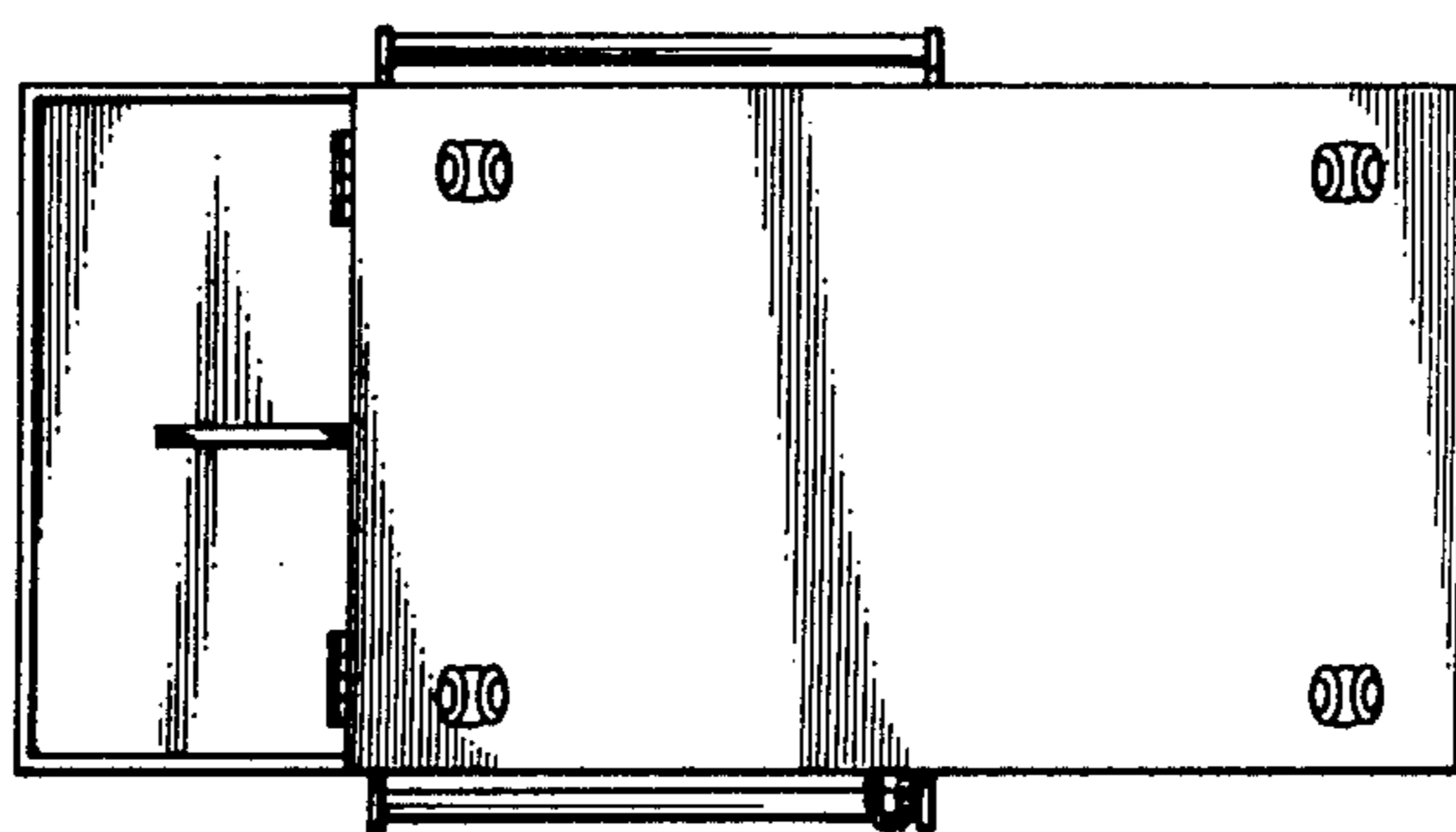


FIG.5

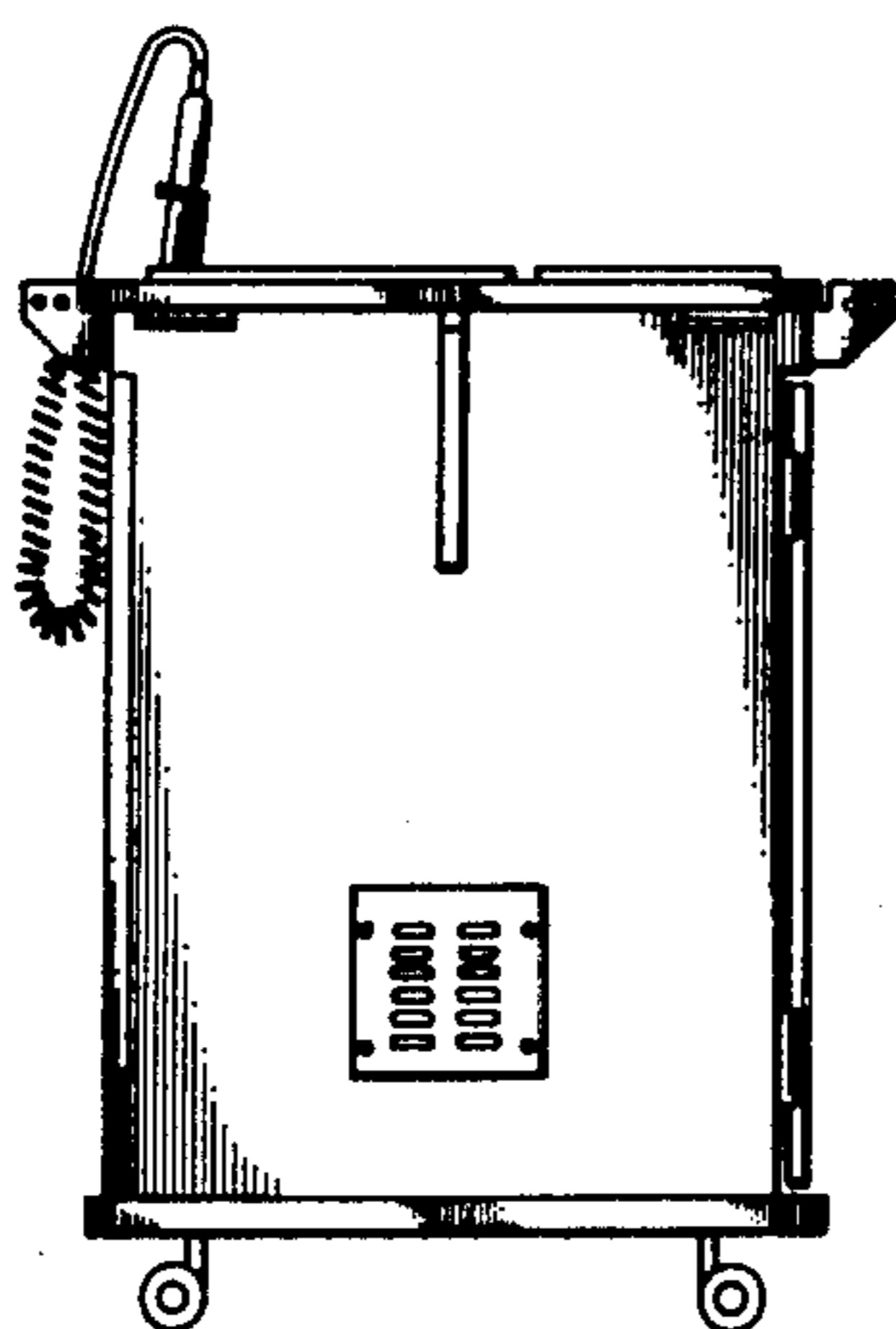


FIG.6

