

[54] **COUPLING ASSEMBLY**

[75] Inventor: **Jerry R. Hayes, Peoria, Ill.**

[73] Assignee: **L. R. Nelson Corporation, Peoria, Ill.**

[**] Term: **14 Years**

[21] Appl. No.: **307,957**

[22] Filed: **Oct. 2, 1981**

[52] U.S. Cl. **D23/44**

[58] Field of Search **D23/40, 43, 44; 285/38, 285/360, 361, 376; D8/397**

[56] **References Cited**

U.S. PATENT DOCUMENTS

D. 254,863	4/1980	Hayes	D23/44
1,194,793	8/1916	Styers	285/376
4,209,190	6/1980	Fleischer	285/38

Primary Examiner—Wallace R. Burke

Assistant Examiner—Suzanne N. Gitlin

Attorney, Agent, or Firm—Cushman, Darby & Cushman

[57] **CLAIM**

The ornamental design for a coupling assembly, as shown and described.

DESCRIPTION

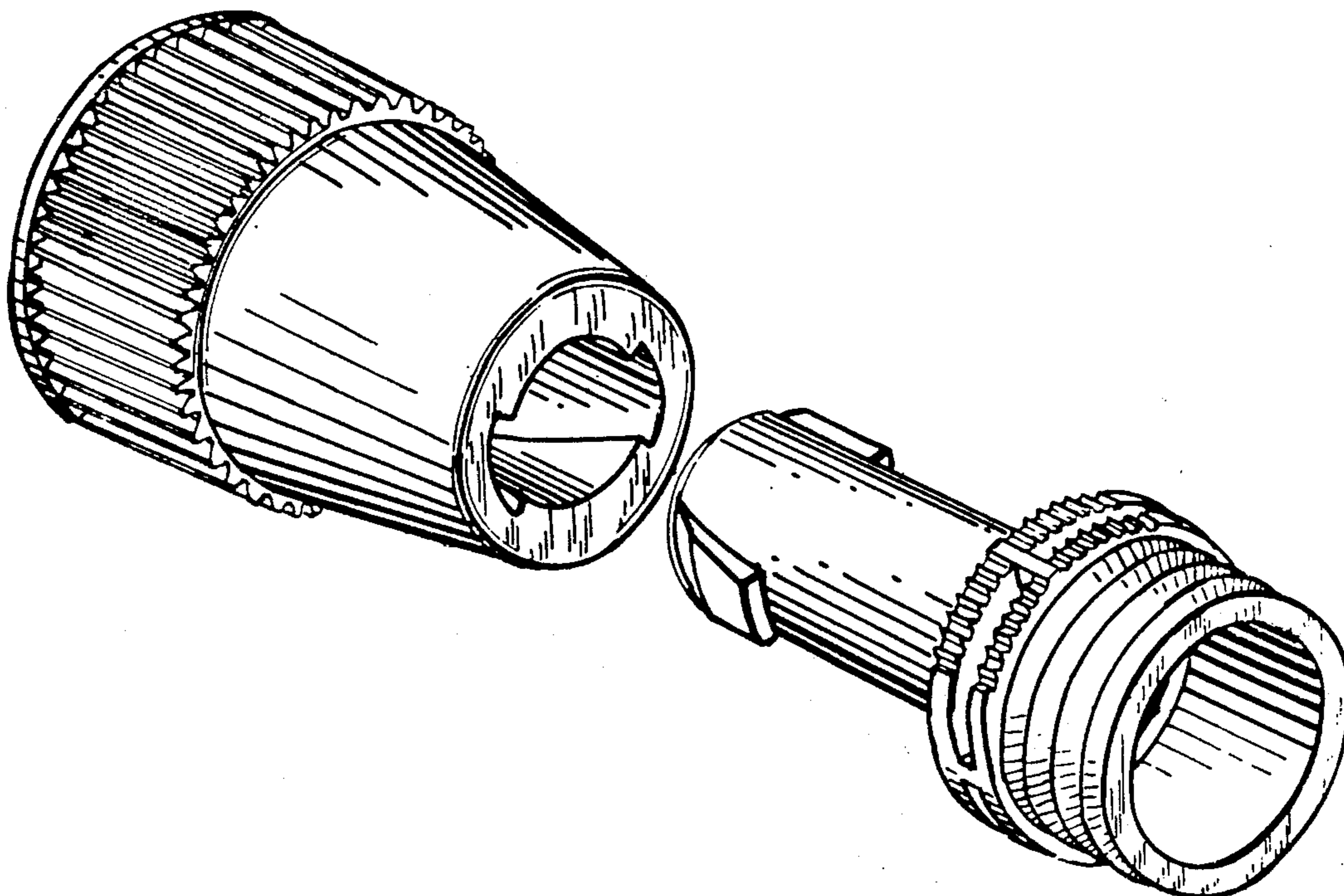
FIG. 1 is a side elevational view of a coupling assembly showing my design;

FIG. 2 is an end elevational view taken from the left of FIG. 1; and

FIG. 3 is an exploded perspective view thereof;

FIG. 4 is an exploded perspective view of the coupling assembly showing the male and female coupling members thereof rotated about their common axes 90° with respect to the assembled position thereof shown in FIGS. 1-3.

The side of the coupling assembly opposite from that shown in FIG. 1 is the same as that shown in FIG. 1.



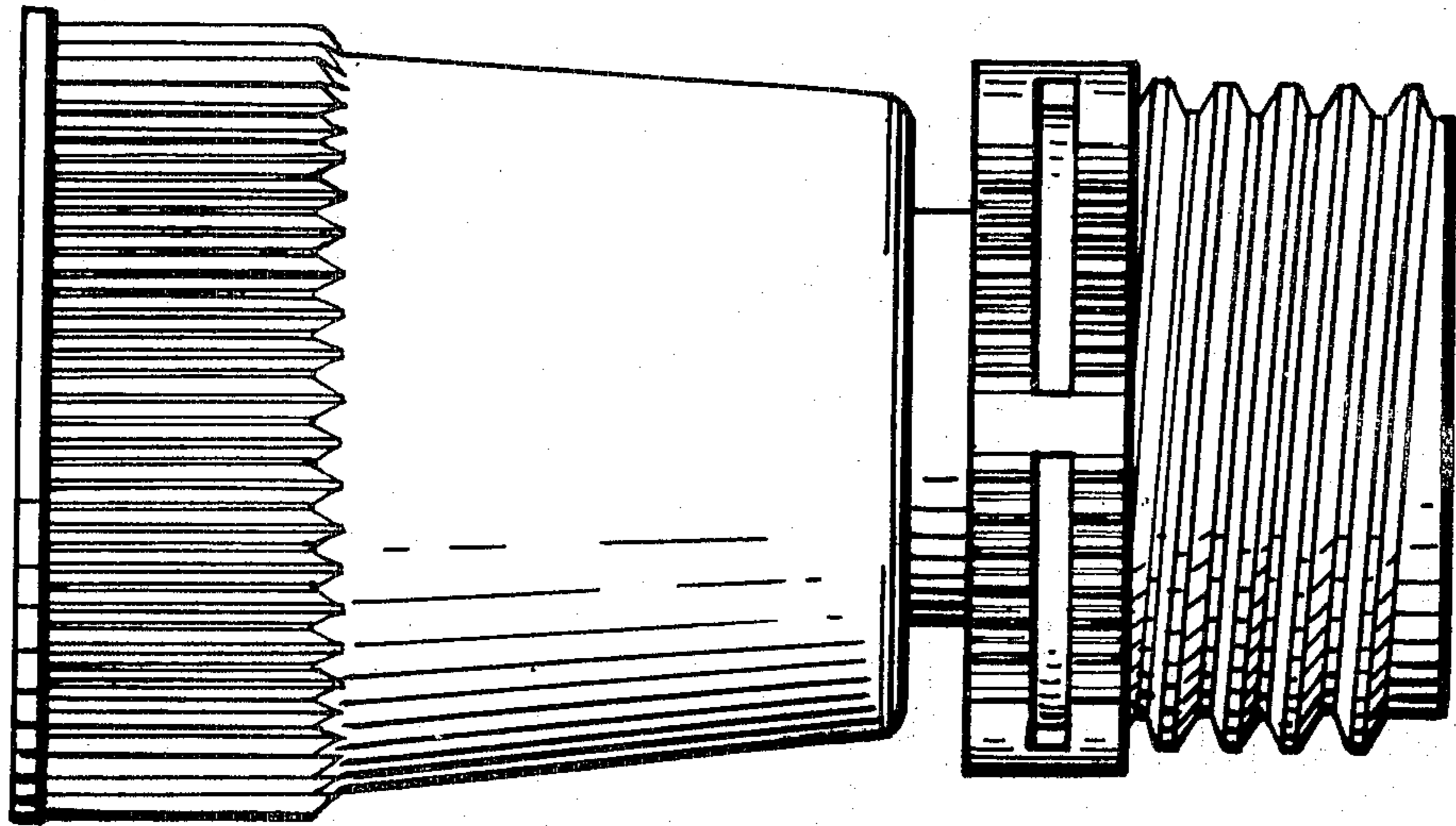


Fig. 1.

Fig. 2.

