

# United States Patent [19]

**Bacon**

[11] **Patent Number: Des. 275,304**

[45] **Date of Patent: \*\* Aug. 28, 1984**

[54] **CUPOLA FOR CANNON**

[75] **Inventor: Lawrence D. Bacon, Fountain Valley, Calif.**

[73] **Assignee: Western Design Corporation, Irvine, Calif.**

[\*\*] **Term: 14 Years**

[21] **Appl. No.: 426,763**

[22] **Filed: Sep. 29, 1982**

[52] **U.S. Cl. .... D22/3**

[58] **Field of Search ..... 89/36 K, 41 M; 42/5 S**

[56] **References Cited**

**U.S. PATENT DOCUMENTS**

2,598,231 5/1952 Davies ..... 89/36 K X

3,241,446 3/1966 Wey ..... 89/36 K  
4,144,797 3/1979 Berge et al. .... 89/36 K X

*Primary Examiner—A. Hugo Word*  
*Attorney, Agent, or Firm—Fowler, Lambert & Hackler*

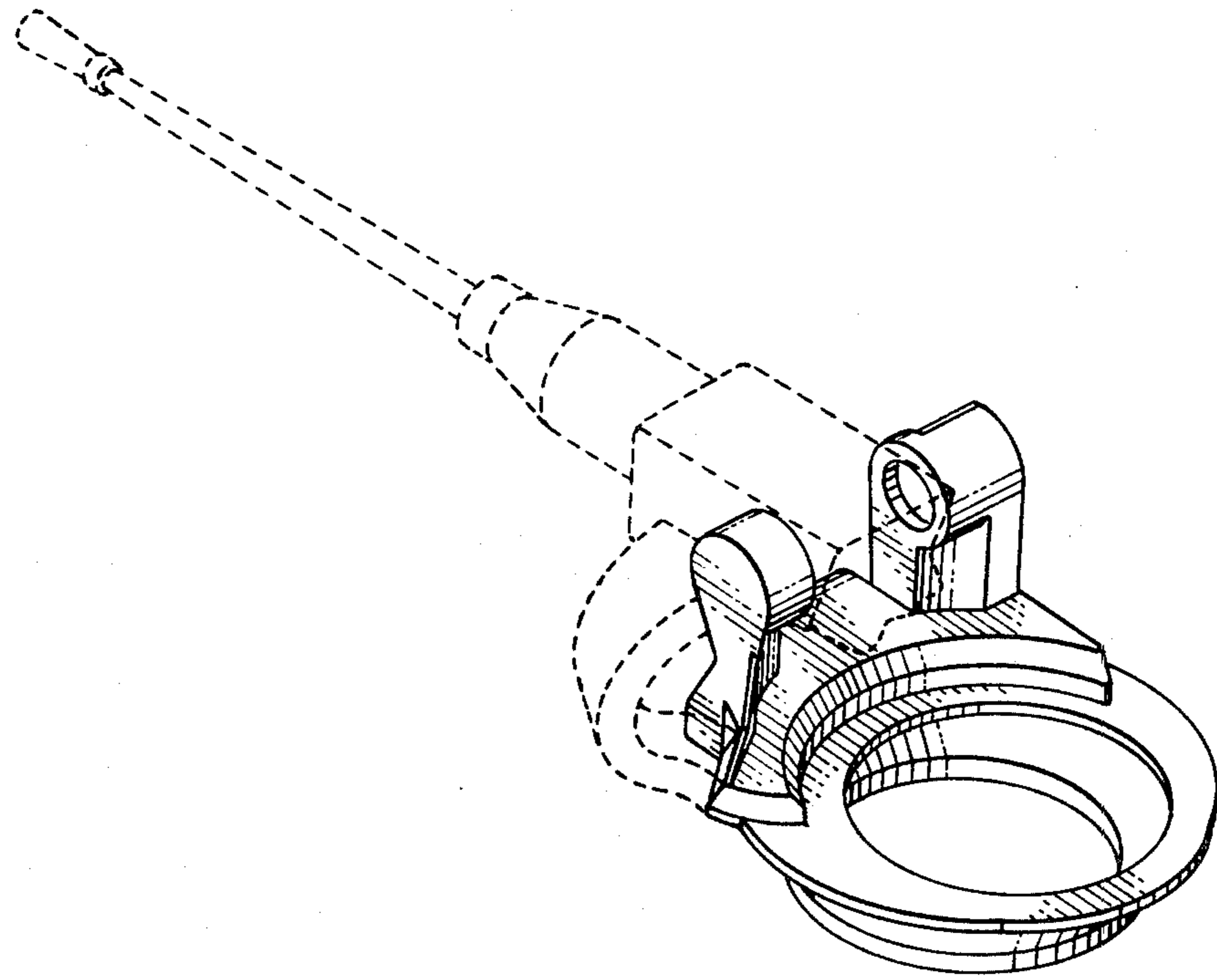
[57] **CLAIM**

The ornamental design for a cupola for cannon, substantially as shown and described.

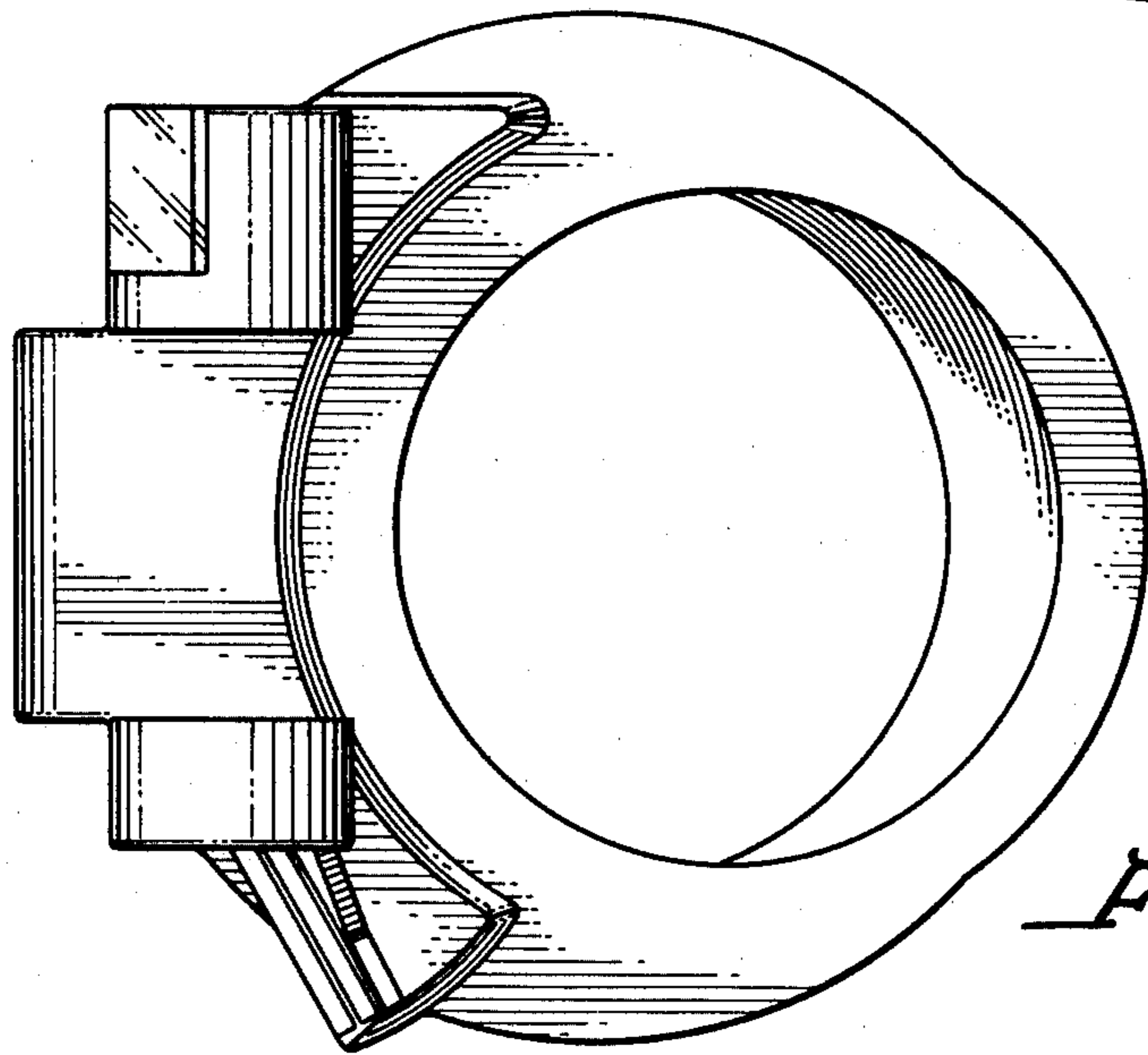
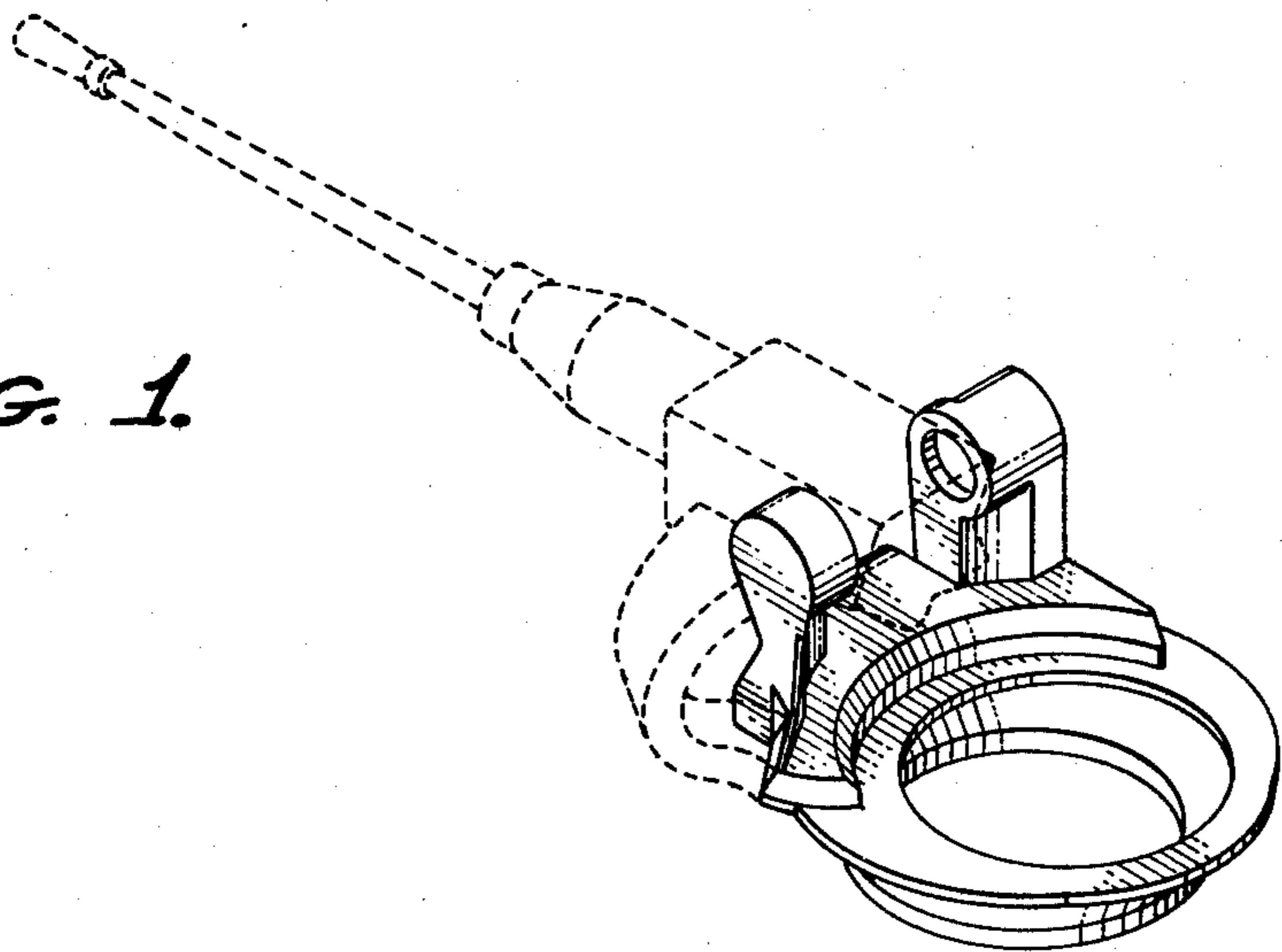
**DESCRIPTION**

FIG. 1 is a perspective view showing the top, front and one side;  
FIG. 2 is a top view;  
FIG. 3 is a bottom view;  
FIG. 4 is a left side view;  
FIG. 5 is a right side view;  
FIG. 6 is a front view; and,  
FIG. 7 is a rear view.

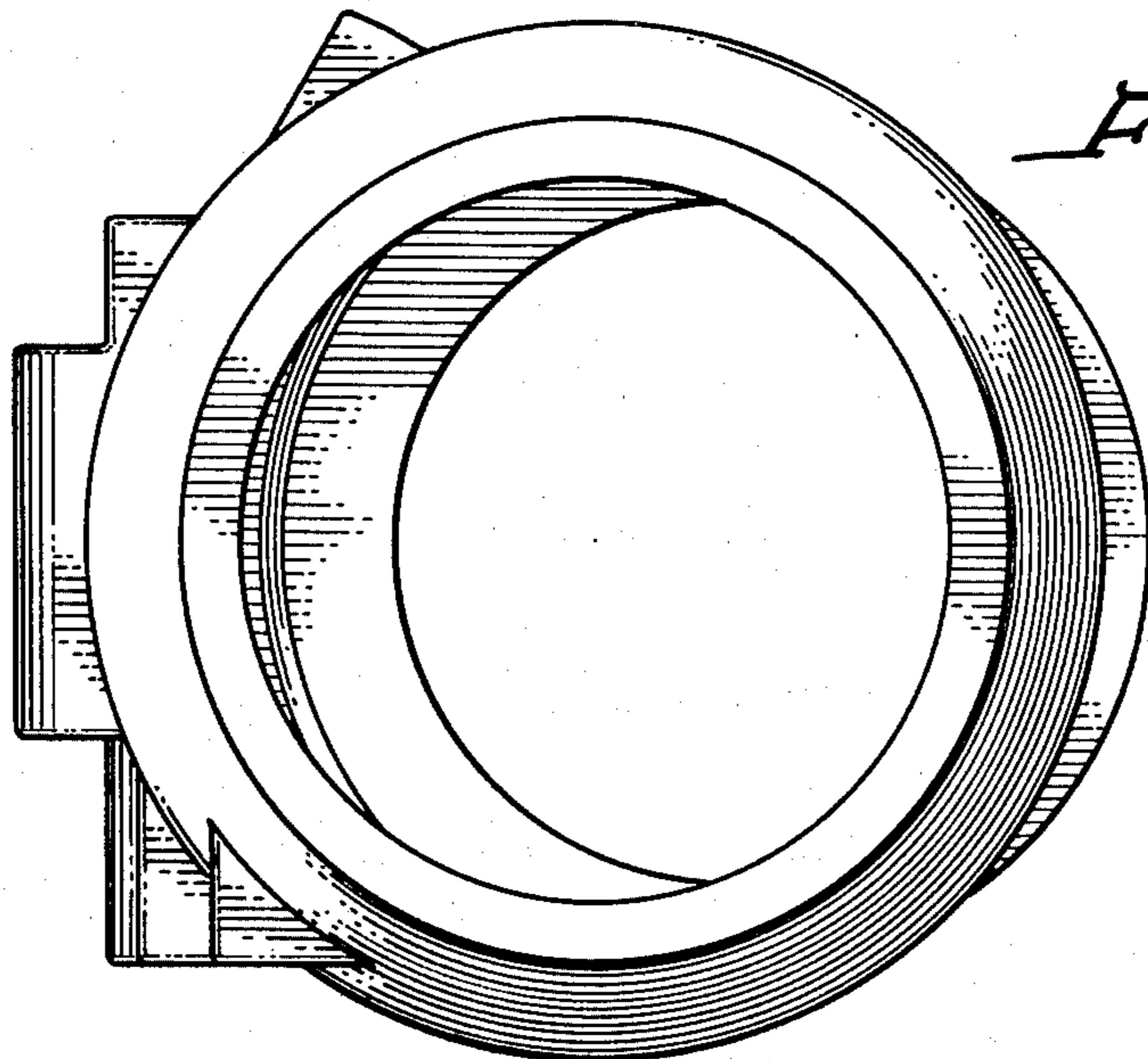
T2046T



*FIG. 1.*



*FIG. 2.*



*FIG. 3.*

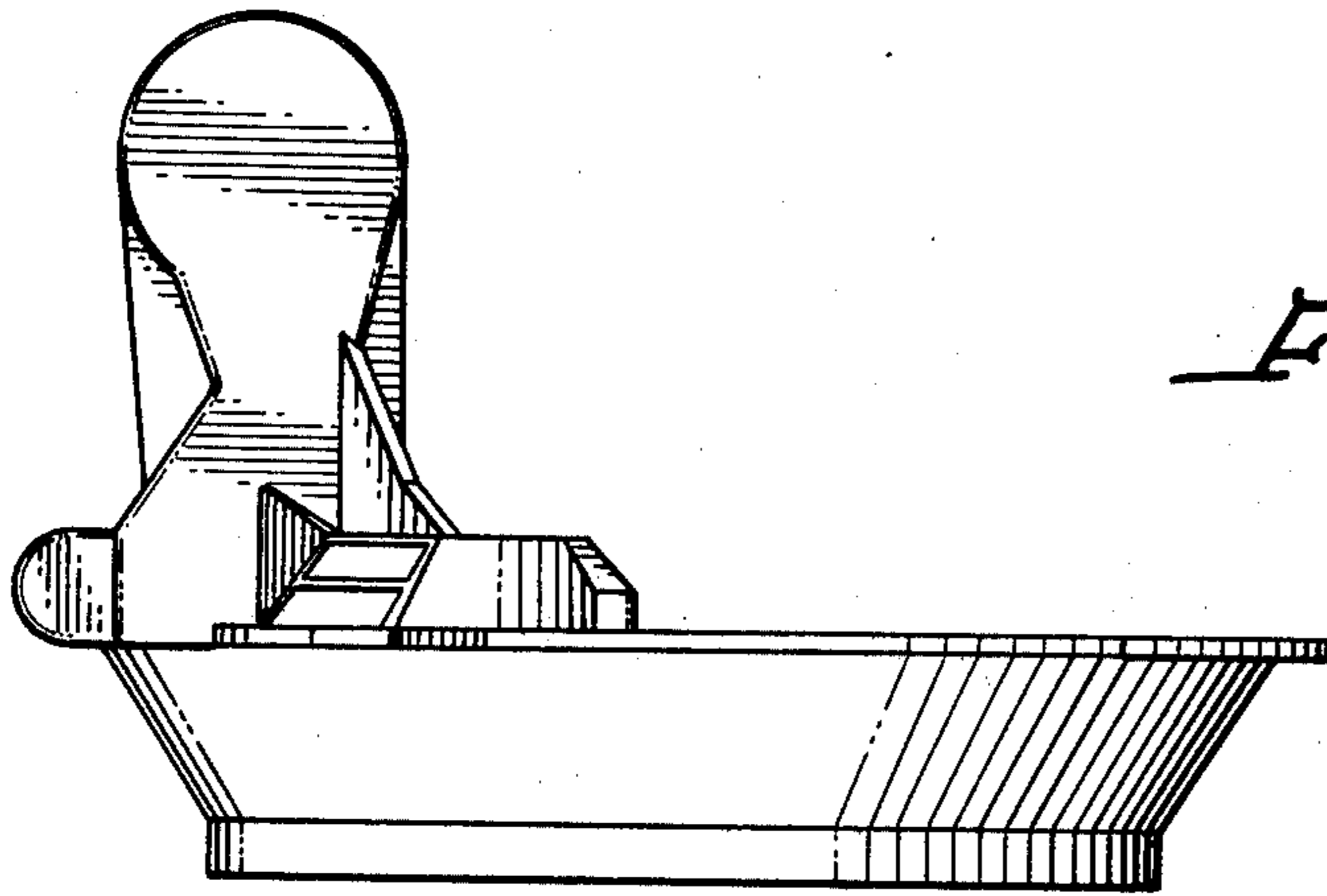


FIG. 4.

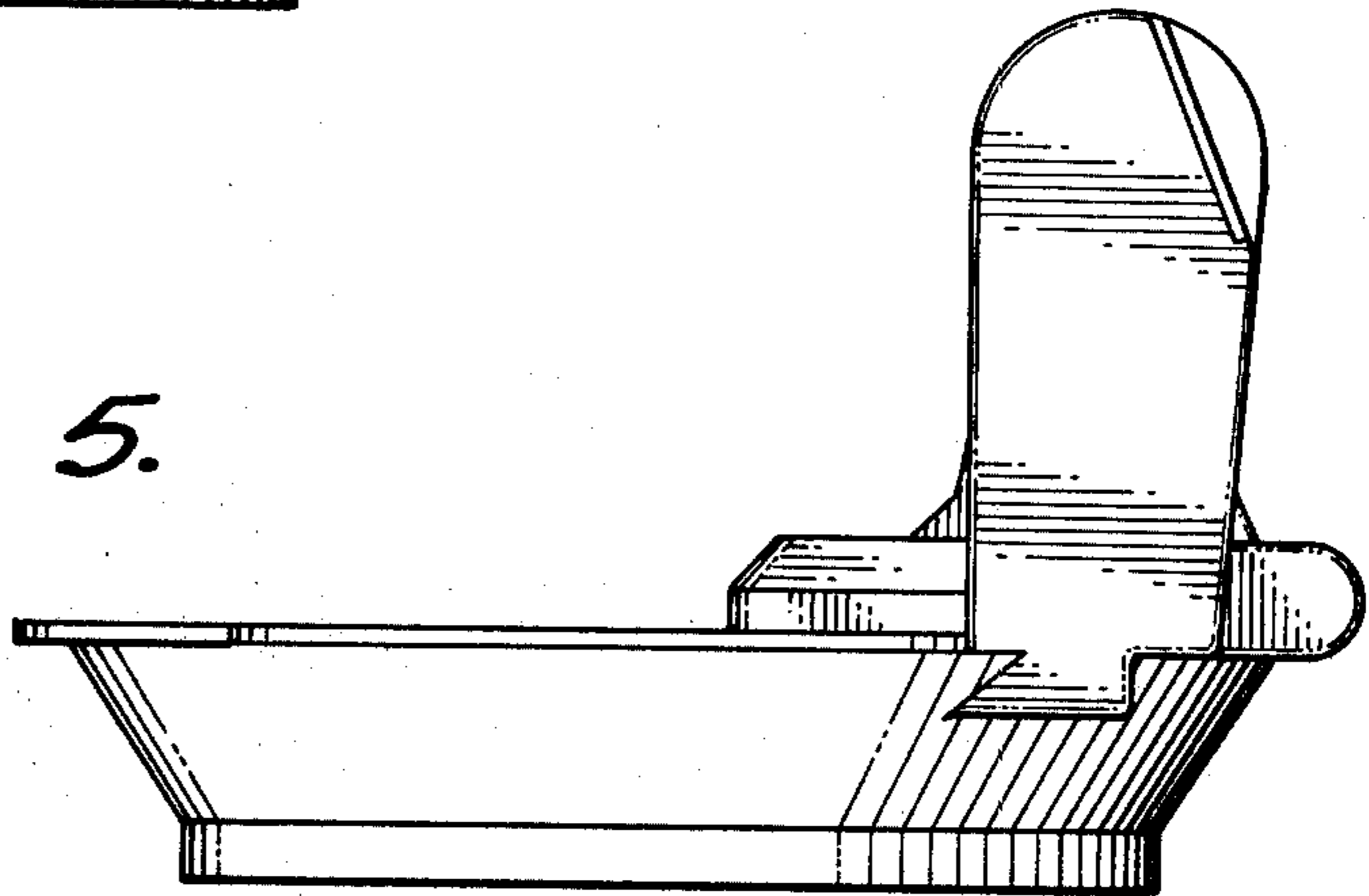


FIG. 5.

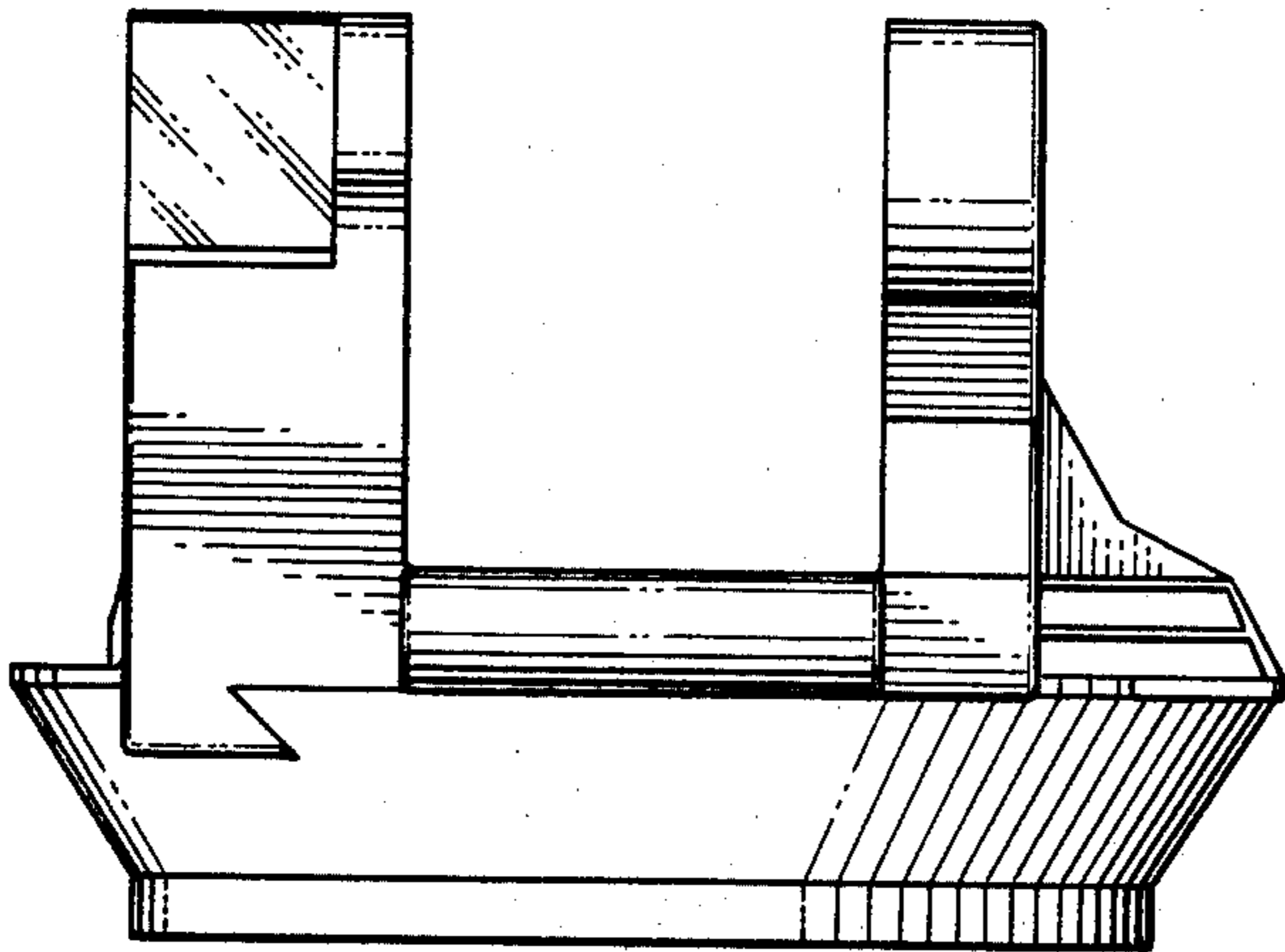


FIG. 6.

FIG. 7.

