

[54] HAND-HELD RESILIENT EXERCISE BLOCK

[76] Inventor: Thomas B. Rotella, 22 E. 7th St., Clifton, N.J. 07011

[\*\*] Term: 14 Years

[21] Appl. No.: 340,088

[22] Filed: Jan. 18, 1982

[52] U.S. Cl. .... D21/198

[58] Field of Search ..... D21/191-199; 273/93, 99, 109, 67, 68, 119, 122, 123, 125, 133, 136, 143, 900, 116, 141, 142

[56] References Cited

U.S. PATENT DOCUMENTS

3,265,389	8/1966	Carlson .....	272/68
3,326,550	6/1967	Melchiona .....	272/68
3,434,715	3/1969	Brantingham et al. ....	272/93

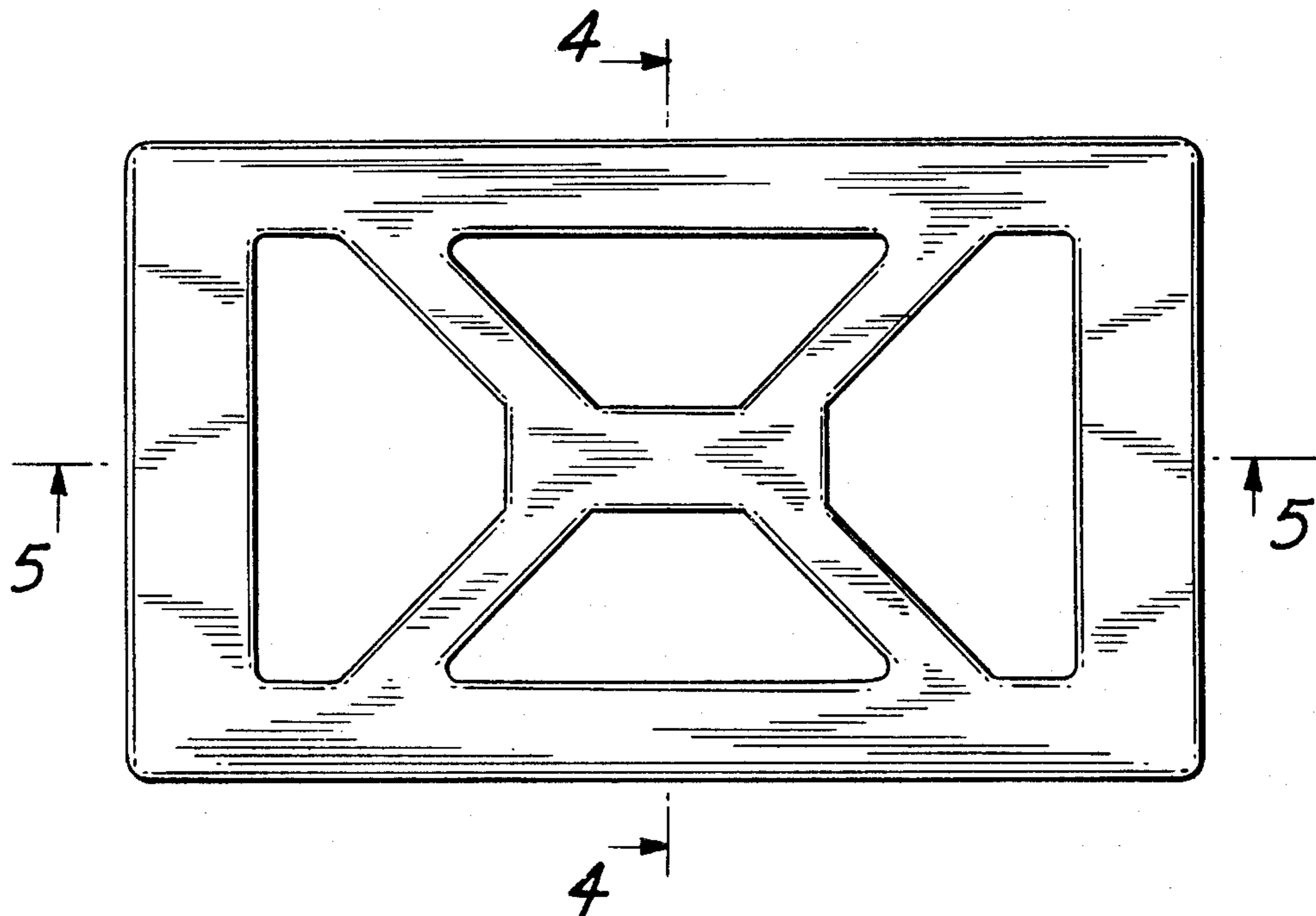
Primary Examiner—Charles A. Rademaker  
Attorney, Agent, or Firm—Samuelson & Jacob

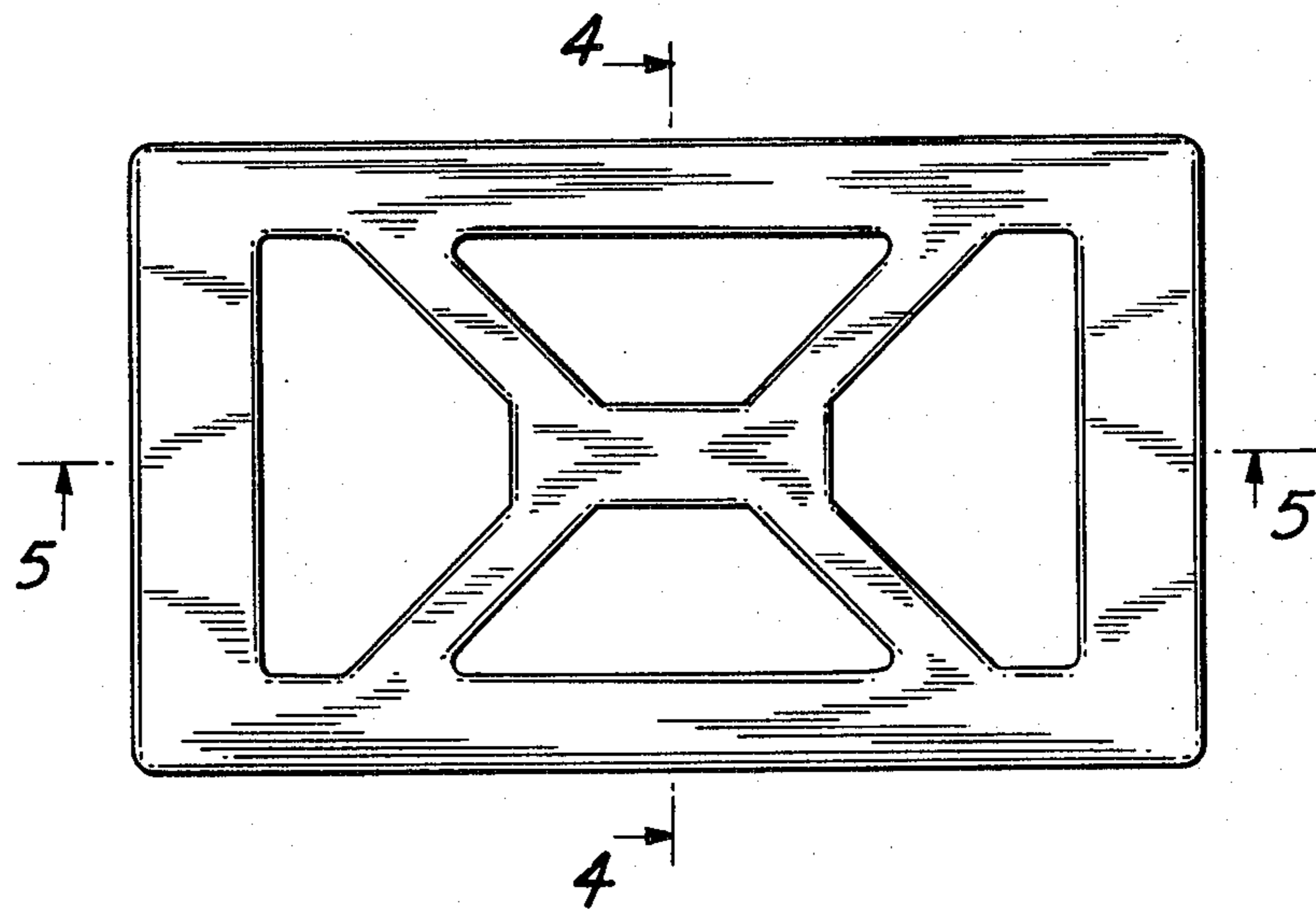
[57] CLAIM

The ornamental design for a hand-held resilient exercise block, as shown and described.

DESCRIPTION

FIG. 1 is a top plan view of a hand-held resilient exercise block showing my new design, the bottom plan view being identical;  
FIG. 2 is a side elevational view thereof, both sides being identical;  
FIG. 3 is a front elevational view thereof, the rear elevational view being identical;  
FIG. 4 is a cross-sectional view thereof taken along line 4—4 of FIG. 1; and  
FIG. 5 is a cross-sectional view thereof taken along line 5—5 of FIG. 1.

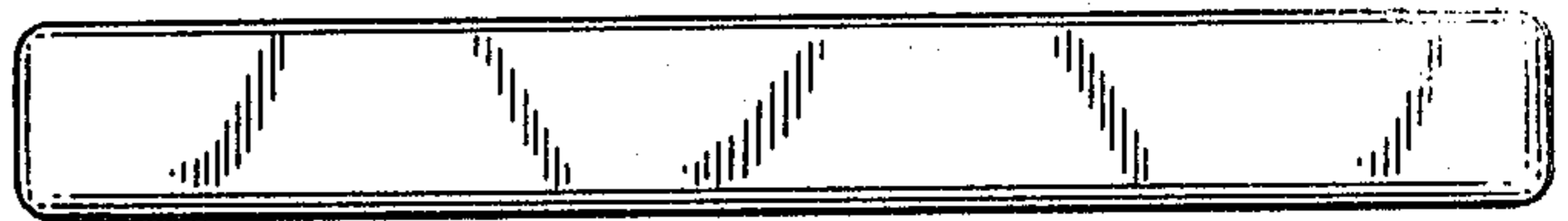




**FIG. 1**



**FIG. 2**



**FIG. 3**



**FIG. 4**



**FIG. 5**