

United States Patent [19]

Petersson et al.

[11] Patent Number: Des. 275,299

[45] Date of Patent: ** Aug. 28, 1984

[54] TOY VEHICLE

[75] Inventors: Nils A. I. Petersson, Killeberg; Nils B. L. Sander, Osby, both of Sweden

[73] Assignee: Brio Toy AB, Osby, Sweden

[**] Term: 14 Years

[21] Appl. No.: 380,101

[22] Filed: May 20, 1982

[52] U.S. Cl. D21/76; D21/134

[58] Field of Search D21/73, 76, 78, 79, D21/80, 128, 132, 134, 135, 136, 137, 140; 46/201, 222, 210, 223; D34/16; 280/87.01; D12/93, 99, 112

[56] References Cited

U.S. PATENT DOCUMENTS

D. 135,883 6/1943 Williams D21/78
D. 136,950 1/1944 Dodson D21/134
D. 137,962 5/1944 Patner D21/80
2,676,054 4/1954 Pasin 280/87.01

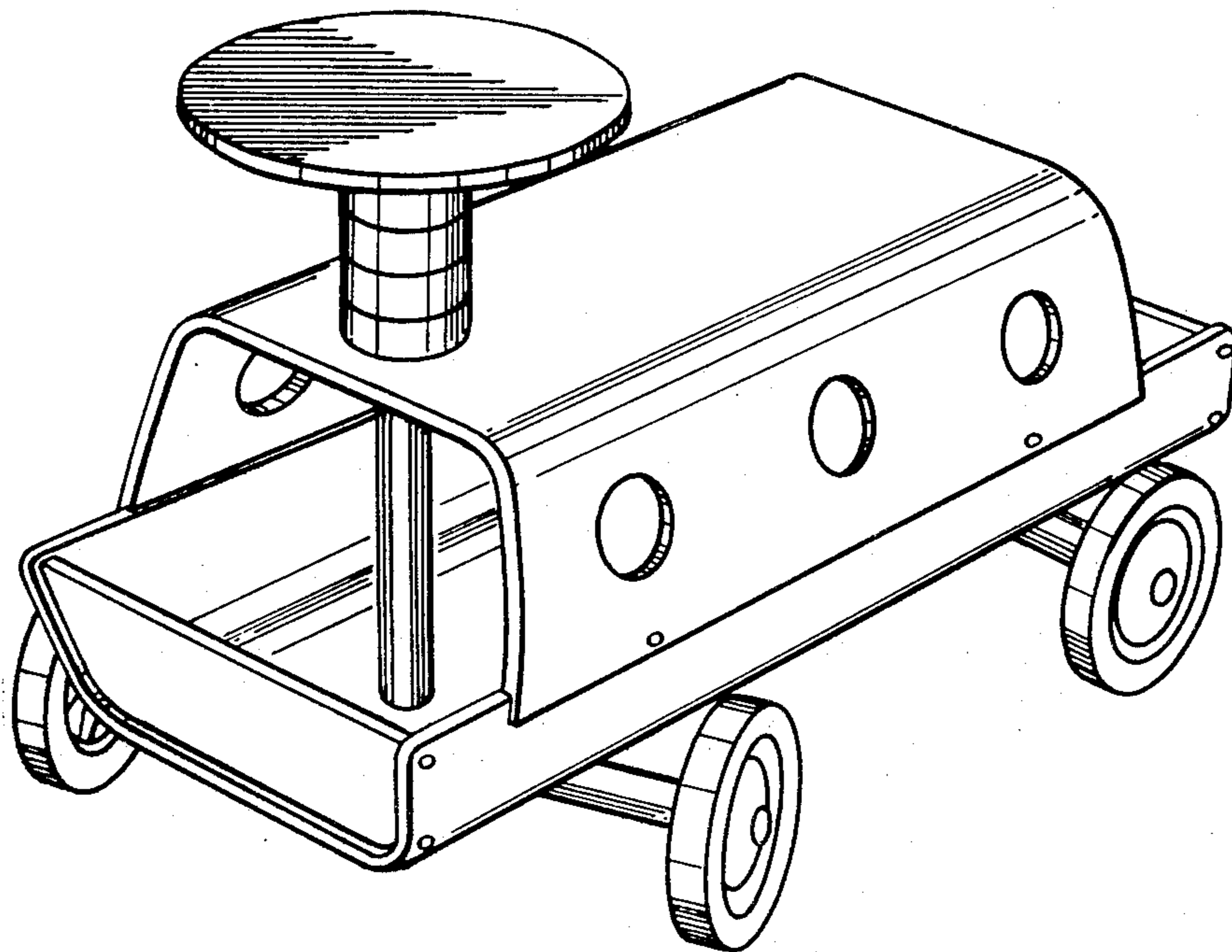
Primary Examiner—Charles A. Rademaker
Attorney, Agent, or Firm—Barnes, Kisselle, Raisch, Choate, Whittemore & Hulbert

[57] CLAIM

The ornamental design for a toy vehicle, as shown and described.

DESCRIPTION

FIG. 1 is a front perspective view of a toy vehicle showing our new design; and, FIG. 2 is another perspective view thereof shown in an inverted condition.



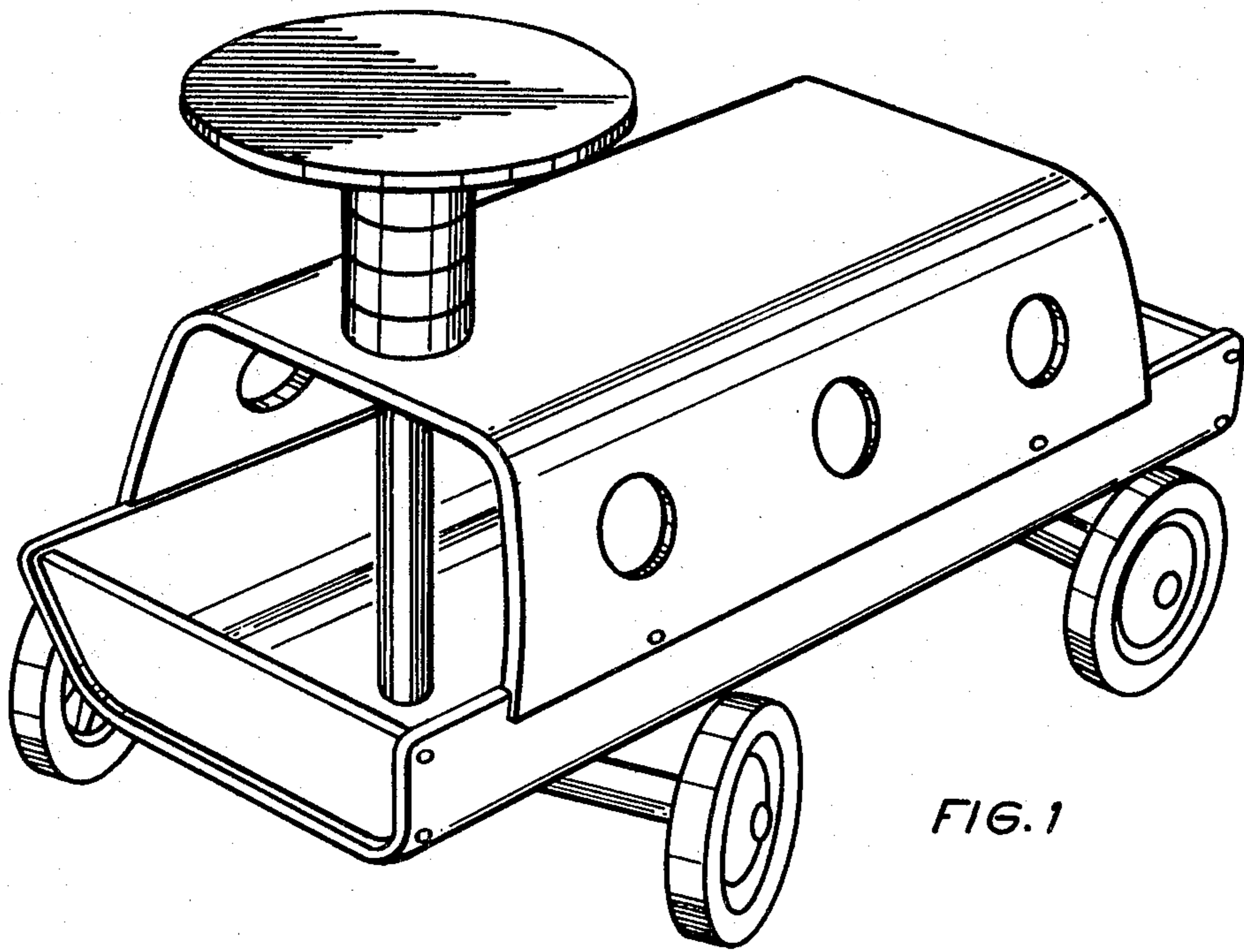


FIG. 1

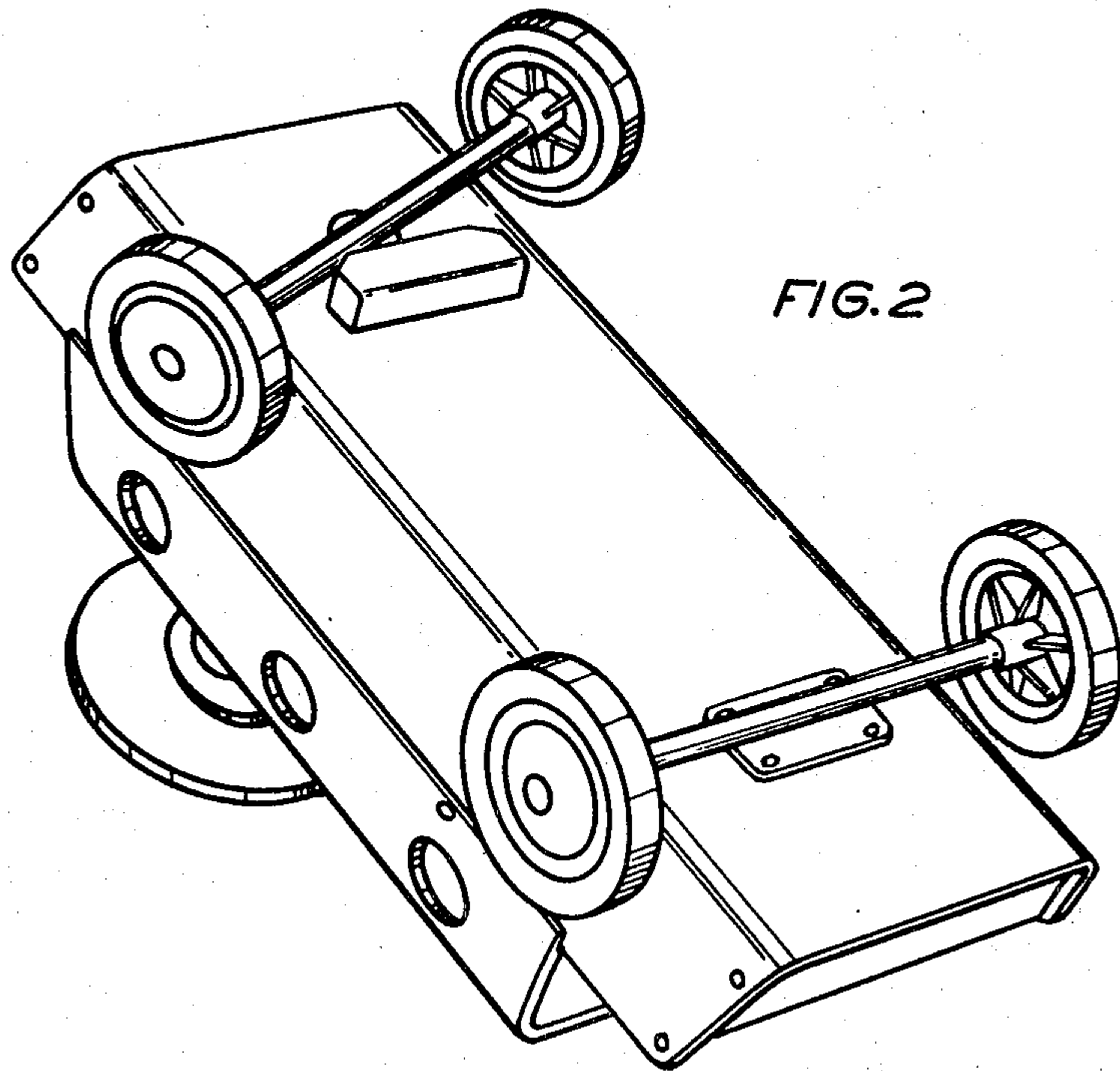


FIG. 2