

[54] BETA BLOCKER DEMONSTRATION HOUSING OR THE LIKE

[75] Inventor: Alfred H. Wimmershoff, Westwood, N.J.

[73] Assignee: Sandoz, Inc., E. Hanover, N.J.

[\*\*] Term: 14 Years

[21] Appl. No.: 344,177

[22] Filed: Jan. 29, 1982

[52] U.S. Cl. .... D19/62

[58] Field of Search ..... D19/62, 60; 434/262, 434/268, 267, 272, 269, 430

[56] References Cited

U.S. PATENT DOCUMENTS

396,381	1/1889	Yaggy .....	434/269
2,016,151	10/1935	Levene .....	434/272
3,171,216	3/1965	Douthit et al. ....	434/269
3,688,008	8/1972	Krieger, Sr. ....	434/268
4,091,549	5/1978	Driller et al. ....	434/272

Primary Examiner—Melvin B. Feifer  
Attorney, Agent, or Firm—Gerald D. Sharkin; Robert S. Honor; Walter F. Jewell

[57] CLAIM

The ornamental design for a beta blocker demonstration housing or the like, as shown and described.

DESCRIPTION

FIG. 1 is an isometric view of a beta blocker demonstration housing or the like showing my new design with the cover open and the stand in an extended position, the legible matter is sketchily depicted for ease of illustration;

FIG. 2 is an isometric view thereof with the cover closed;

FIG. 3 is an isometric view thereof with both the cover and the stand in a closed position;

FIG. 4 is a front end elevation of the housing with both the cover and side flap and the stand in a closed position;

FIG. 5 is a front end elevation of the housing with the cover open and a battery pack area exposed;

FIG. 6 is a top plane view of the housing with the cover open showing details of the display area;

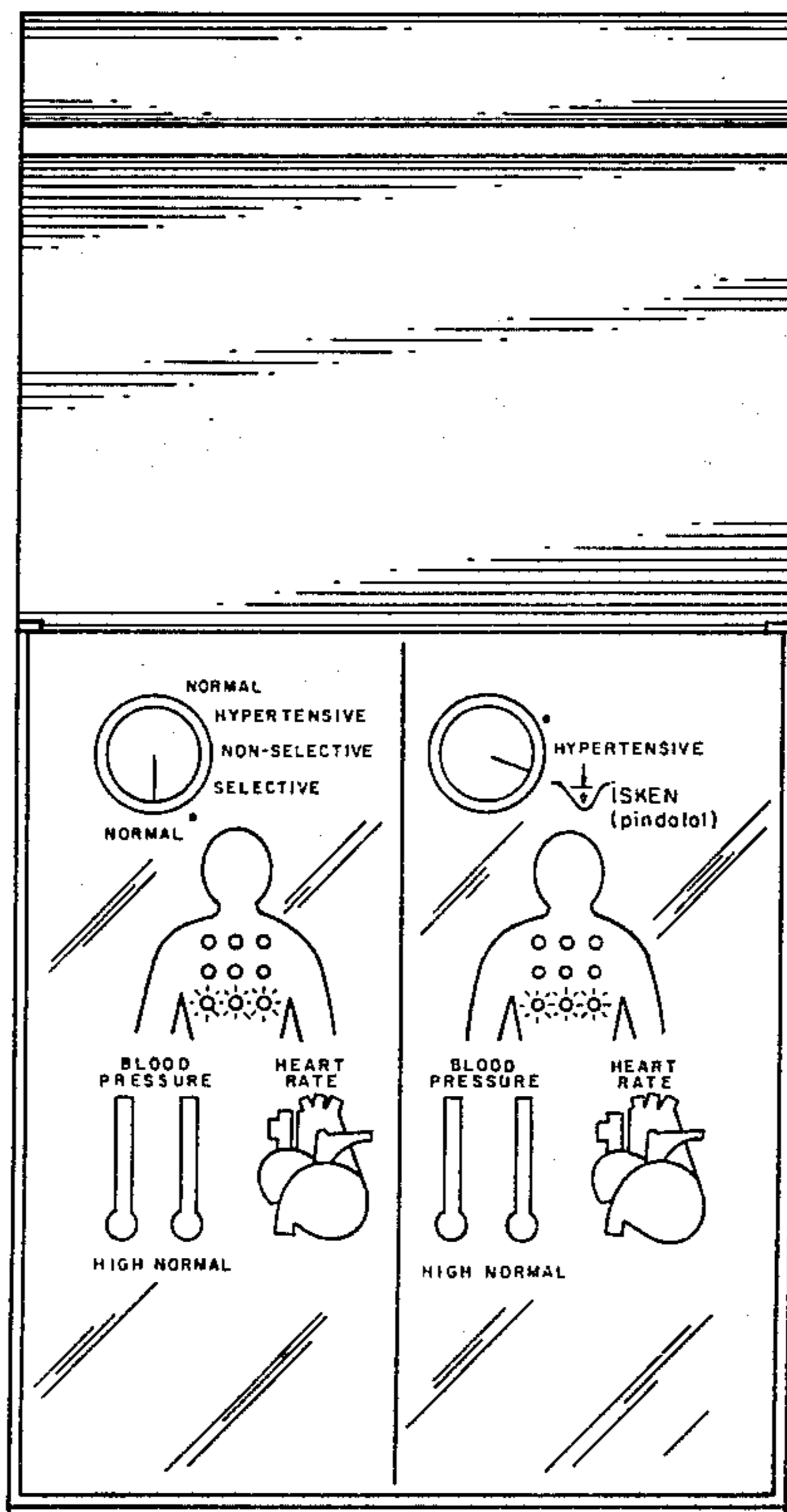
FIG. 7 is a bottom view of the housing of FIG. 3;

FIG. 8 is a side elevation of the housing taken from the right side of FIG. 3, with the stand slightly open;

FIG. 9 is another embodiment wherein a handle is provided on the left side of FIG. 3;

FIG. 10 is a back elevation of the housing with both the cover and the stand in a closed position; and

FIG. 11 is a back view of the housing with the stand in an open position.



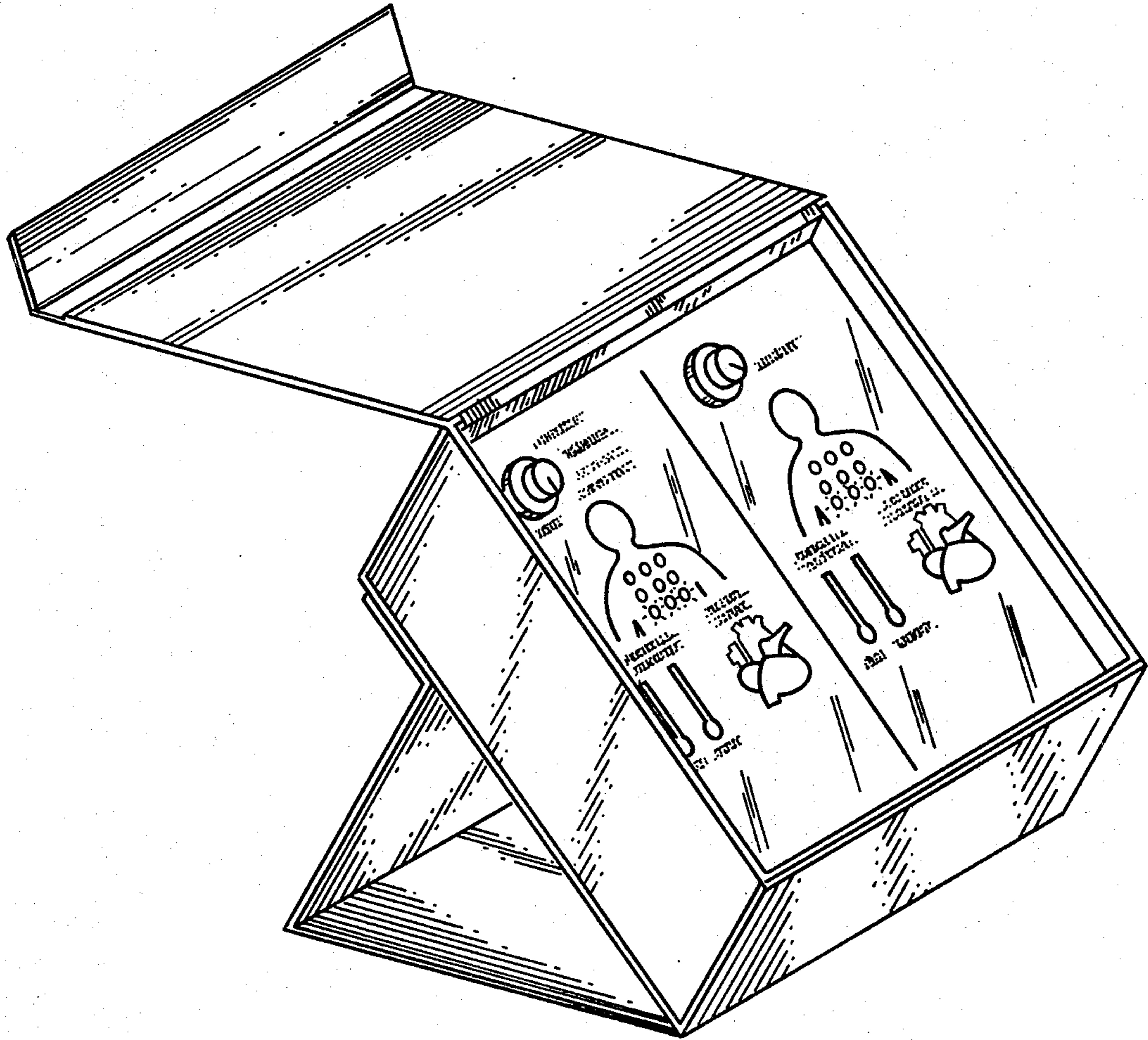


FIG. 1

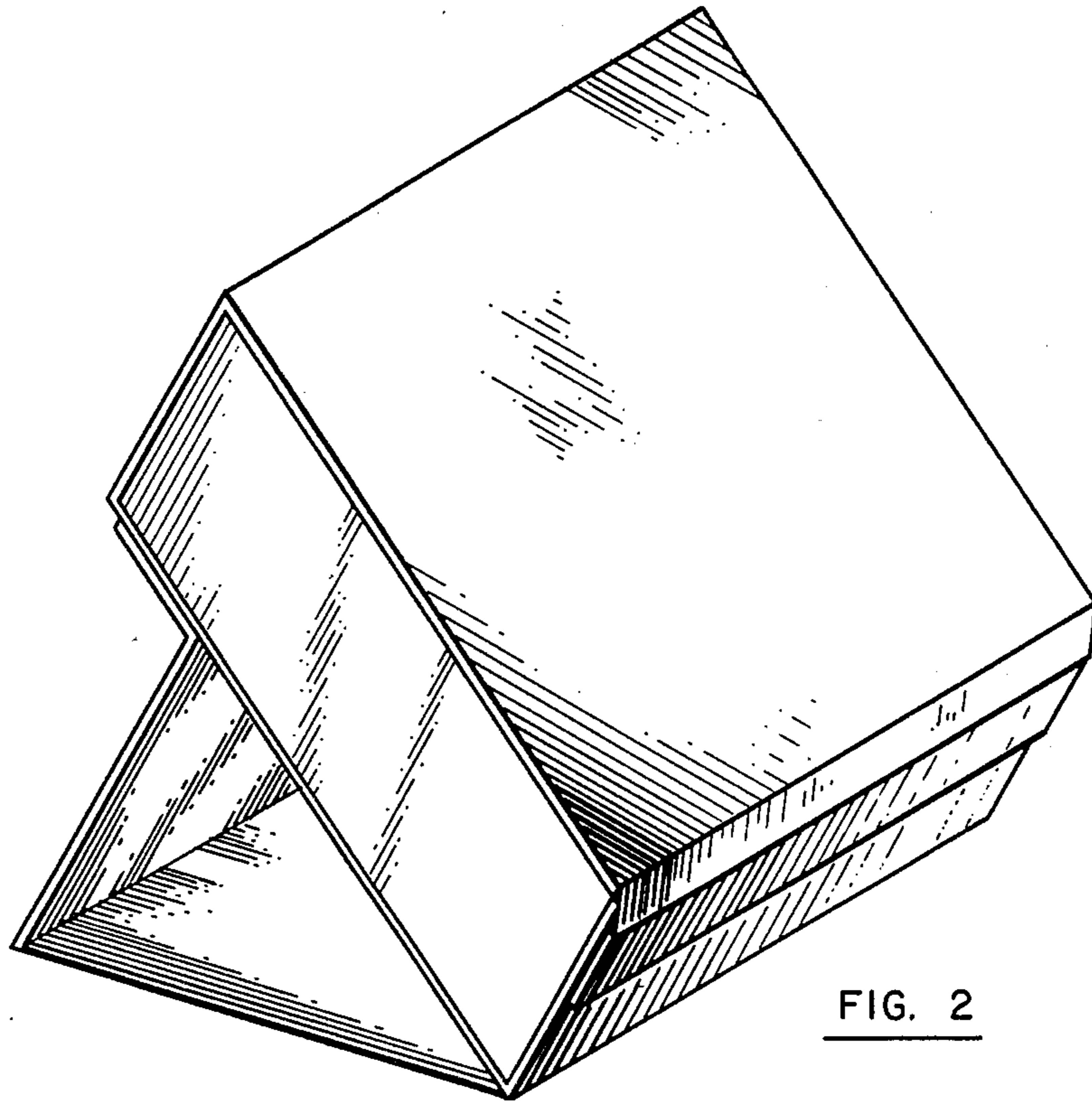


FIG. 2

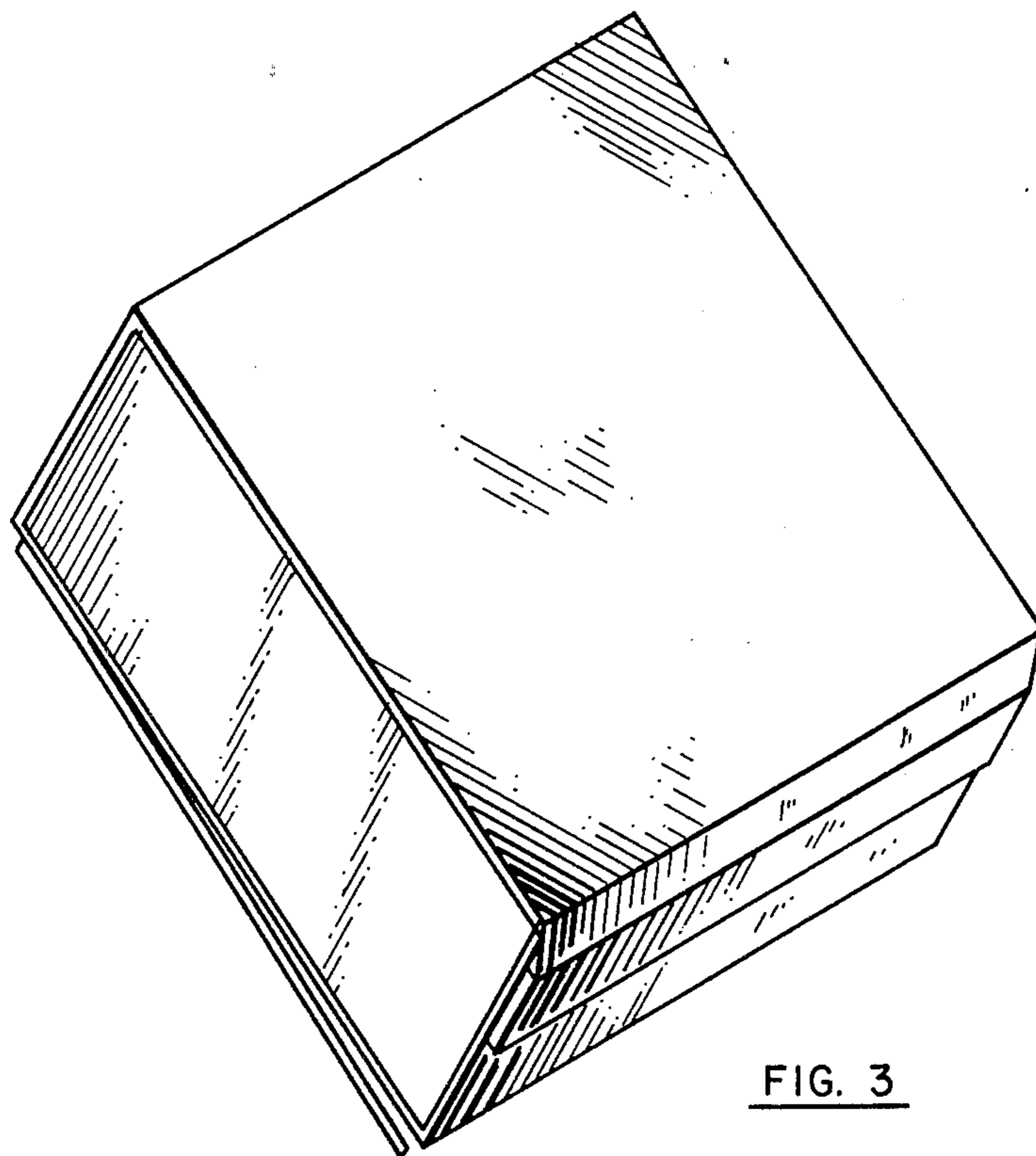


FIG. 3

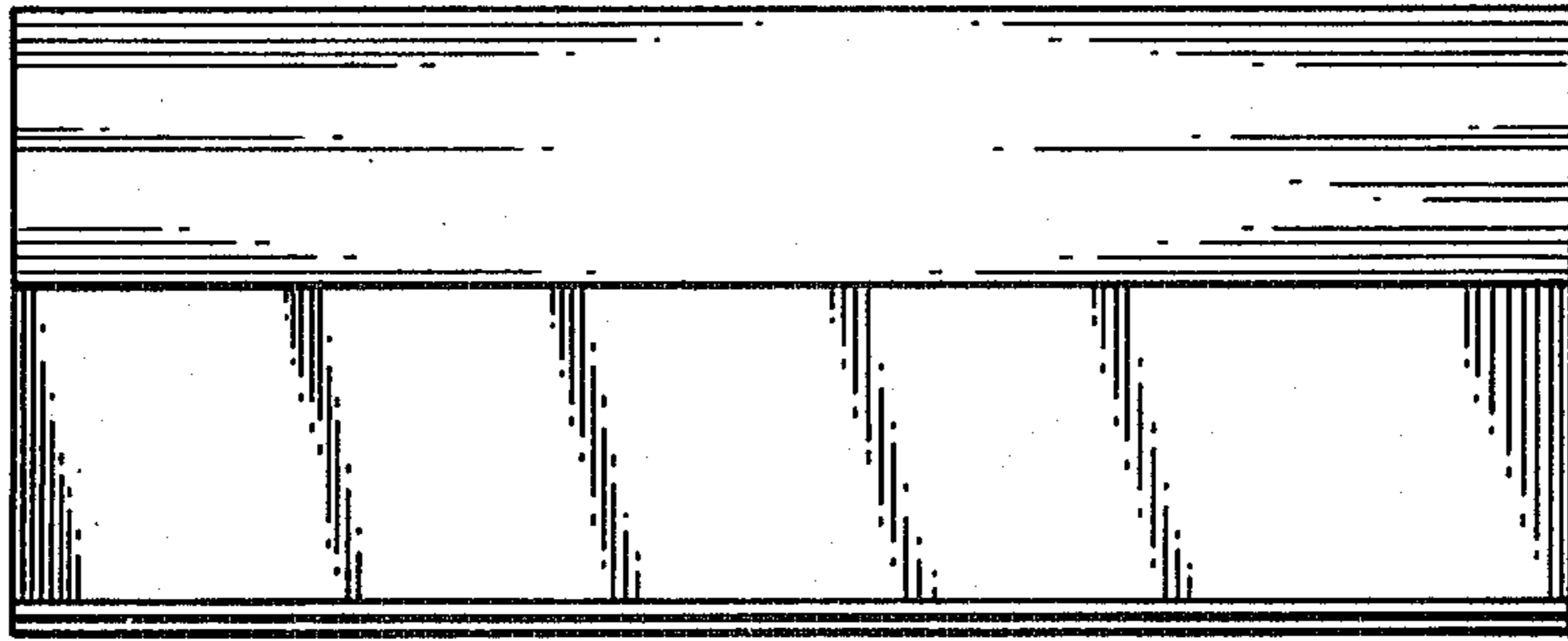


FIG. 4

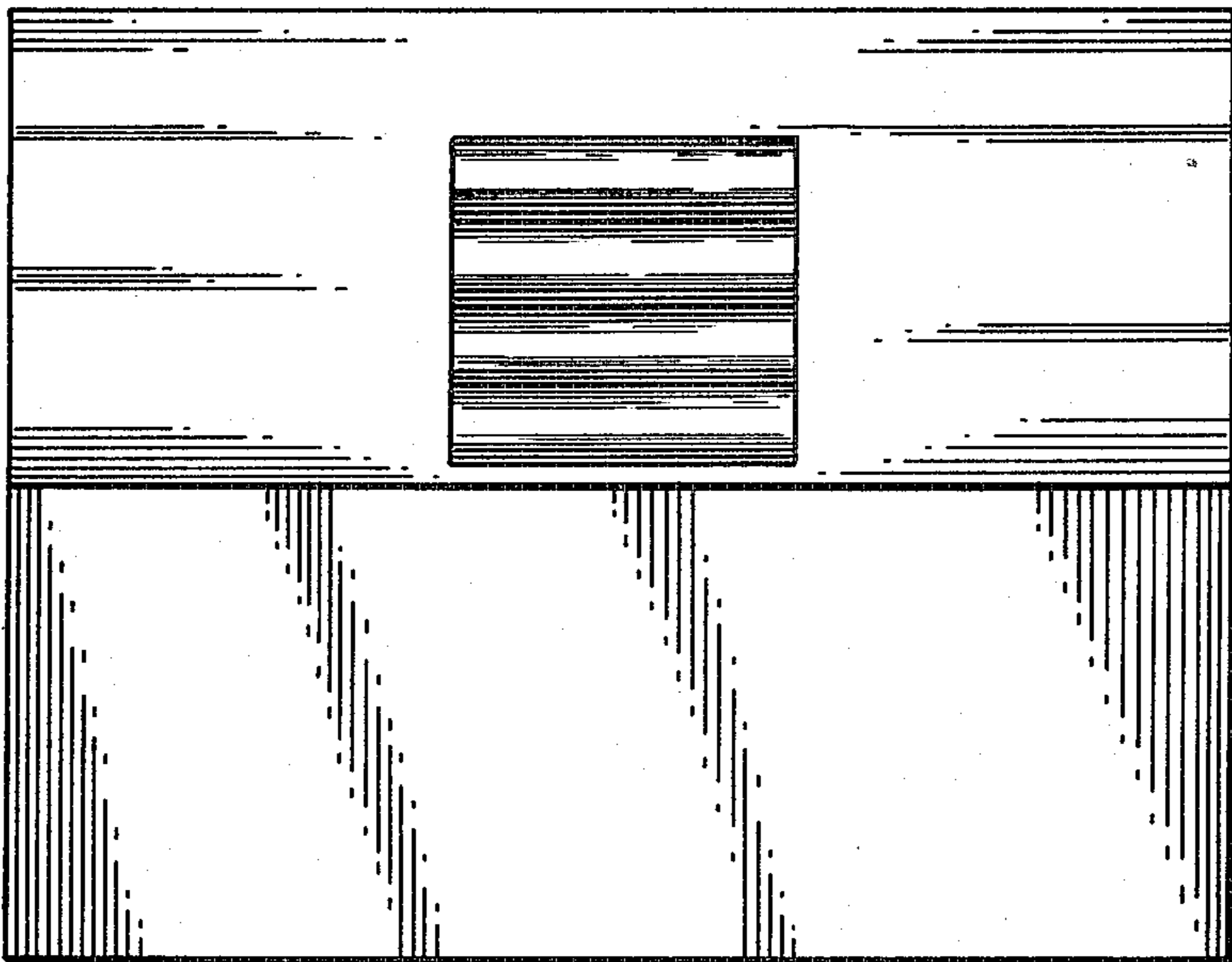


FIG. 5

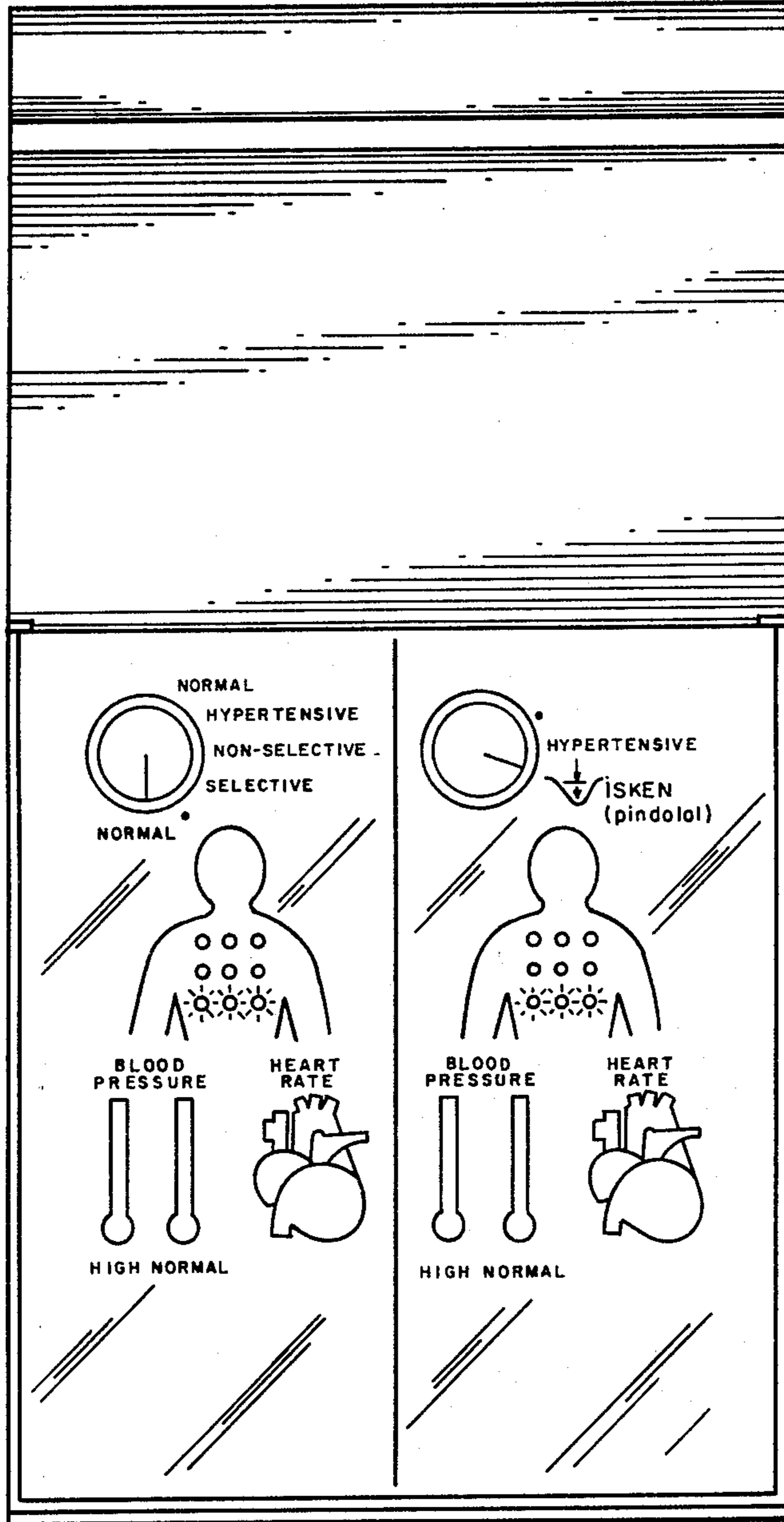


FIG. 6

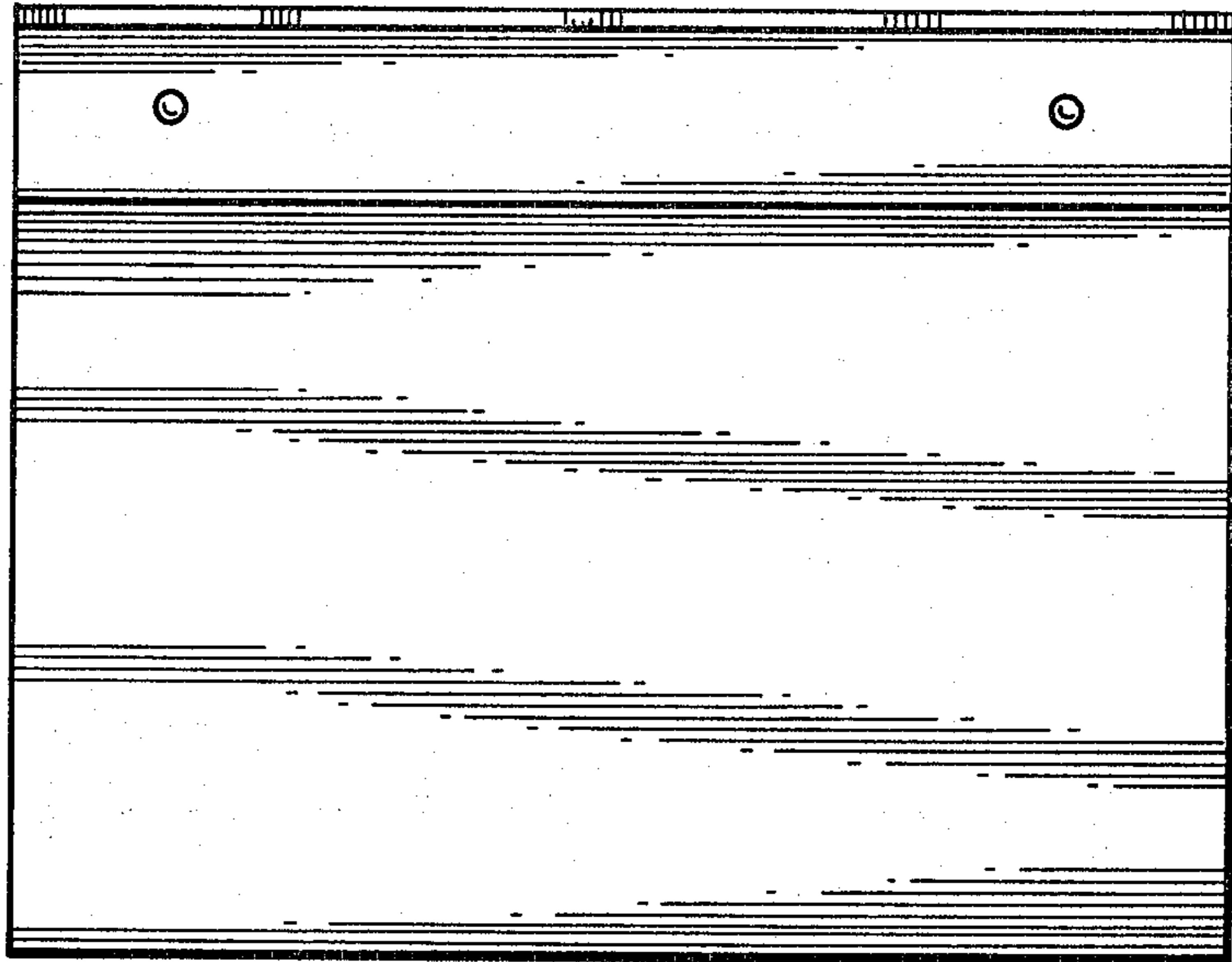


FIG. 7

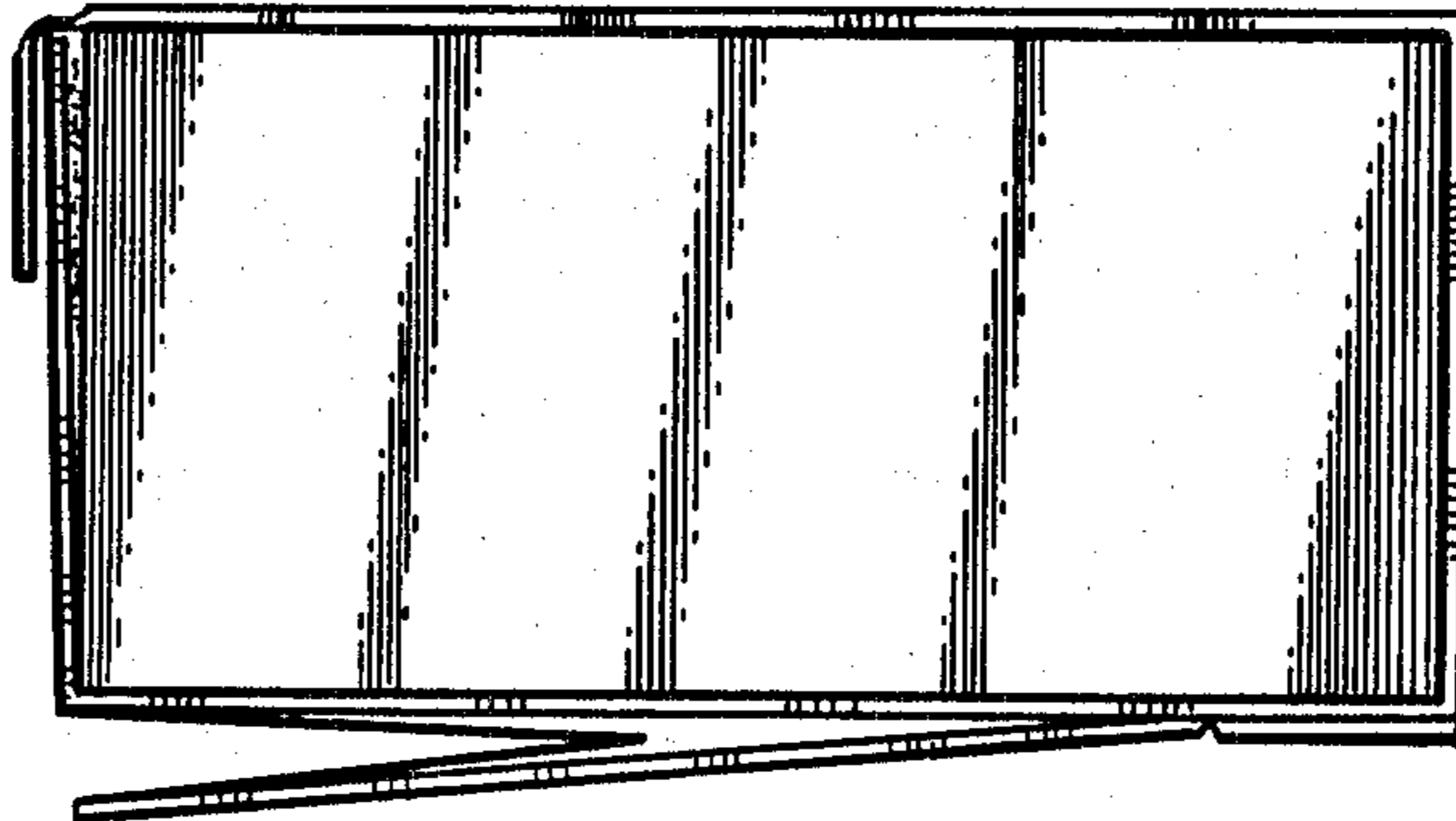


FIG. 8

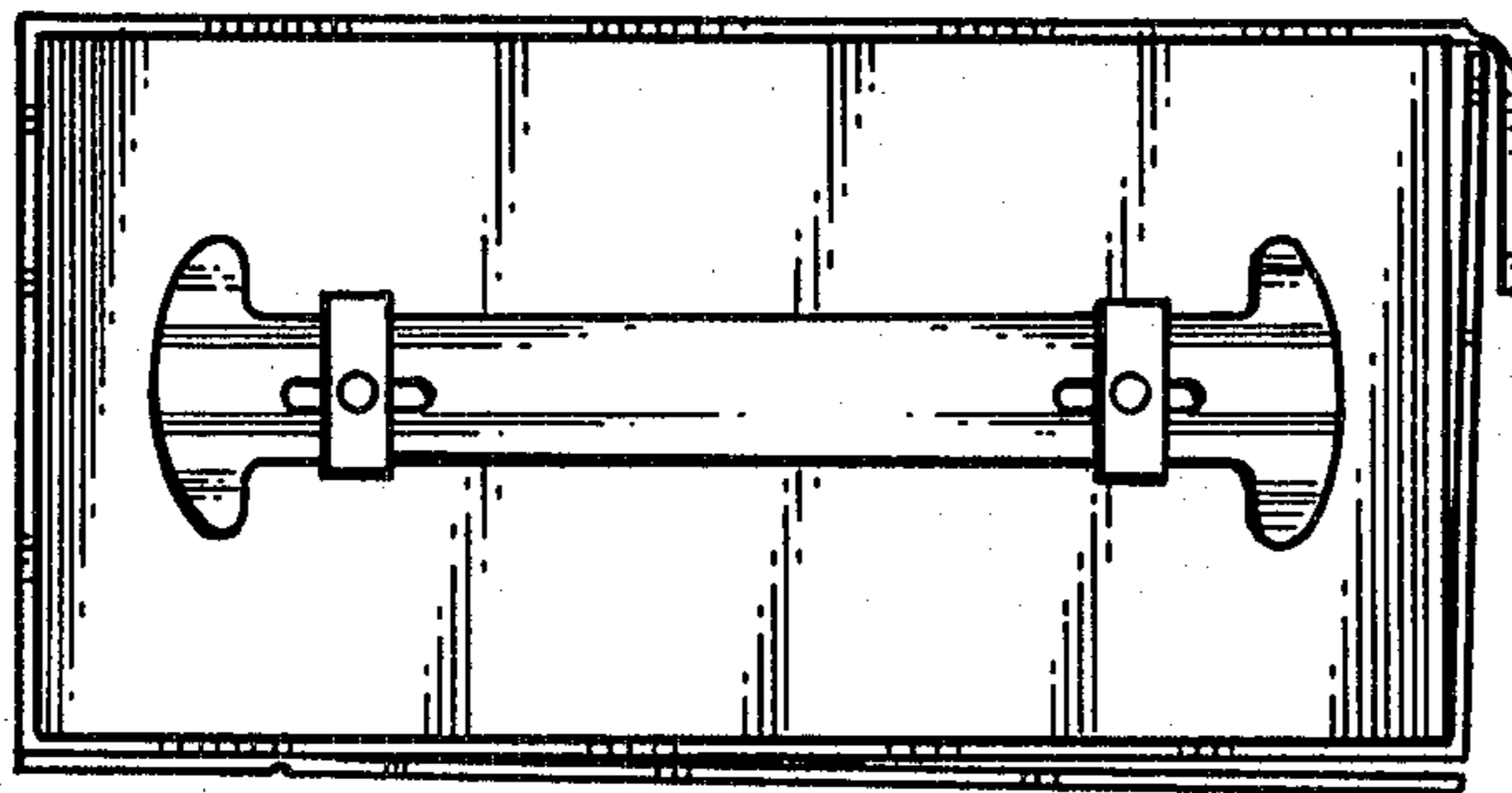


FIG. 9

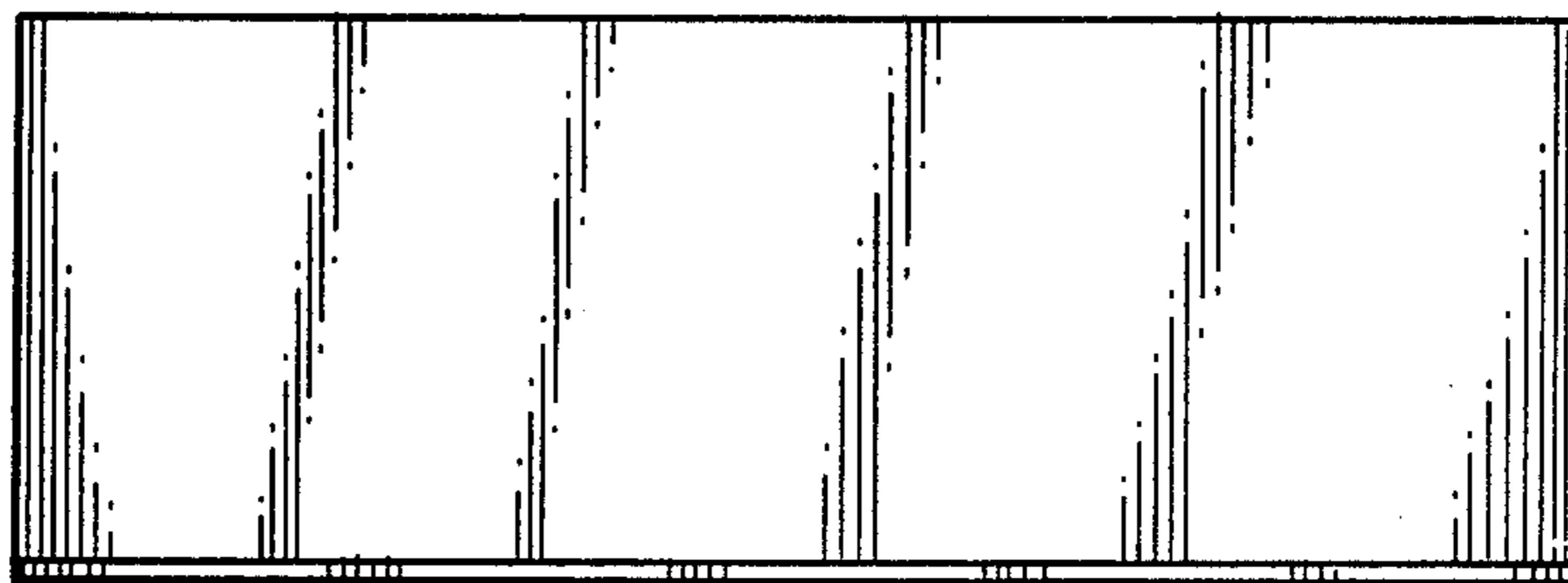


FIG. 10

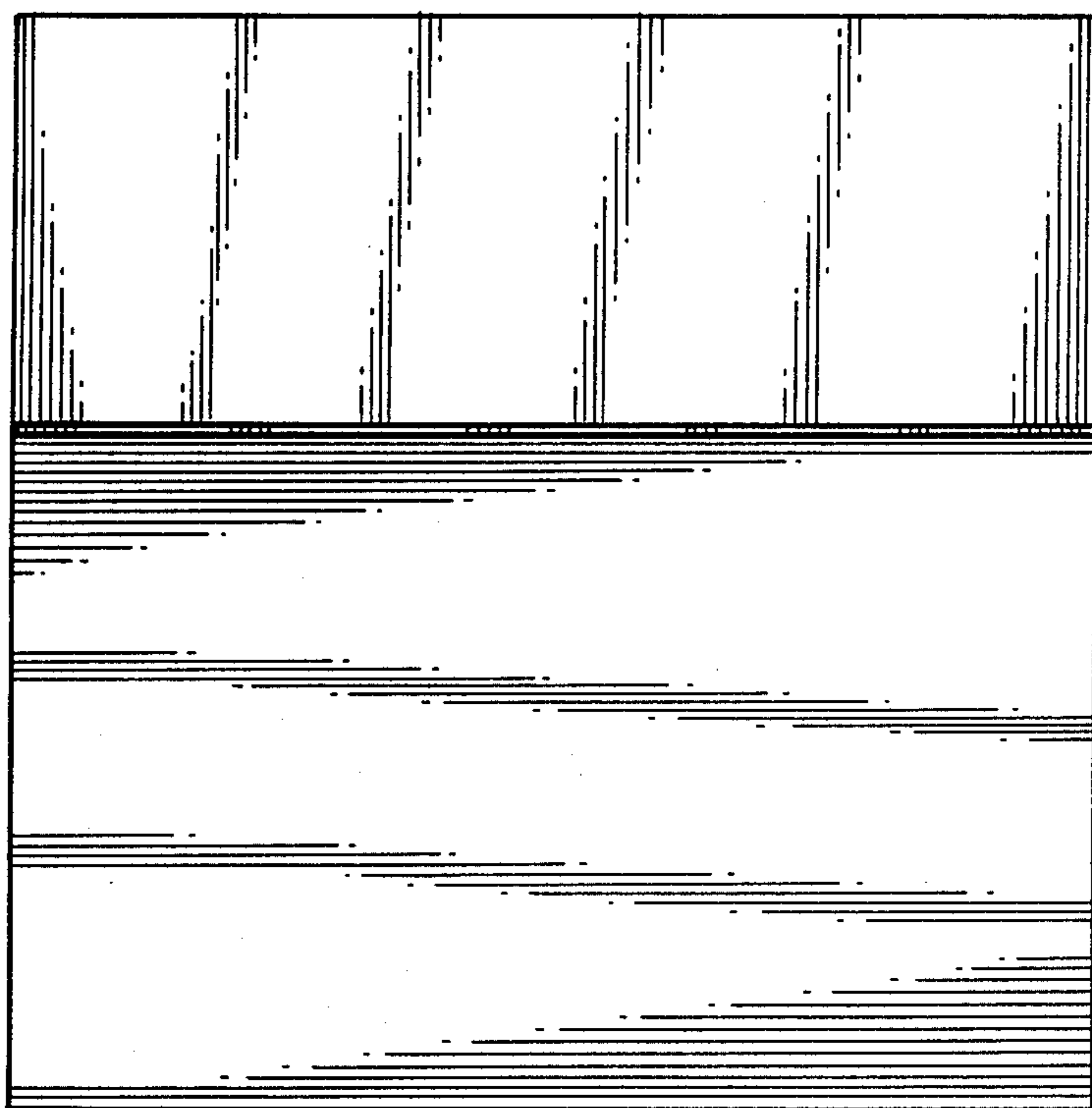


FIG. 11