

[54] SURVEILLANCE CAMERA HOUSING

[76] Inventor: Raymond V. Pagano, 308 Superior Dr., Decatur, Ga. 30030

[**] Term: 14 Years

[21] Appl. No.: 397,205

[22] Filed: Jul. 12, 1982

[52] U.S. Cl. D16/2

[58] Field of Search D16/1, 2, 3, 10, 44, D16/47; 354/81; 358/108, 129

[56] References Cited

U.S. PATENT DOCUMENTS

- D. 203,678 2/1966 Newton D16/2
- D. 226,032 1/1973 Siesholtz D16/2
- D. 233,170 10/1974 Gideon D16/2

- D. 248,305 6/1978 Scott D16/2
- 3,732,368 5/1973 Mahlab 358/108
- 3,739,703 6/1973 Behles 354/81
- 4,320,949 3/1982 Pagano 354/81

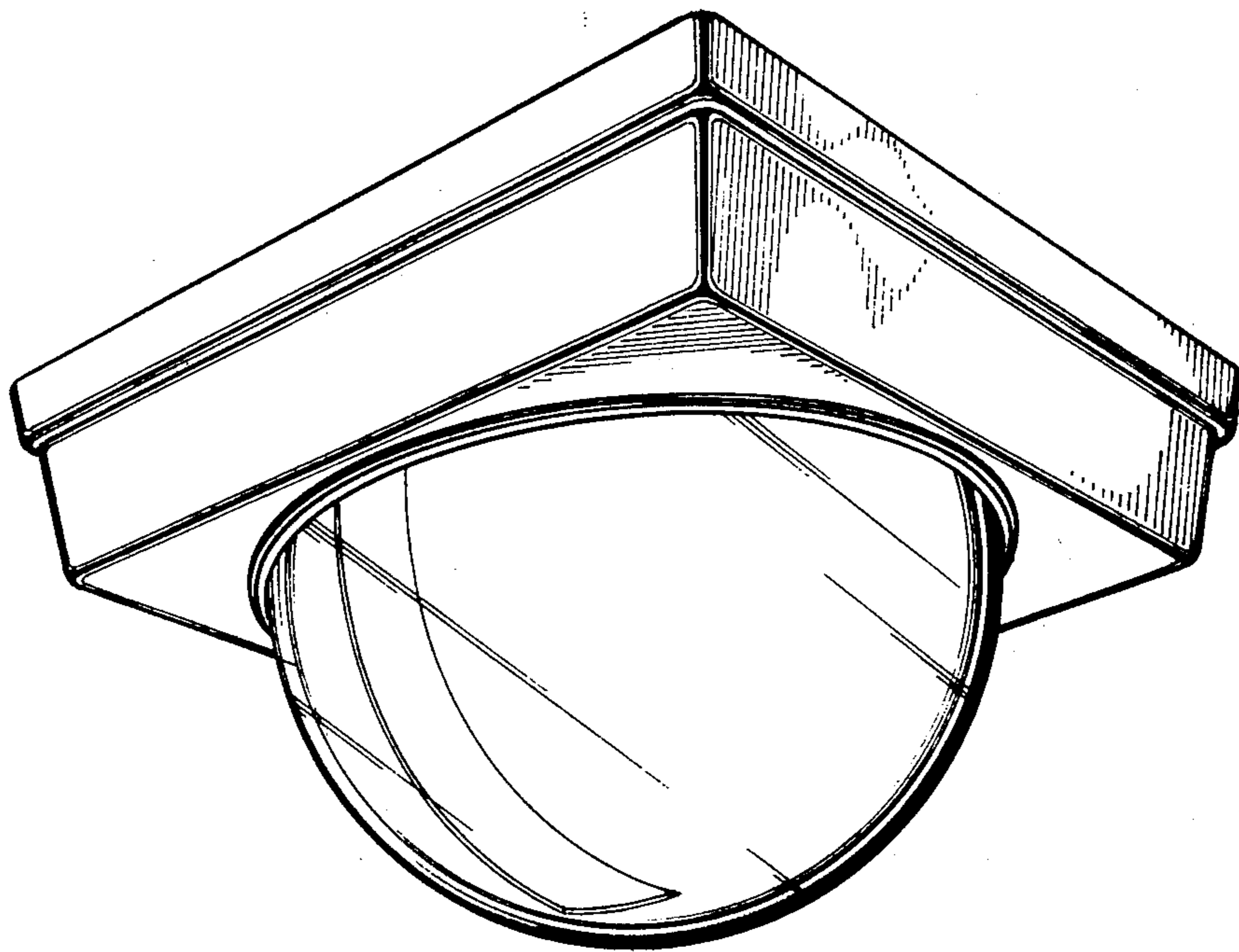
Primary Examiner—Nelson C. Holtje

[57] CLAIM

The ornamental design for surveillance camera housing, substantially as shown and described.

DESCRIPTION

FIG. 1 is a bottom and right-front perspective view of a surveillance camera housing showing my new design; FIG. 2 is a bottom plan view thereof; FIG. 3 is a front elevational view thereof, the rear being similar but with the viewing slot omitted; FIG. 4 is a right side elevational view thereof; FIG. 5 is a left side elevational view thereof.



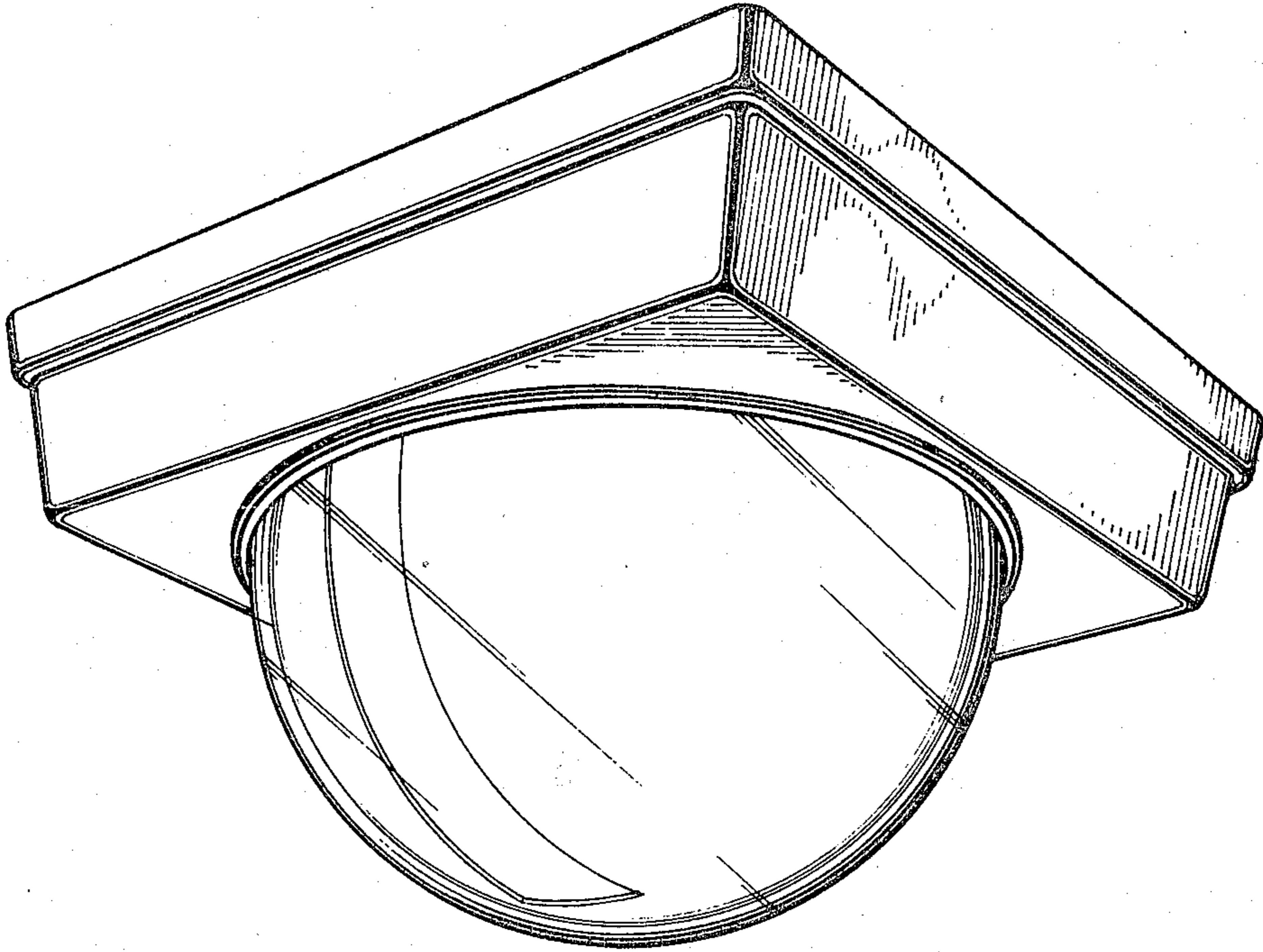


FIG 1

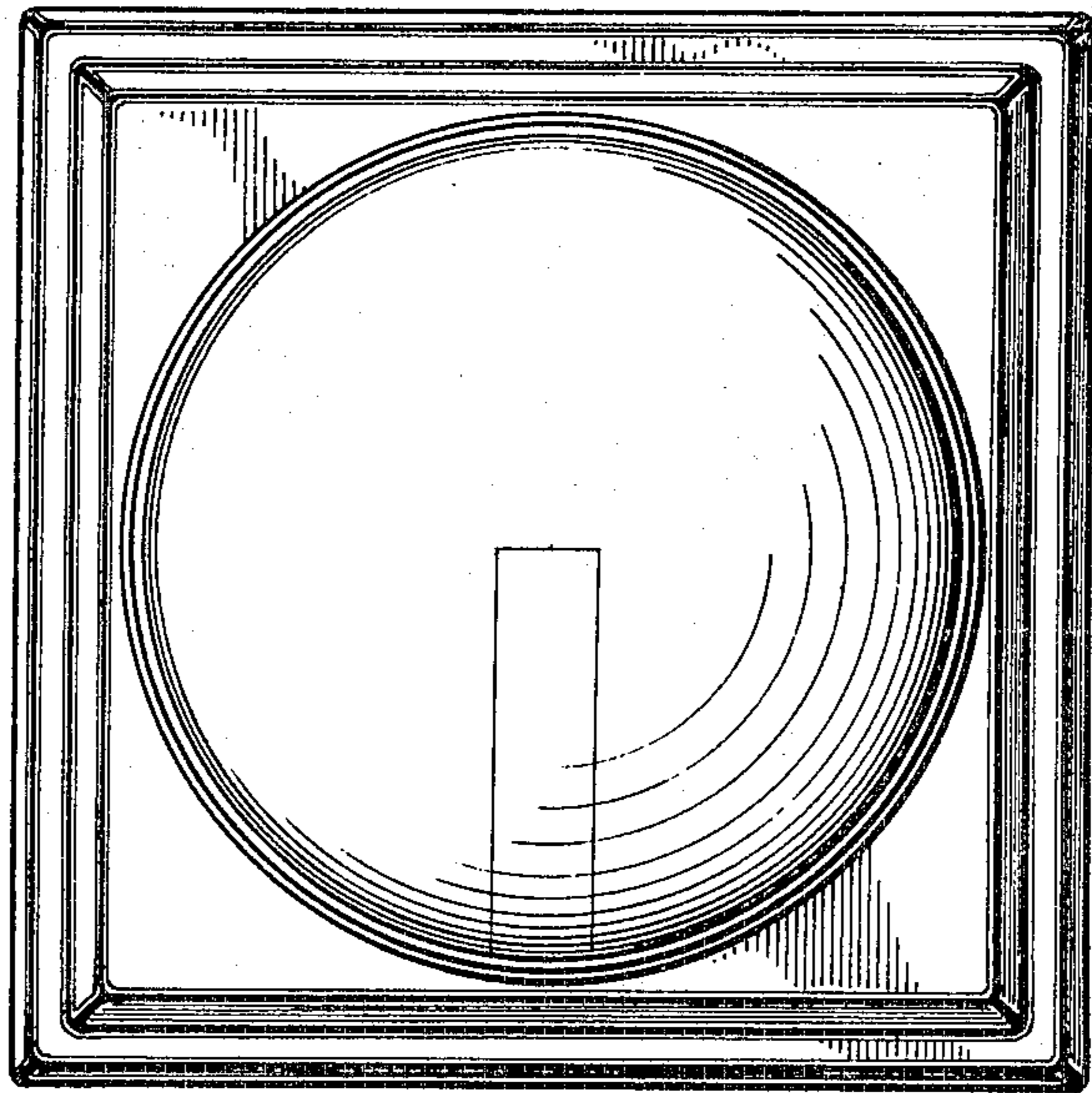


FIG 2

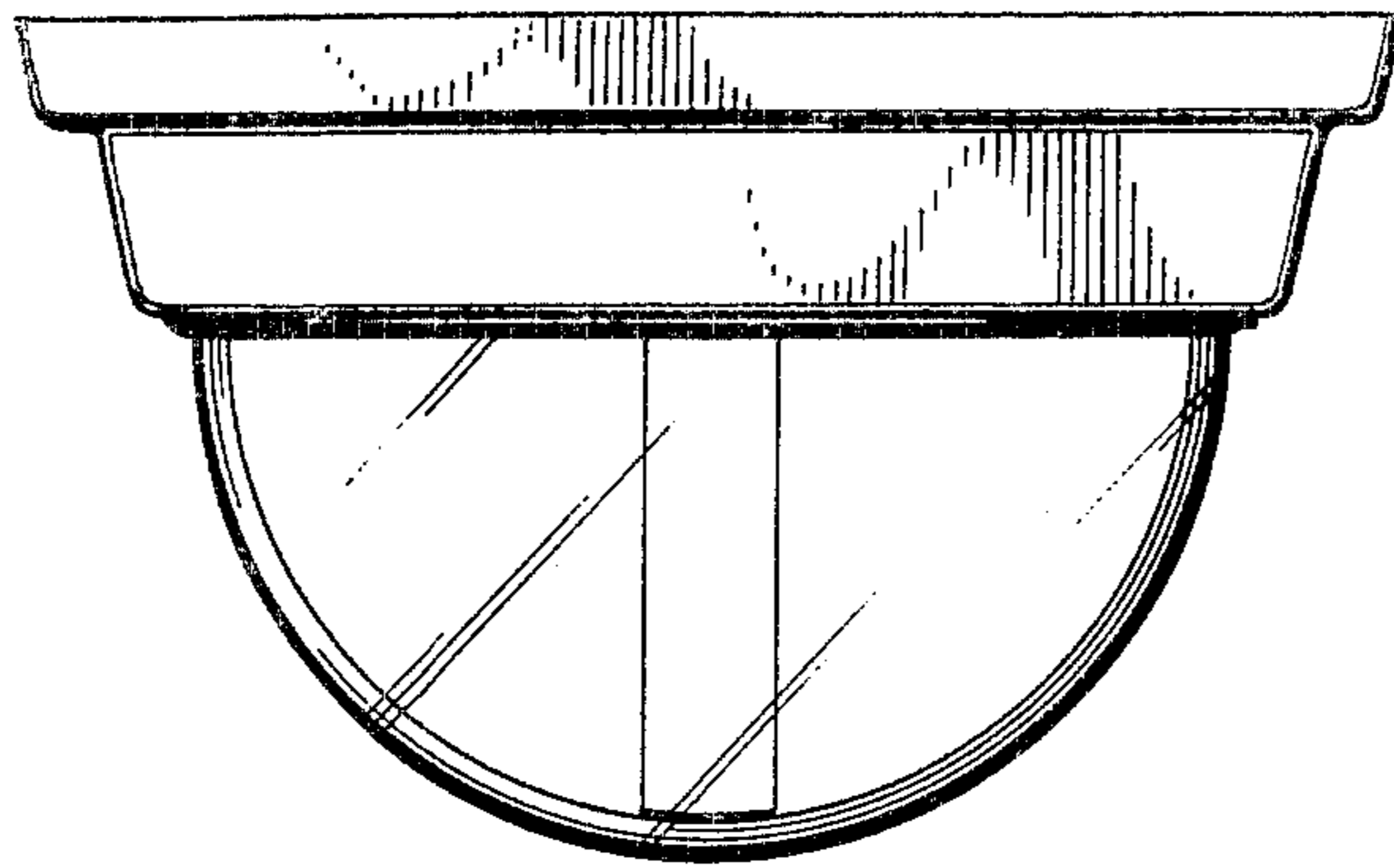


FIG 3

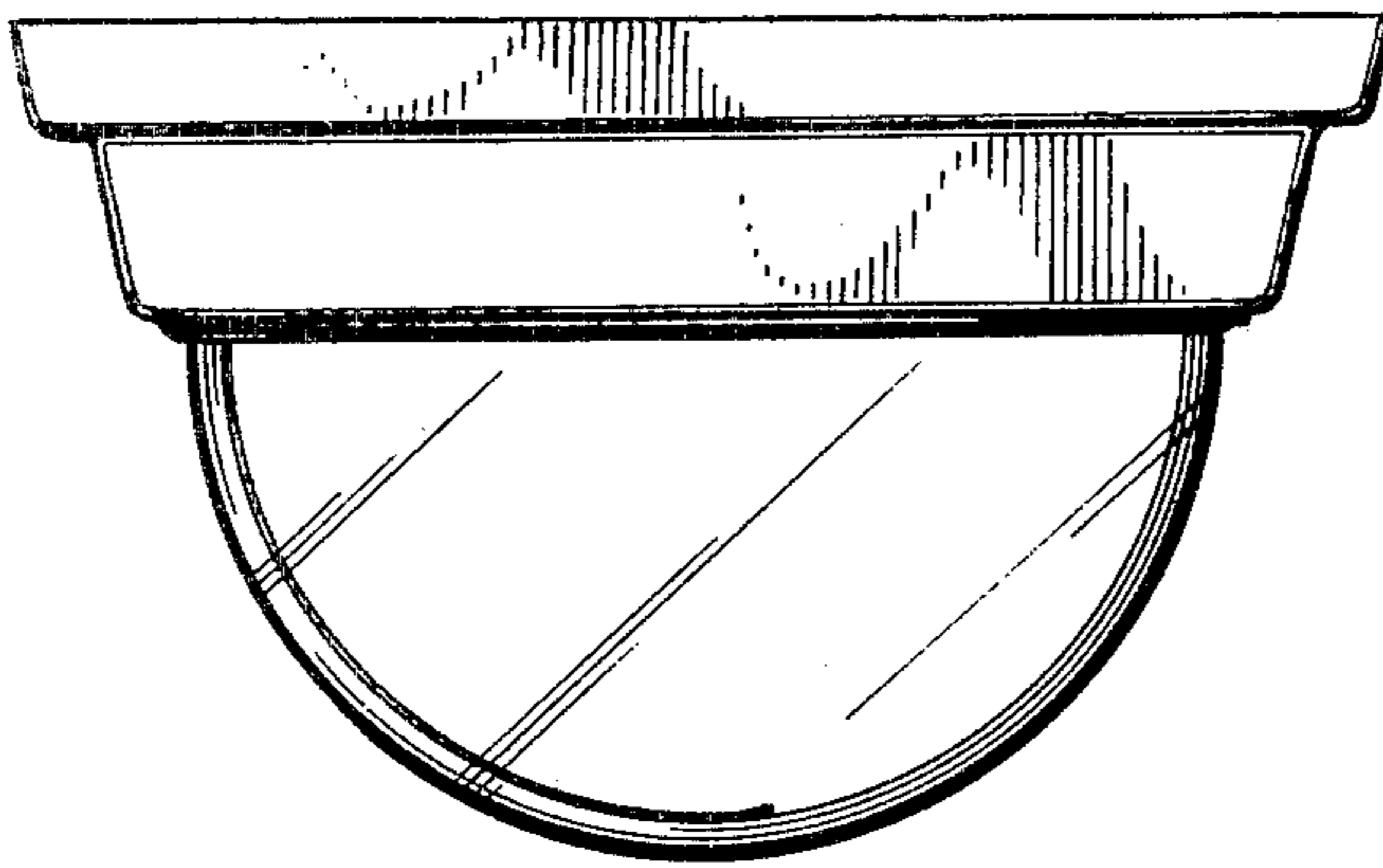


FIG 4

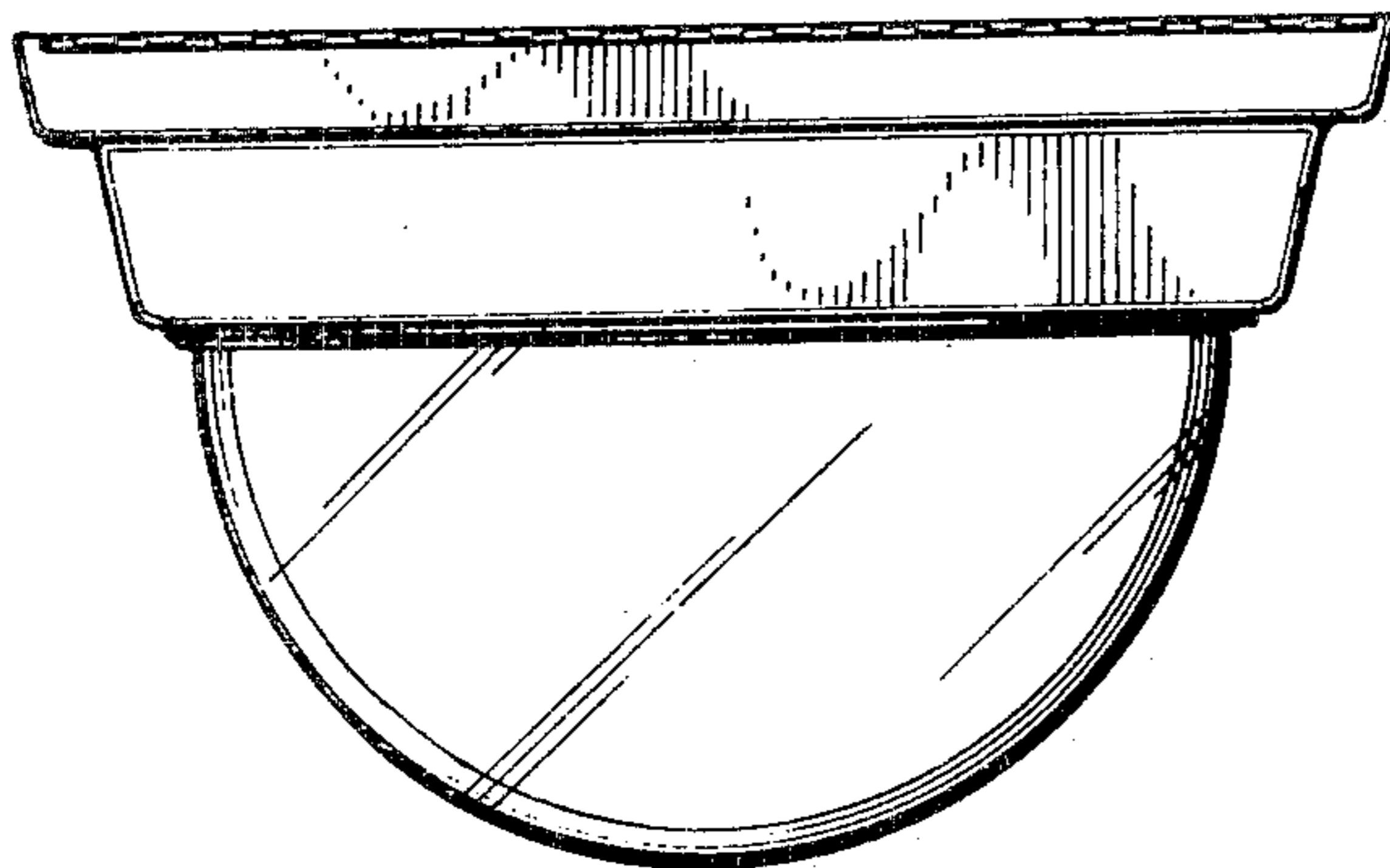


FIG 5