

[54] WELDING MACHINE

[75] Inventor: Mark H. Bouman, Burnsville, Minn.

[73] Assignee: Century Mfg. Co., Minneapolis, Minn.

[**] Term: 14 Years

[21] Appl. No.: 409,727

[22] Filed: Aug. 19, 1982

[52] U.S. Cl. D15/144

[58] Field of Search D15/144; 219/53, 54, 219/68, 69 R, 70, 90, 116, 136, 137 PS

[56] References Cited

U.S. PATENT DOCUMENTS

- D. 142,377 9/1945 Dunn D15/144
- D. 178,843 9/1956 McNutt D15/144

- D. 210,208 2/1968 Frelin D15/144
- D. 243,459 2/1977 Bliss D15/144
- 2,866,076 12/1958 Averstn 219/53

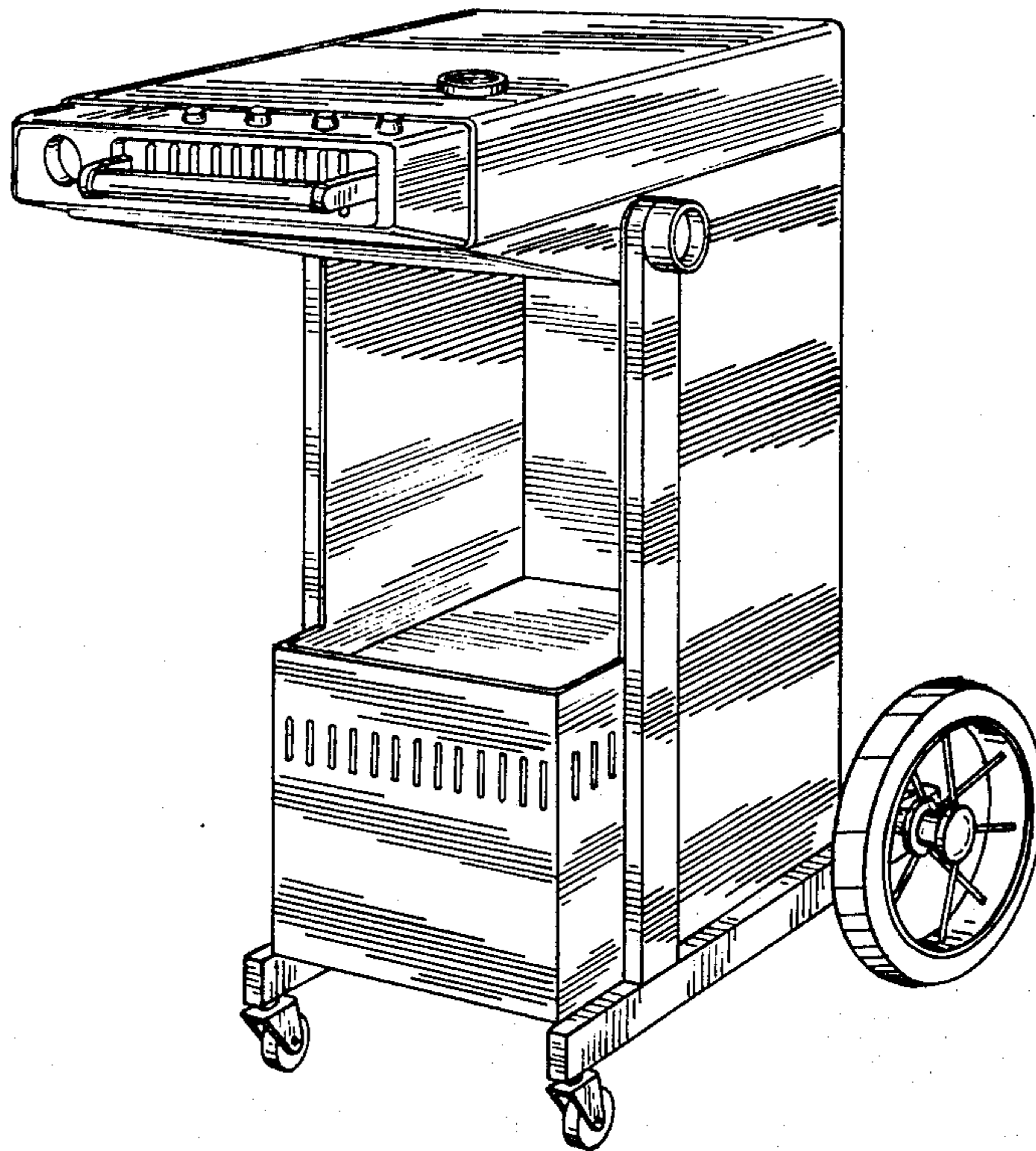
Primary Examiner—B. J. Bullock
Attorney, Agent, or Firm—Leo Gregory

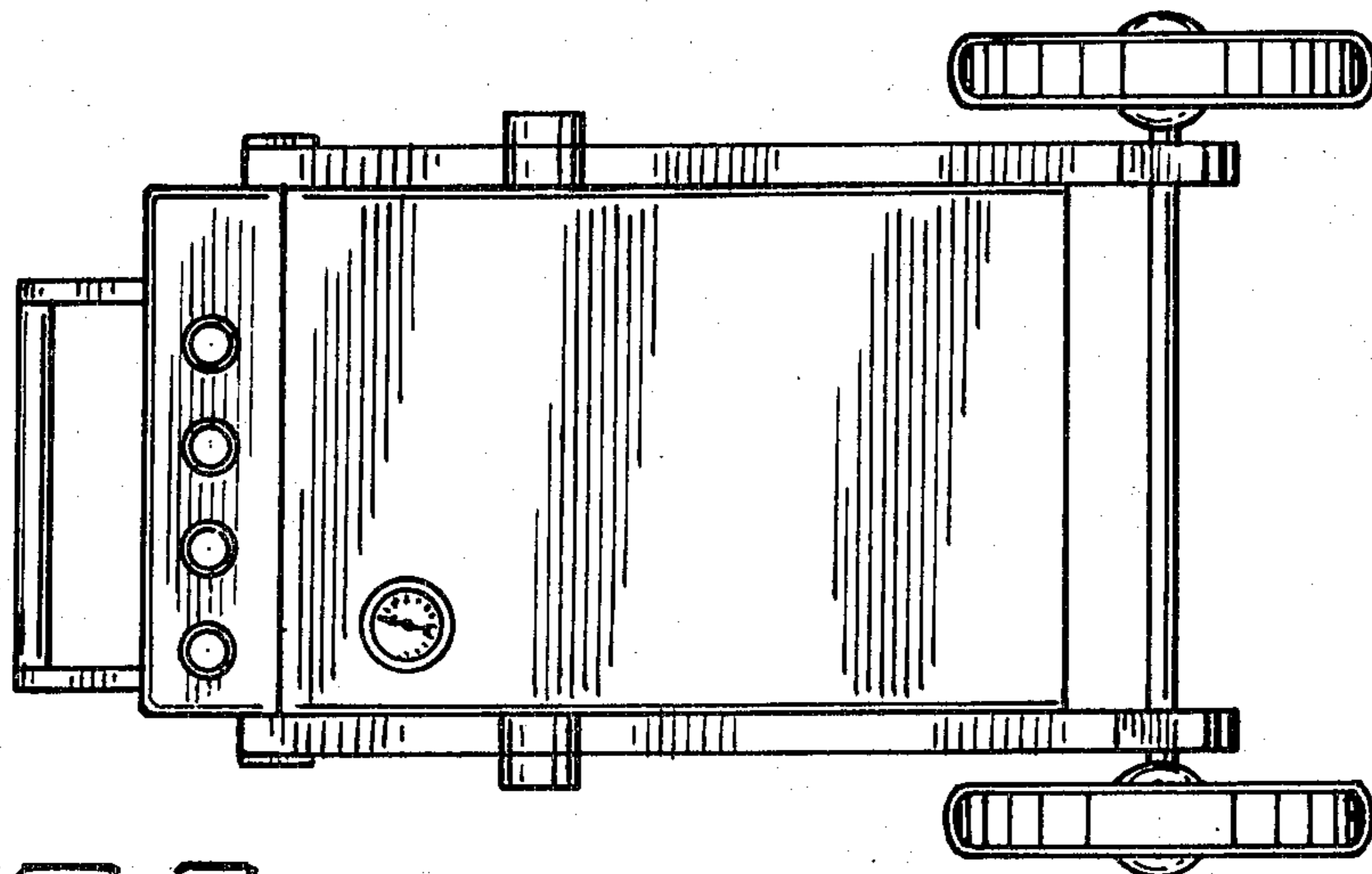
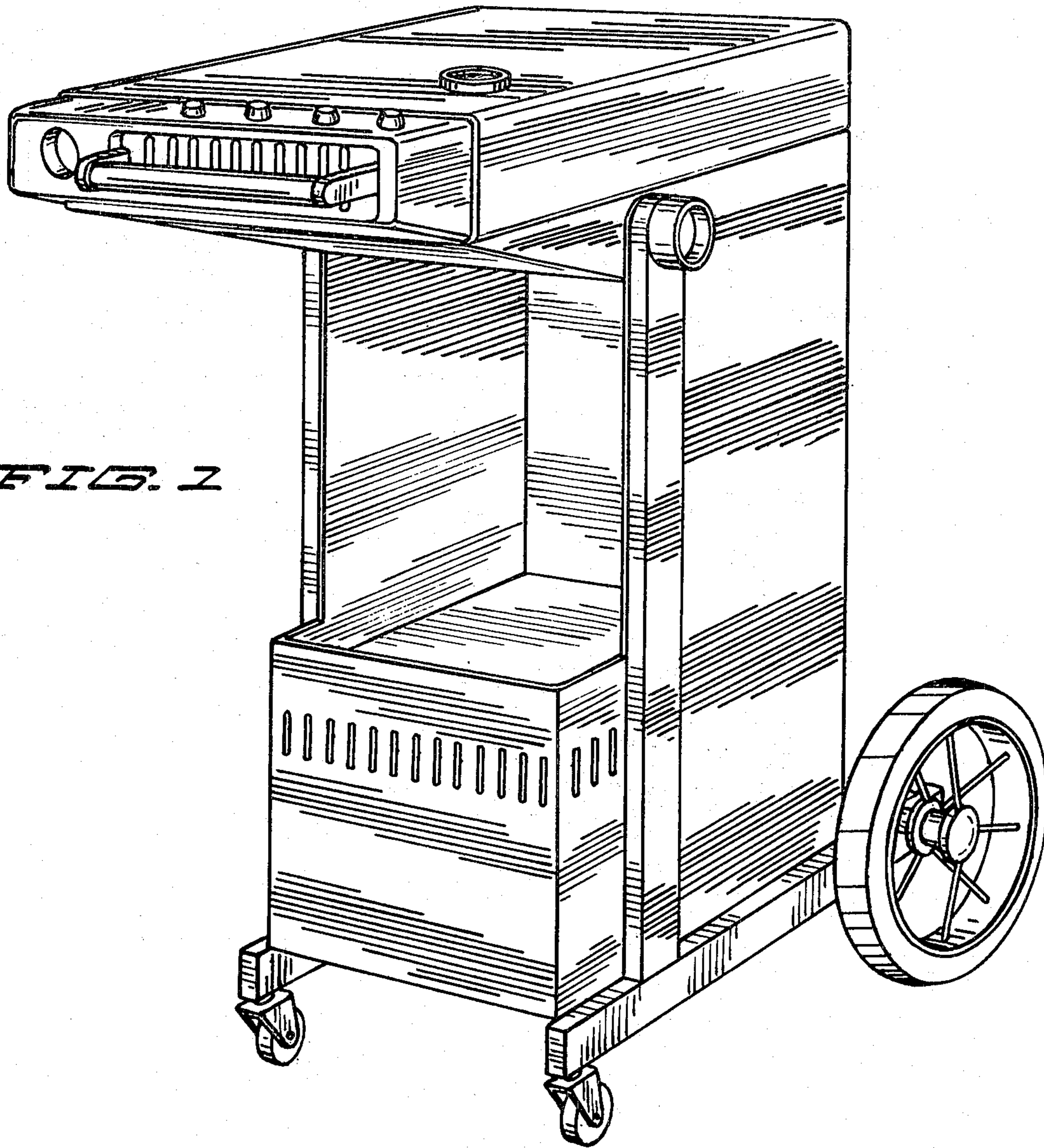
[57] CLAIM

The ornamental design for a welding machine, as shown and described.

DESCRIPTION

FIG. 1 is an enlarged perspective view of a welding machine showing my new design;
 FIG. 2 is a top plan view thereof, the bottom being unornamented;
 FIG. 3 is a front elevational view thereof;
 FIG. 4 is a side elevational view taken from the right of FIG. 1, the side opposite being a mirror image thereof;
 FIG. 5 is a rear elevational view thereof.





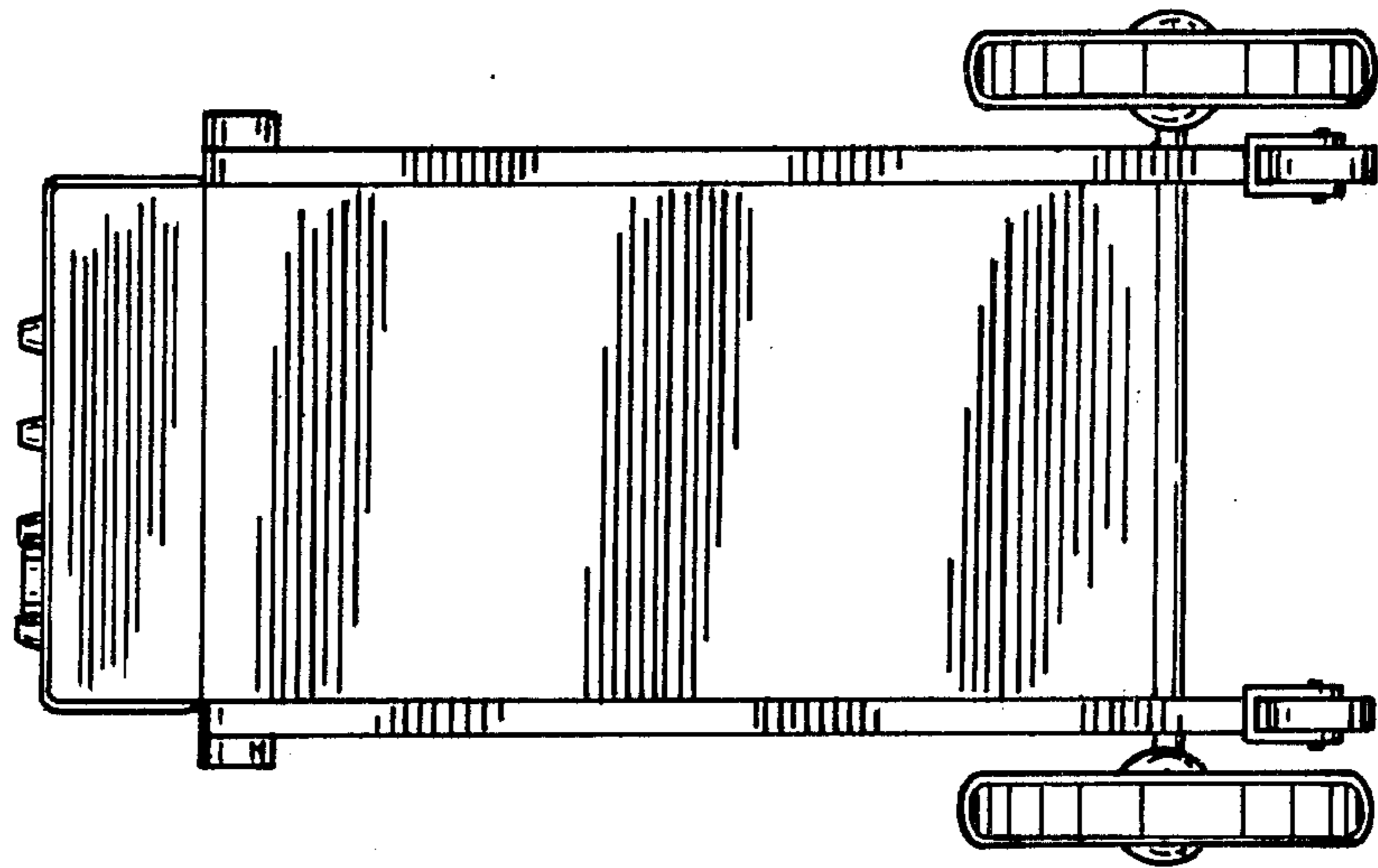


FIG. 5

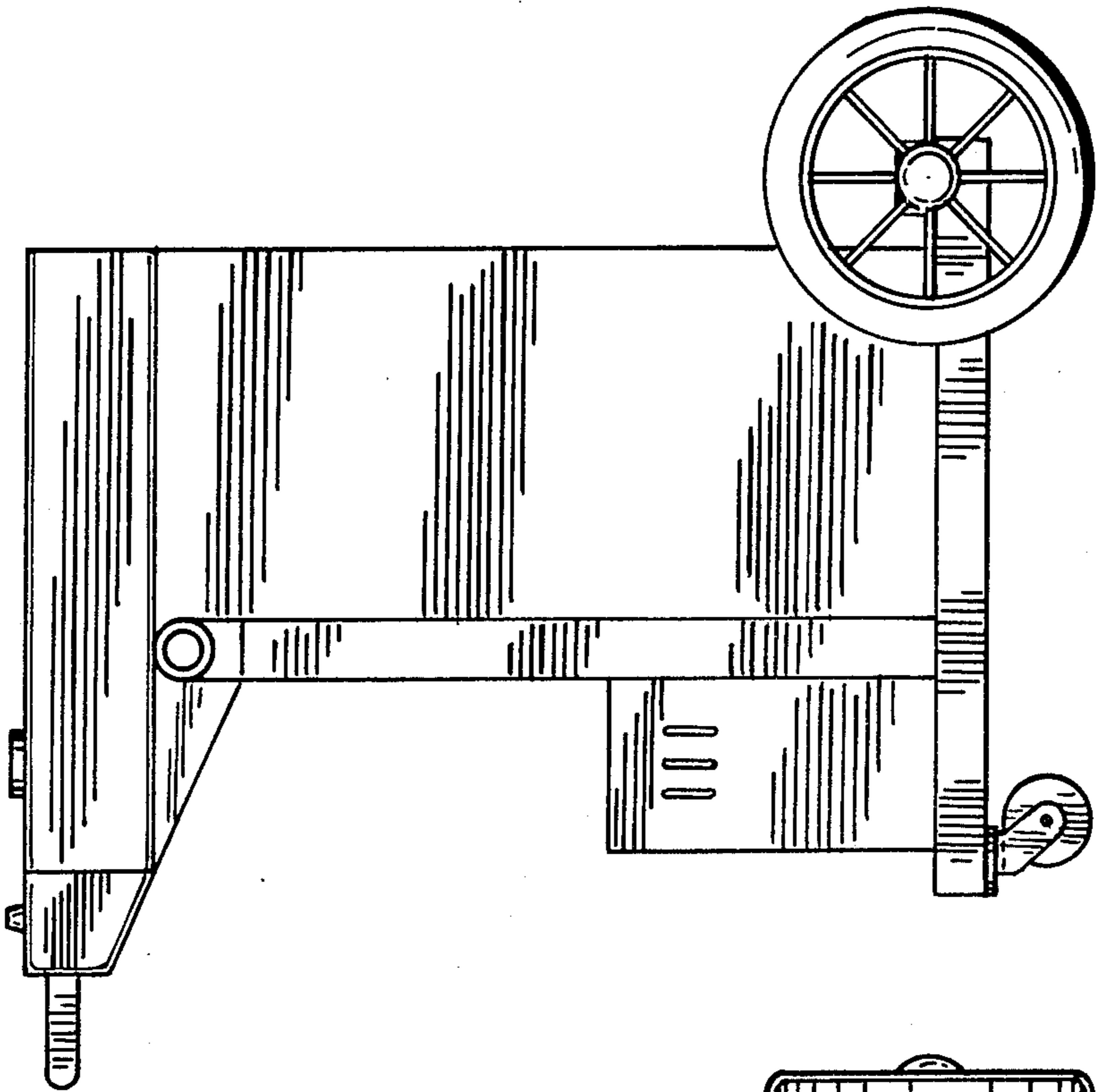


FIG. 6

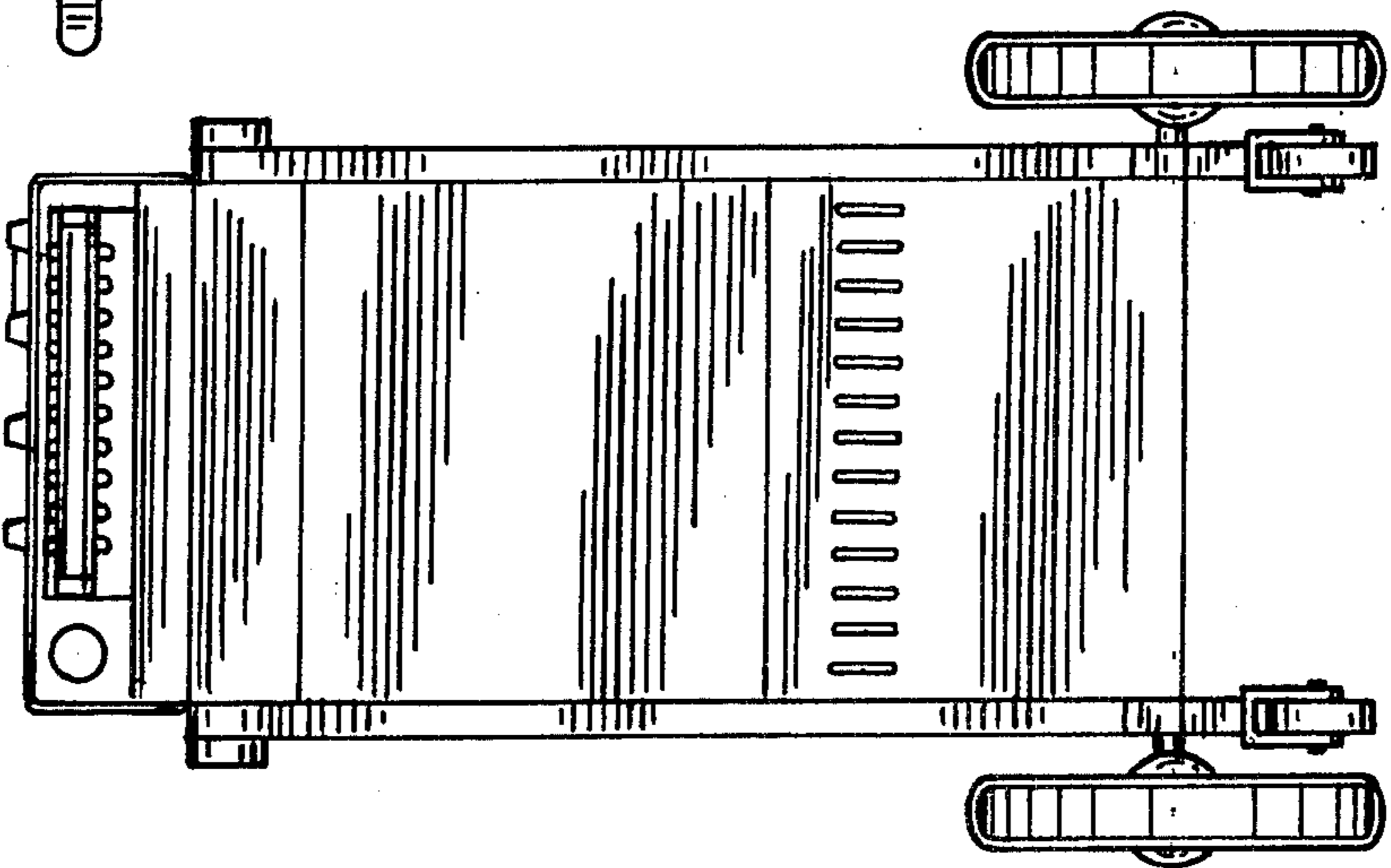


FIG. 7