

[54] PORTABLE AIR COMPRESSOR

- [75] Inventor: Jerald V. Dunlap, Pacific Palisades, Calif.
- [73] Assignee: M-D & Co., Mammoth Lakes, Calif.
- [**] Term: 14 Years
- [21] Appl. No.: 417,152
- [22] Filed: Sep. 13, 1982
- [52] U.S. Cl. D15/9
- [58] Field of Search D15/7, 9; 417/410, 411, 417/415, 234

[56] **References Cited**
U.S. PATENT DOCUMENTS

D. 149,207	4/1948	Peterson	D15/9
D. 149,545	5/1948	Gamble et al.	D15/9
D. 179,746	2/1957	Sudmeier	D15/9
D. 235,923	7/1975	Faul et al.	D15/9
2,550,540	4/1951	Ebsary	D15/9 X

OTHER PUBLICATIONS

Sears, Spring/Summer 1979, p. 688, Item #1-Model 28A1131.
 Item-P-Model #691291ND1584, Best Products, 1979, p. 187.

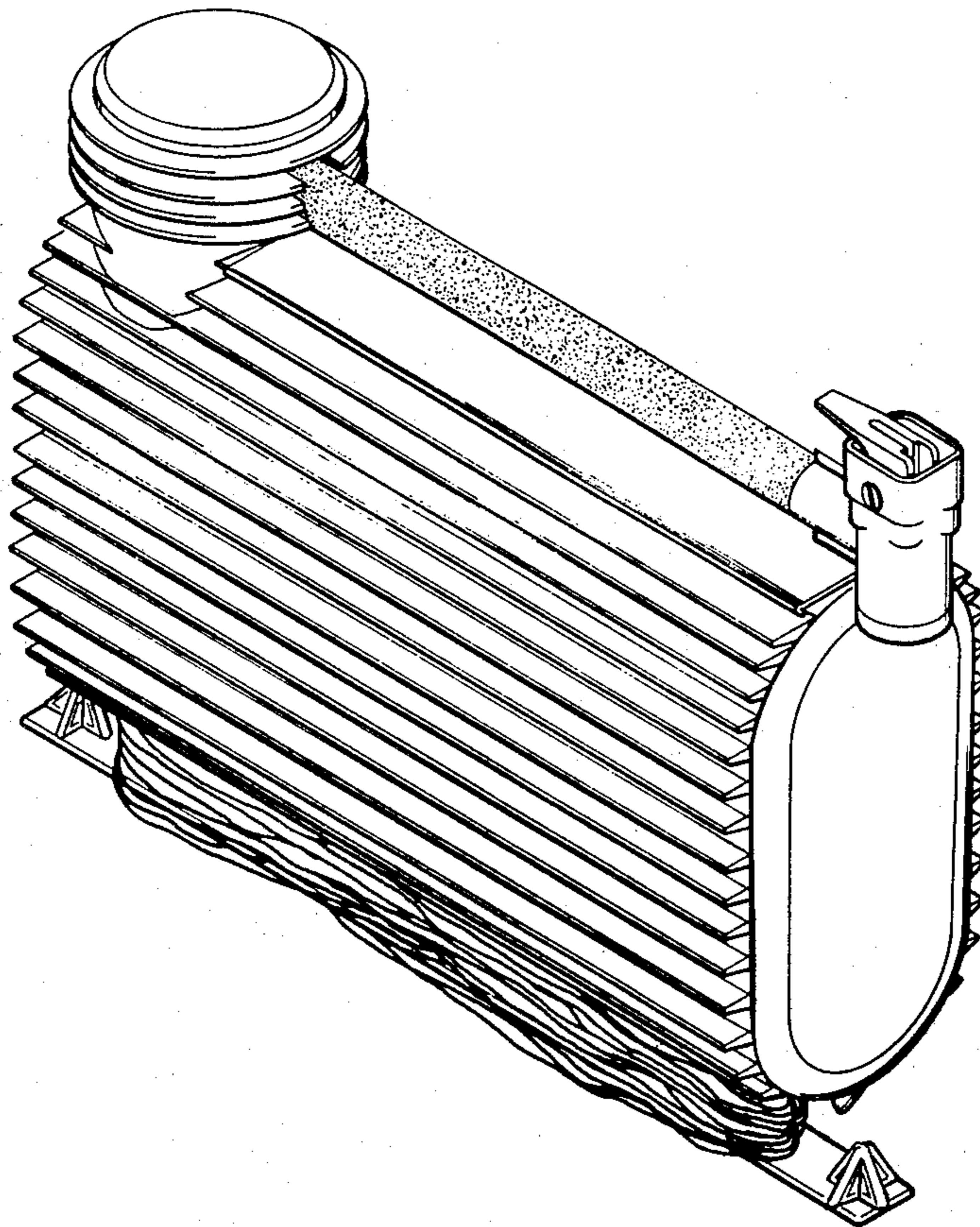
Primary Examiner—Wallace R. Burke
Assistant Examiner—Lynn Wilder
Attorney, Agent, or Firm—Fraser and Bogucki

[57] CLAIM

The ornamental design for a portable air compressor, substantially as shown and described.

DESCRIPTION

FIG. 1 is a perspective view on an enlarged scale of a portable air compressor showing my new design; FIG. 2 is a front elevational view thereof; FIG. 3 is a rear elevational view thereof; FIG. 4 is a right end elevational view thereof; FIG. 5 is a left end elevational view thereof; FIG. 6 is a top plan view thereof; and FIG. 7 is a bottom plan view thereof.



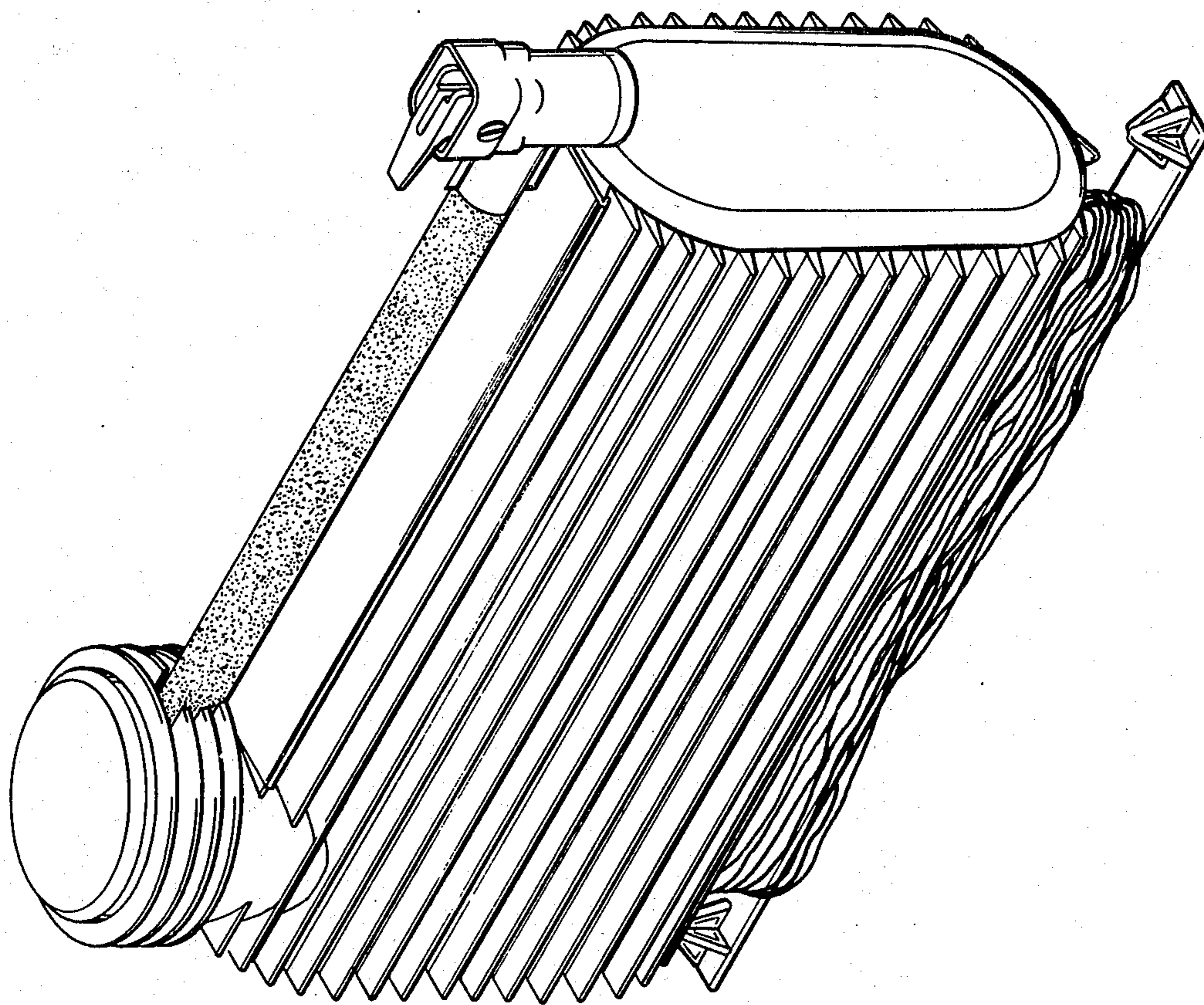


FIG. 1

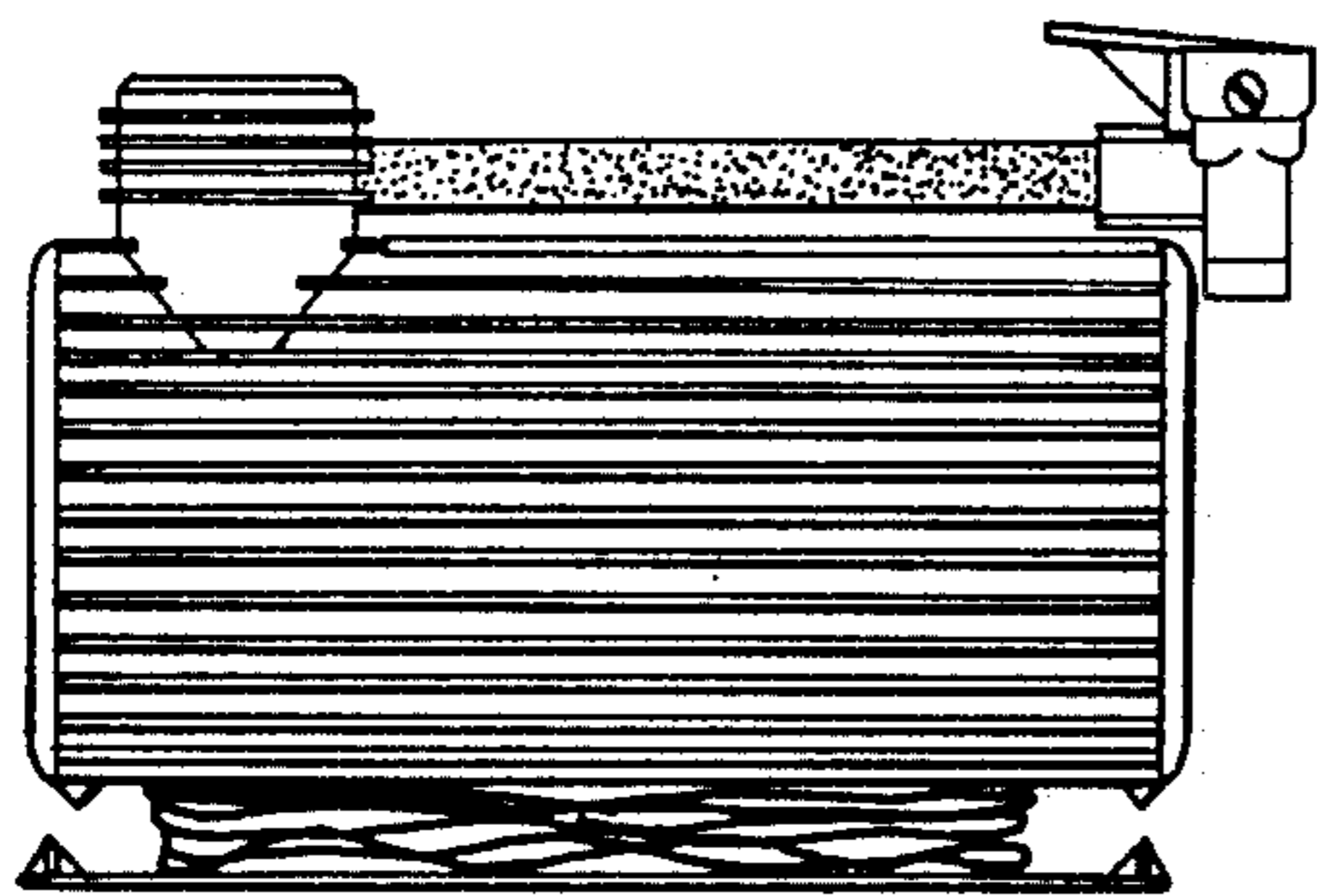


FIG. 2

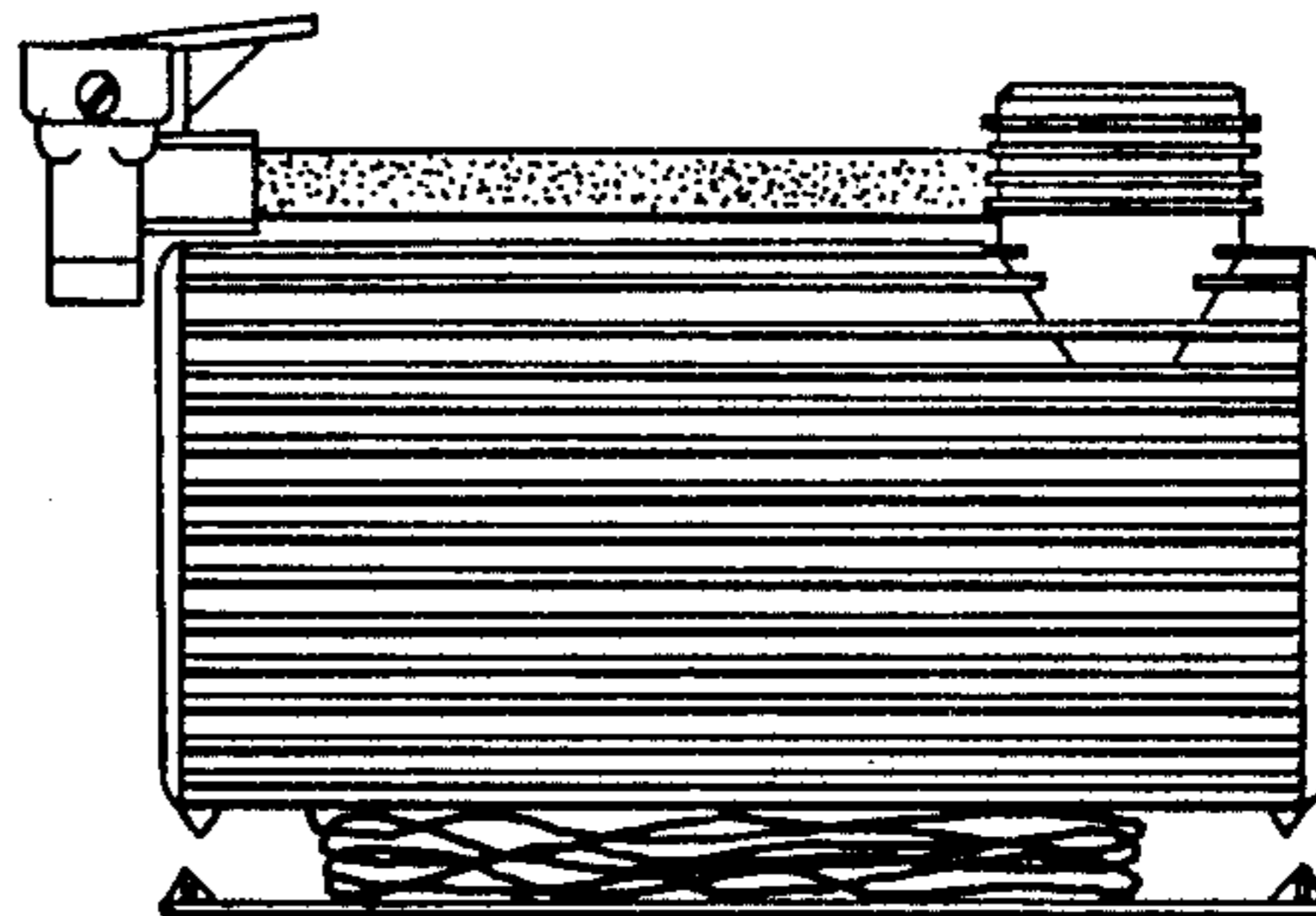


FIG. 3

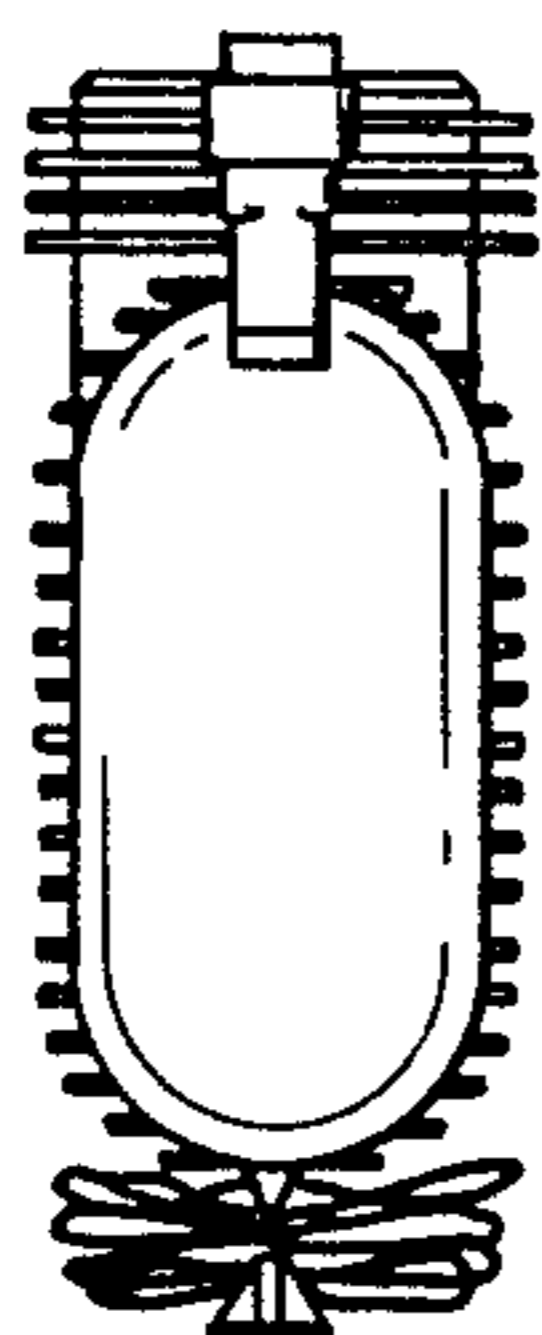


FIG. 4

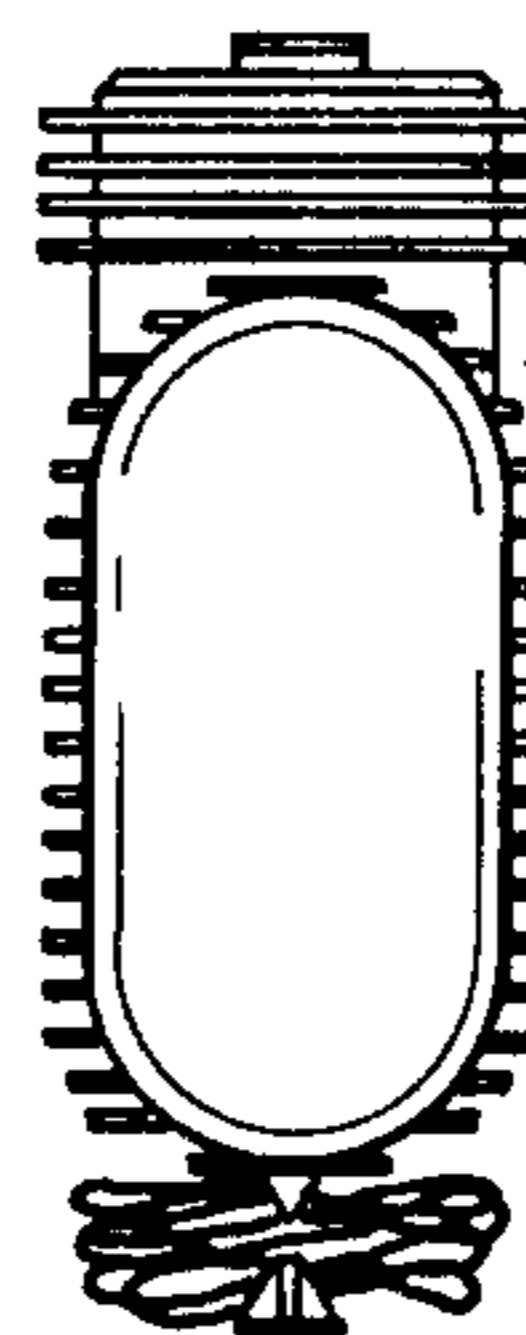


FIG. 5

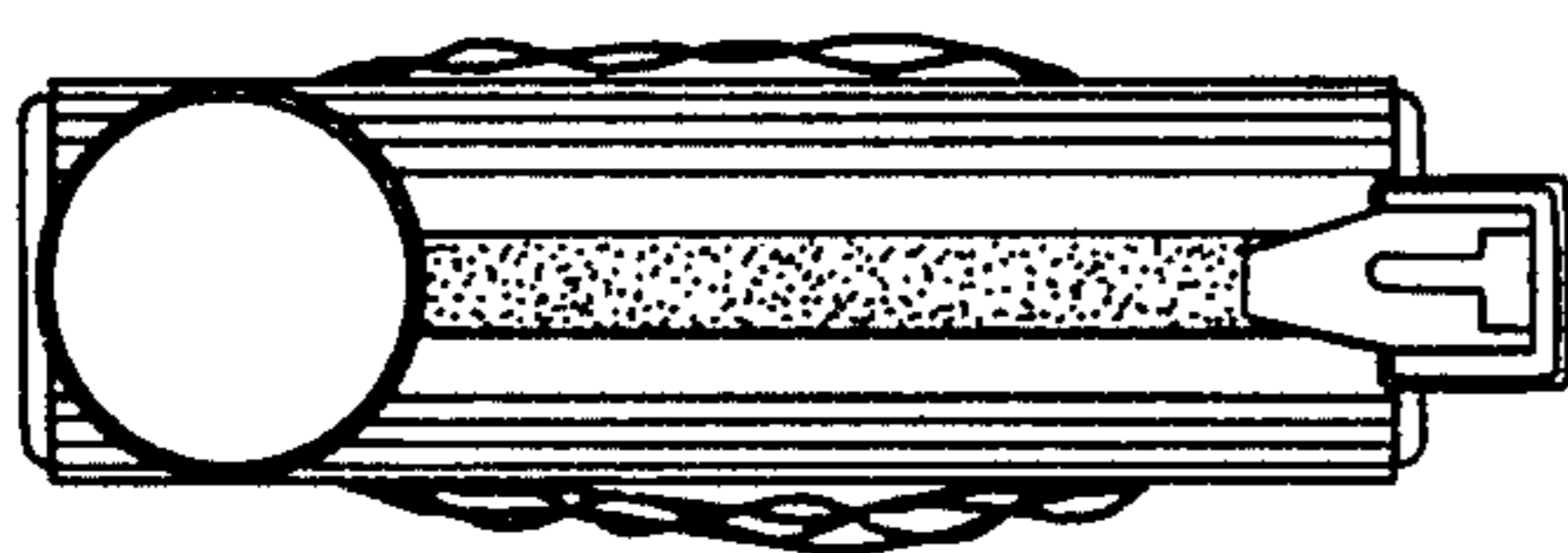


FIG. 6

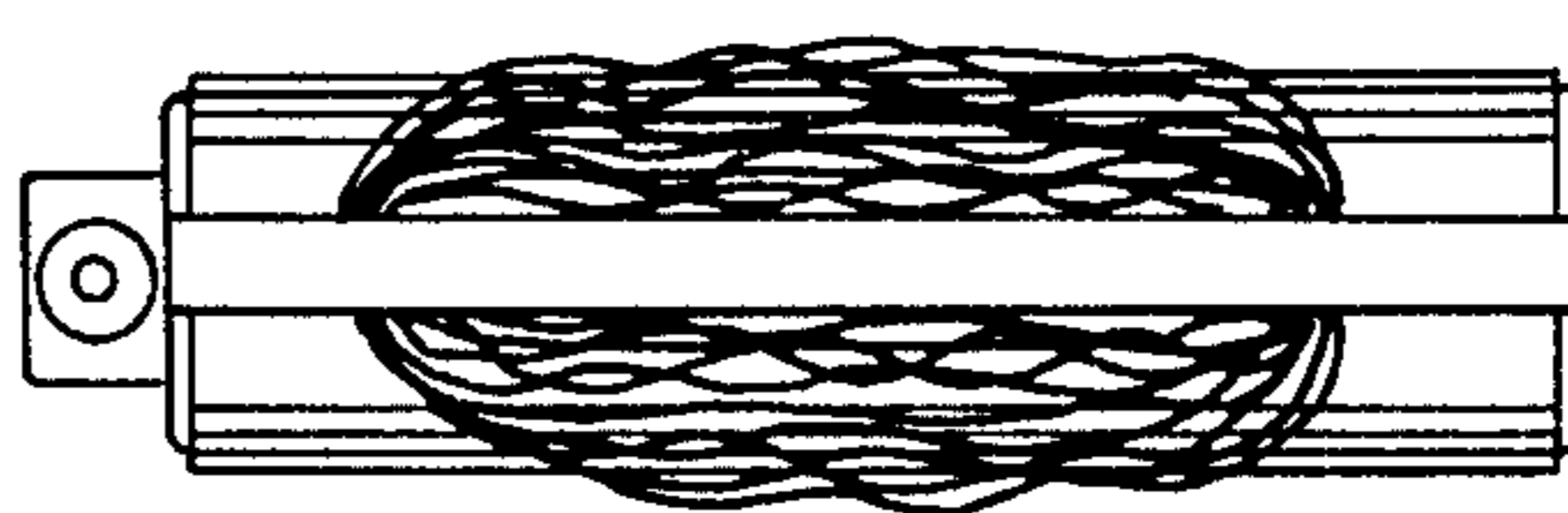


FIG. 7