

[54] ELEVATOR HOISTING ENGINE

[58] Field of Search D15/1; 187/20, 26; 254/362

[75] Inventors: Satoru Yokota; Yasutaka Hirano; Tamaiti Kondou, all of Inazawa, Japan

[56] References Cited

U.S. PATENT DOCUMENTS

[73] Assignee: Mitsubishi Denki Kabushiki Kaisha, Tokyo, Japan

D. 131,705	3/1942	Schreck	D15/1
D. 179,236	11/1956	Bernard	D15/1
D. 239,329	3/1976	Schramm	D15/1
3,223,385	12/1965	Murakami	254/362
3,261,591	7/1966	Campbell et al.	254/362
4,314,692	2/1982	Braver et al.	254/362

[**] Term: 14 Years

Primary Examiner—Wallace R. Burke
Assistant Examiner—Lynn Wilder
Attorney, Agent, or Firm—Wenderoth, Lind & Ponack

[21] Appl. No.: 532,990

[22] Filed: Sep. 16, 1983

Related U.S. Application Data

[62] Division of Ser. No. 285,877, Jul. 23, 1981.

[57] CLAIM

The ornamental design for an elevator hoisting engine, substantially as shown.

[30] Foreign Application Priority Data

Feb. 5, 1981	[JP]	Japan	56-4254
Feb. 5, 1981	[JP]	Japan	56-4256
Feb. 5, 1981	[JP]	Japan	56-4257
May 18, 1981	[JP]	Japan	56-21312
May 18, 1981	[JP]	Japan	56-21313
May 18, 1981	[JP]	Japan	56-21314
May 18, 1981	[JP]	Japan	56-21315

DESCRIPTION

FIG. 1 is a front elevational view of an elevator hoisting engine, showing our new design;
FIG. 2 is a rear elevational view thereof;
FIG. 3 is a top plan view thereof;
FIG. 4 is a bottom plan view thereof;
FIG. 5 is a left side elevational view thereof; and
FIG. 6 is a right side elevational view thereof.

[52] U.S. Cl. D15/1

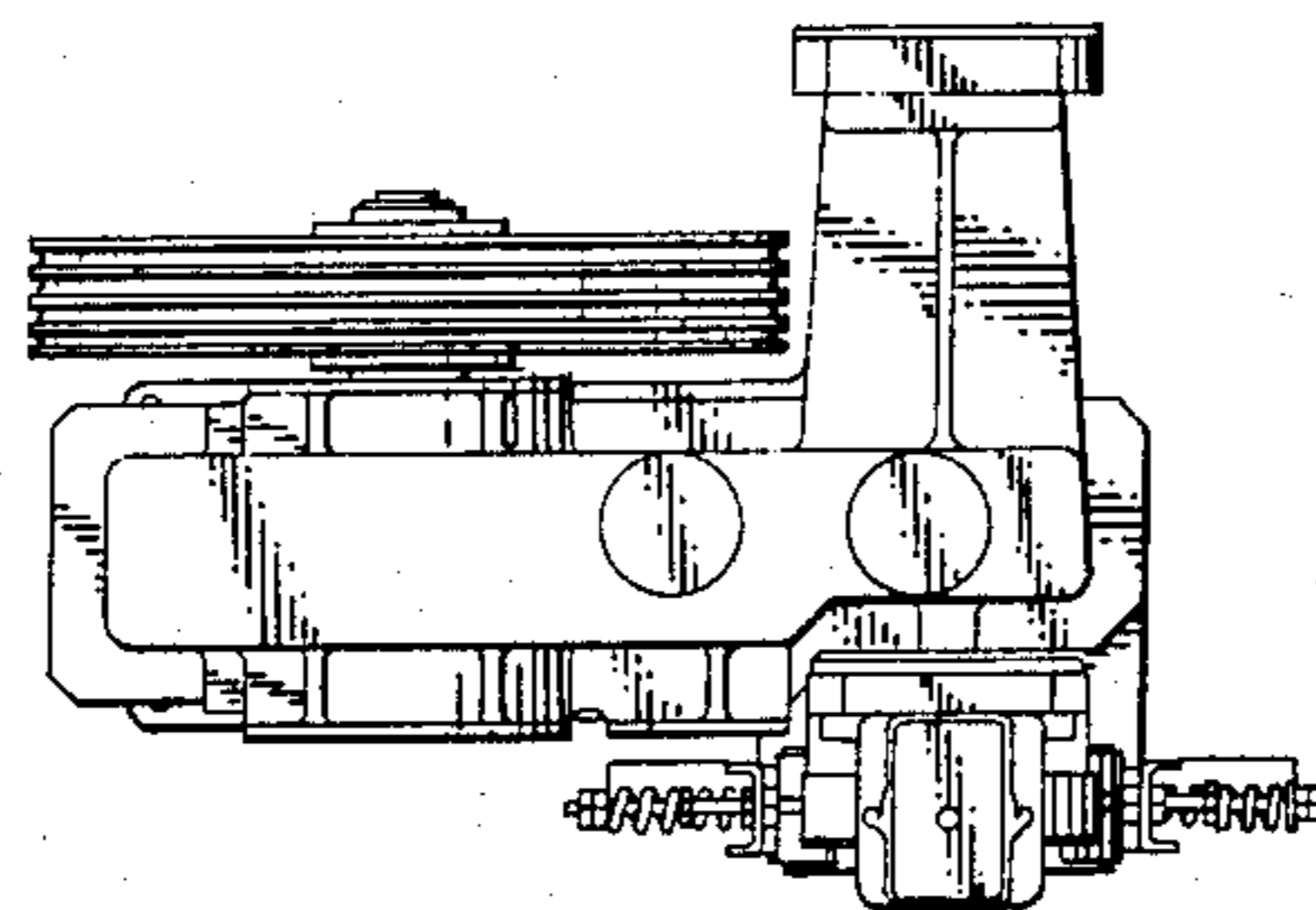
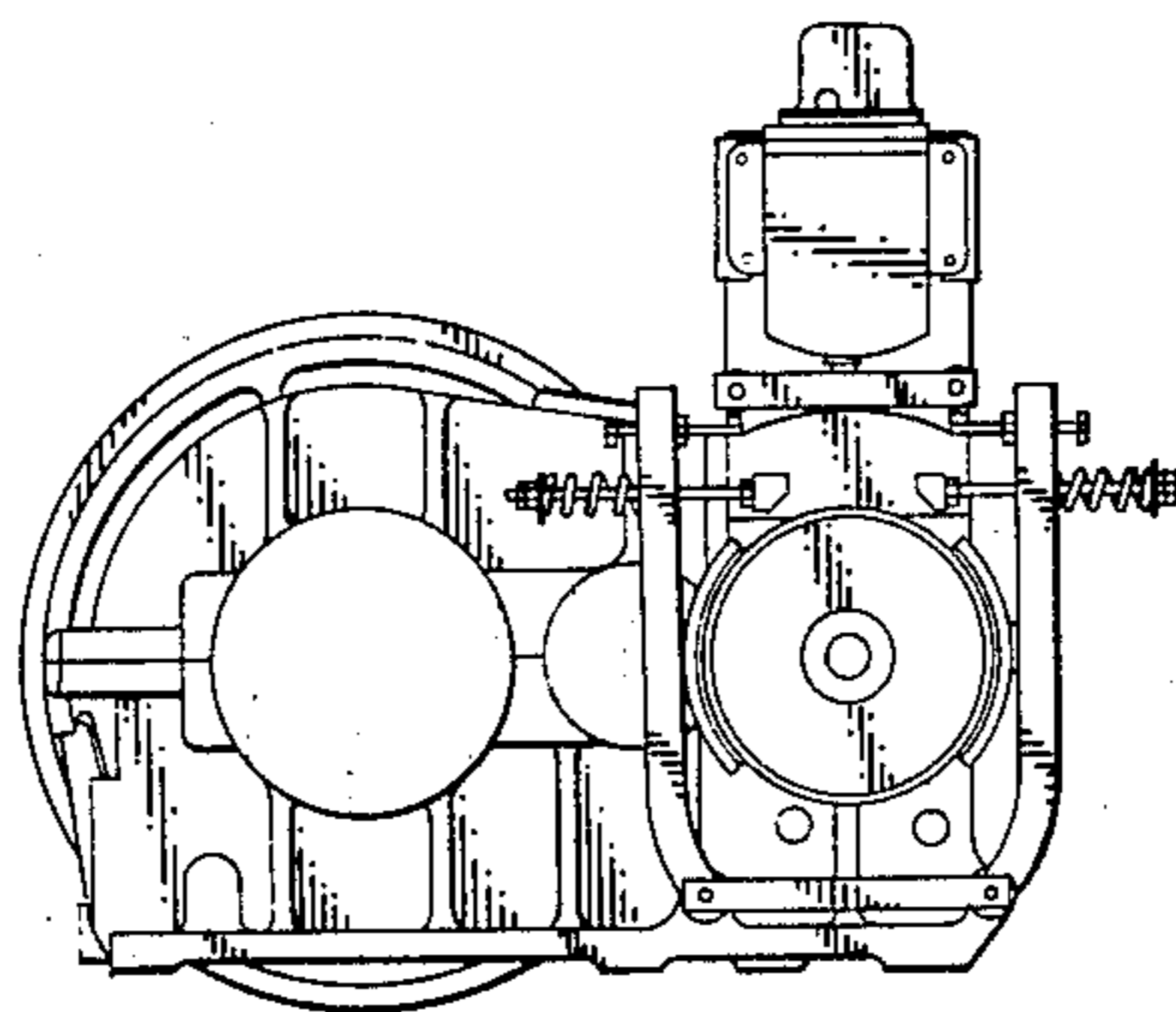


FIG. 1

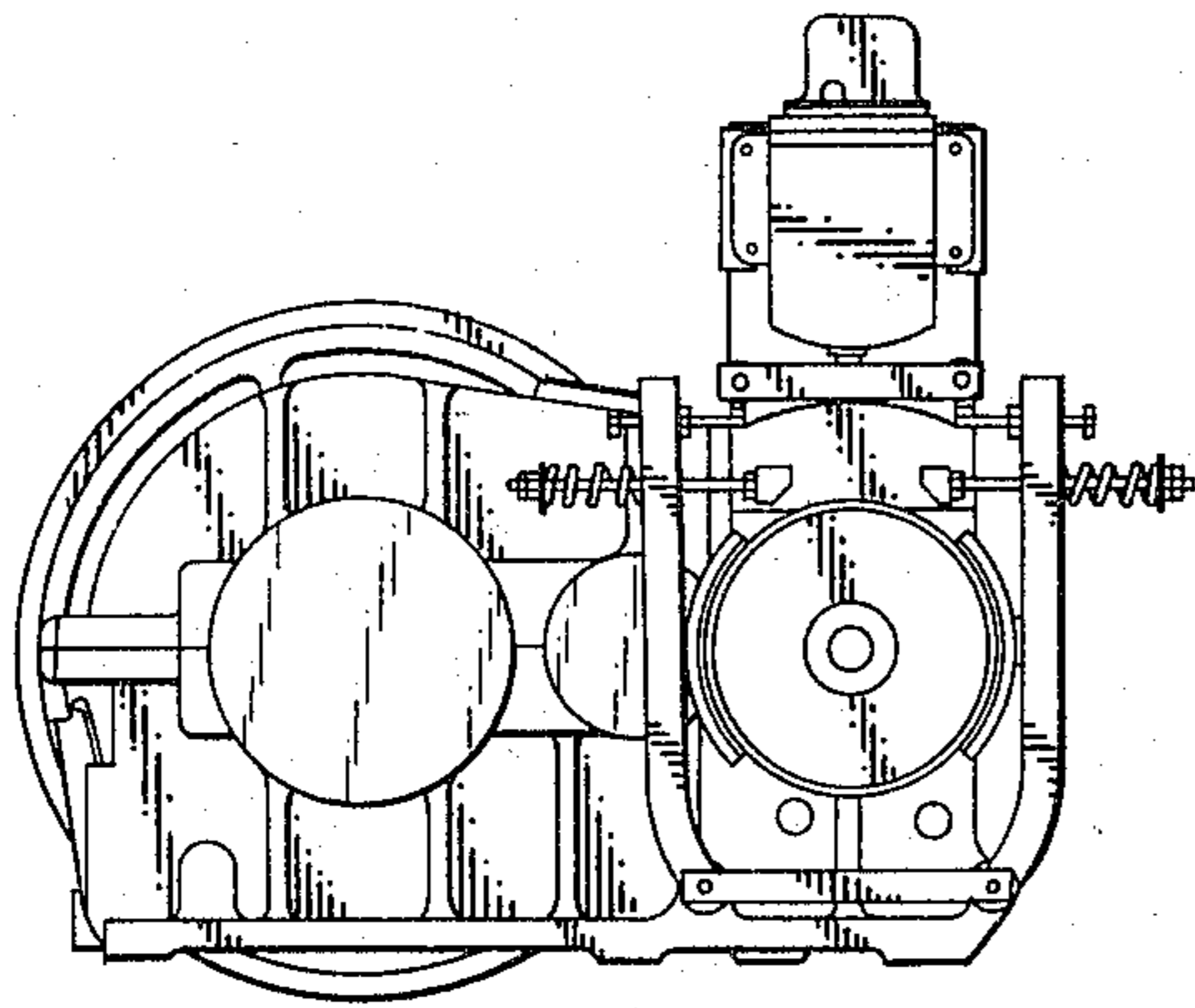


FIG. 2

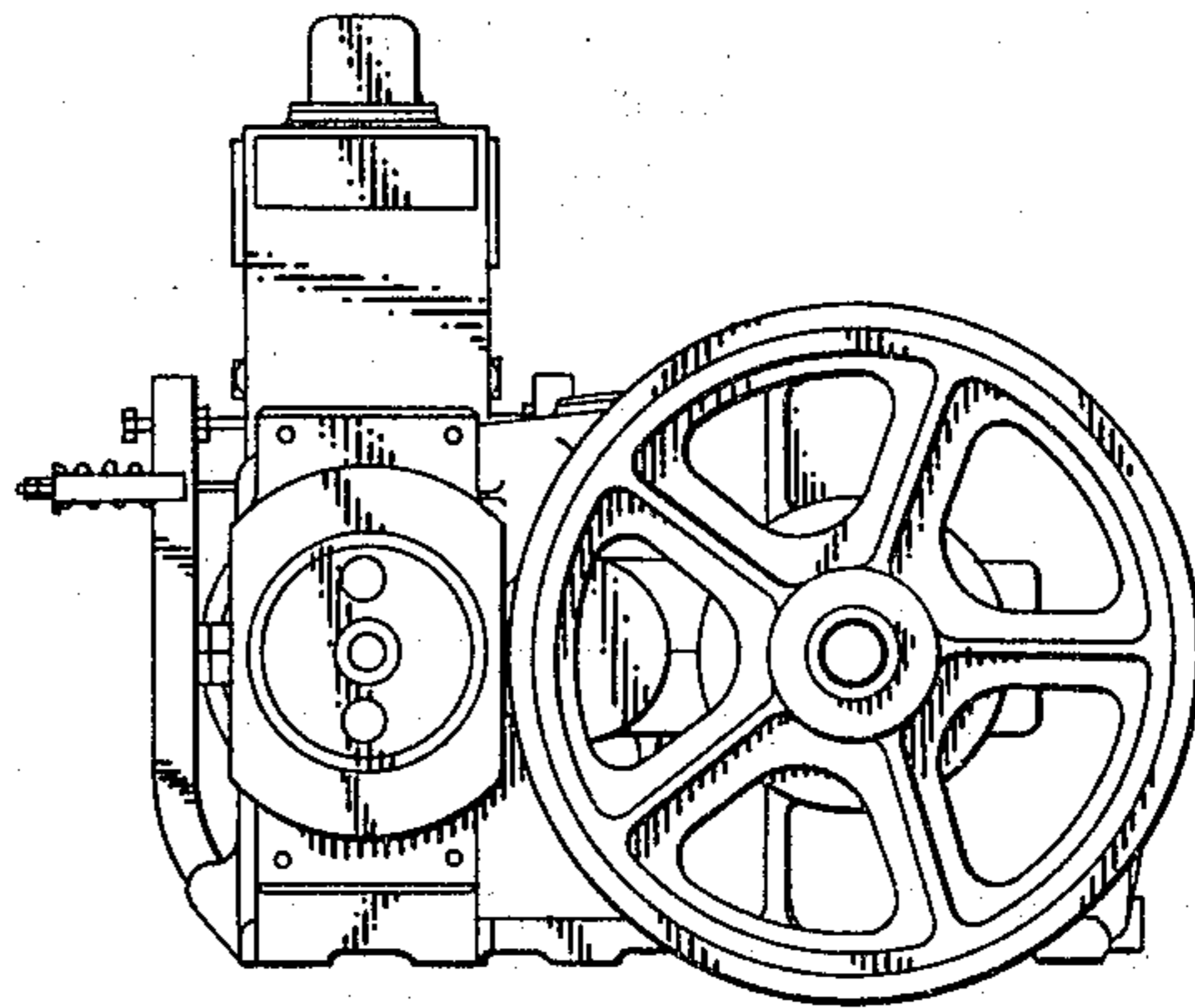


FIG. 3

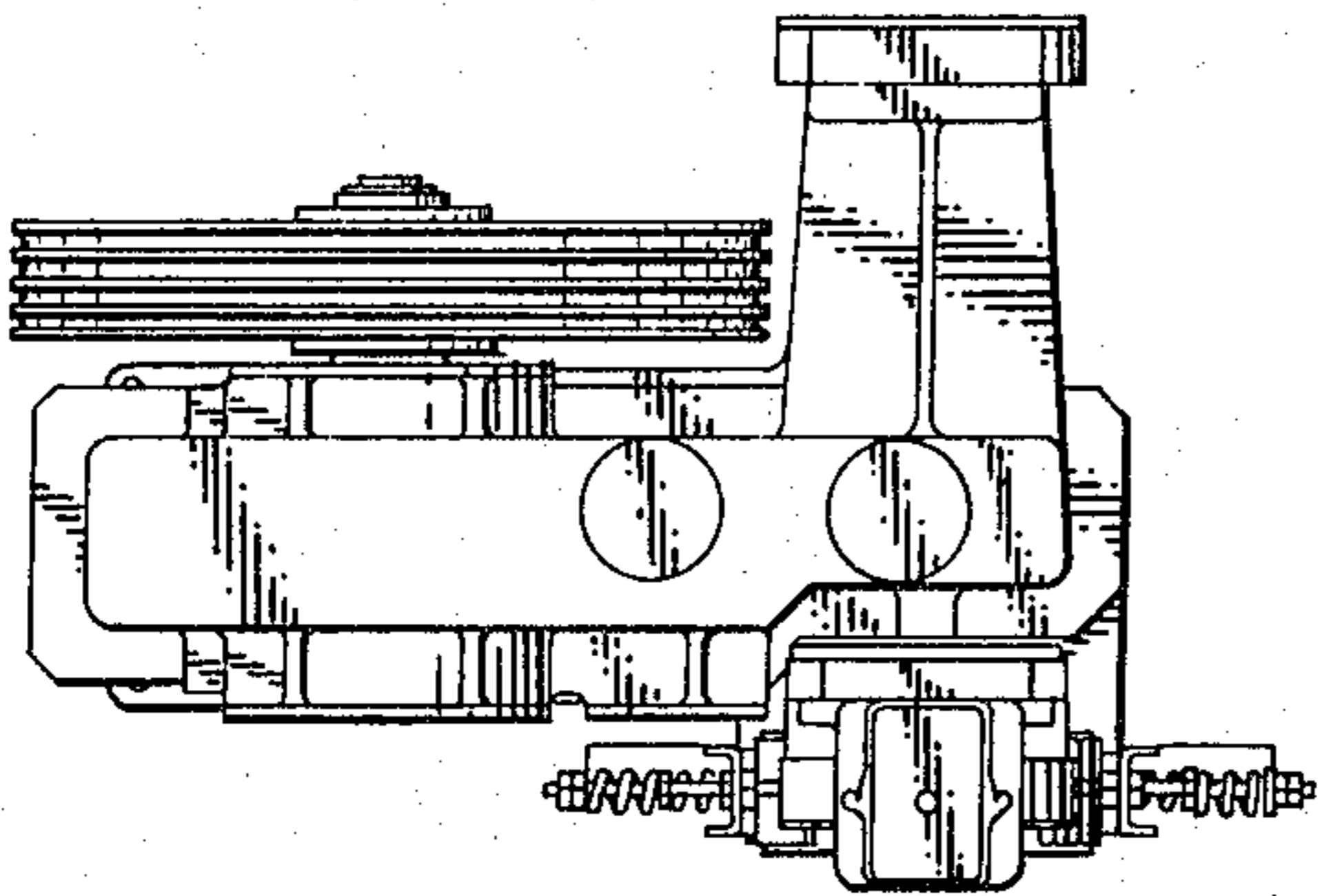


FIG. 4

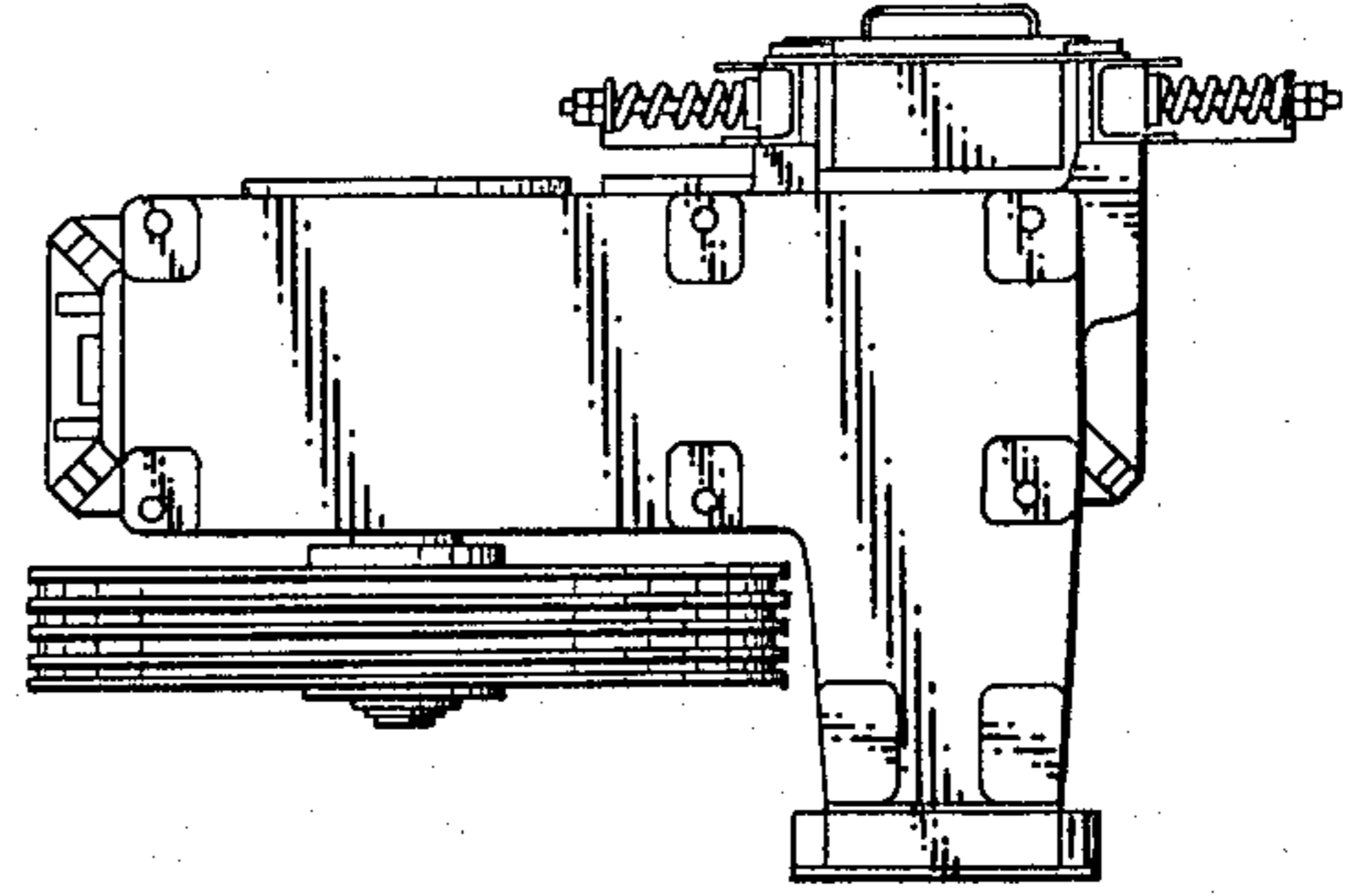


FIG. 5

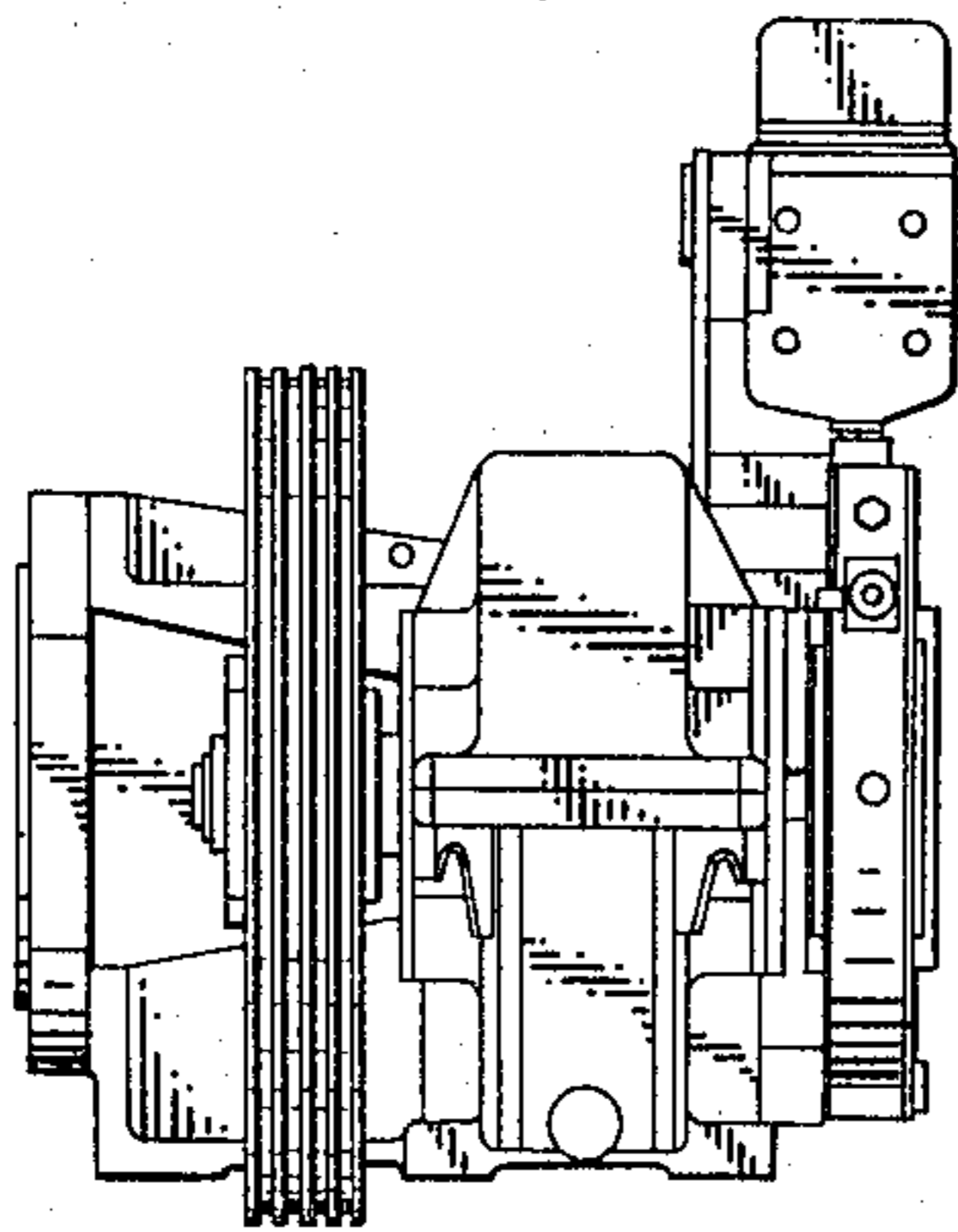


FIG. 6

