

[54] TELEPHONE

[76] Inventor: Steve D. Adams, Jr., 473 79th St. South, St. Petersburg, Fla. 33707

[\*\*] Term: 14 Years

[21] Appl. No.: 343,963

[22] Filed: Jan. 29, 1982

[52] U.S. Cl. .... D14/53; D21/111

[58] Field of Search ..... D14/53, 58, 60, 63, D14/64, 69; 179/100 D, 100 R, 100 C, 178, 179, 103, 90 K, 90 FW; D21/111

[56] References Cited

U.S. PATENT DOCUMENTS

D. 133,539	8/1942	Dow	.....	D14/69
D. 224,542	8/1972	Todeschini	.....	D14/53
D. 247,898	5/1978	Plomp et al.	.....	D14/58
D. 260,260	8/1981	Thomas	.....	D14/53
4,087,650	5/1978	Tucker	.....	179/100 D

OTHER PUBLICATIONS

Golf Digest, Nov. 1964, p. 77, golf ball radio.

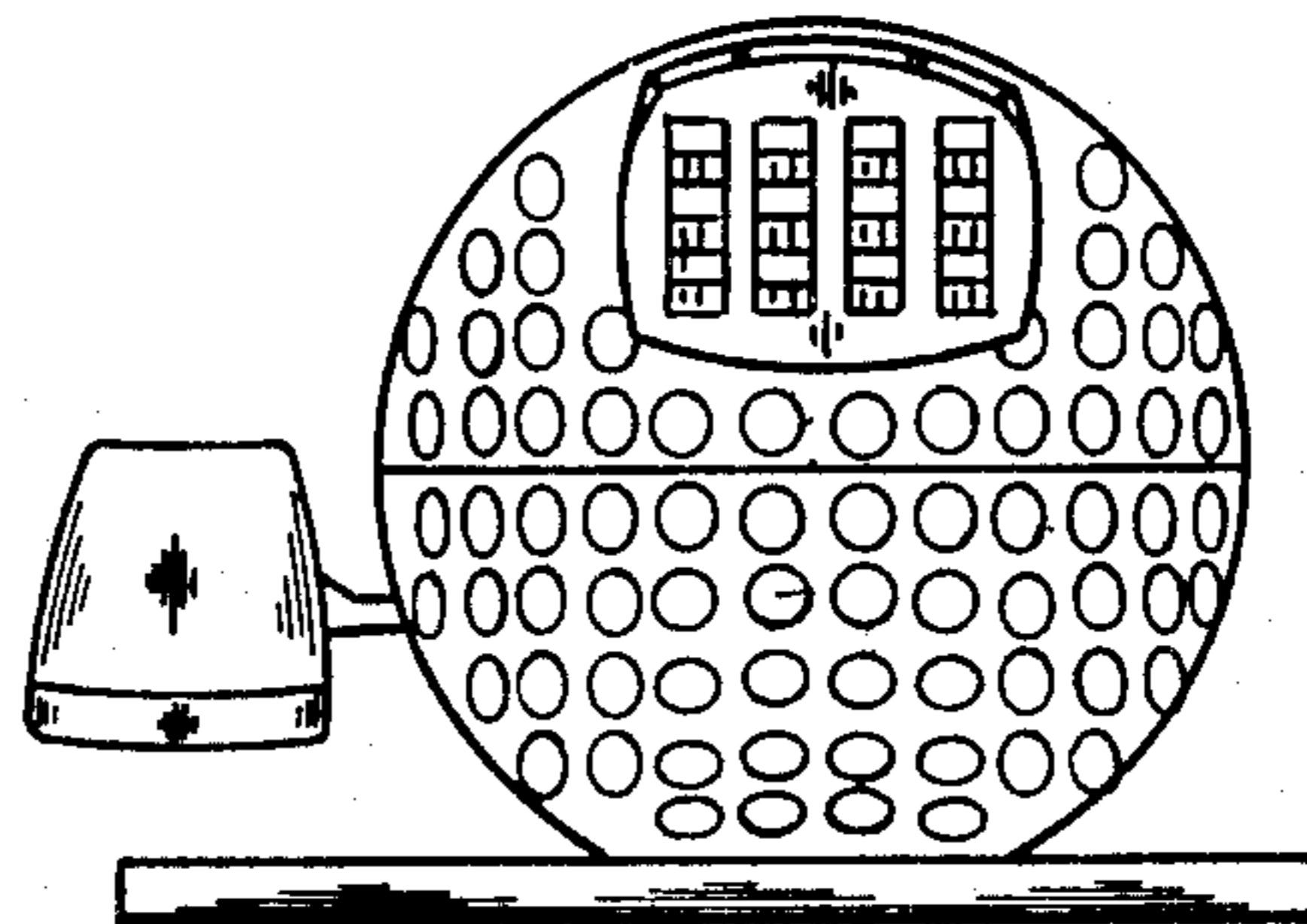
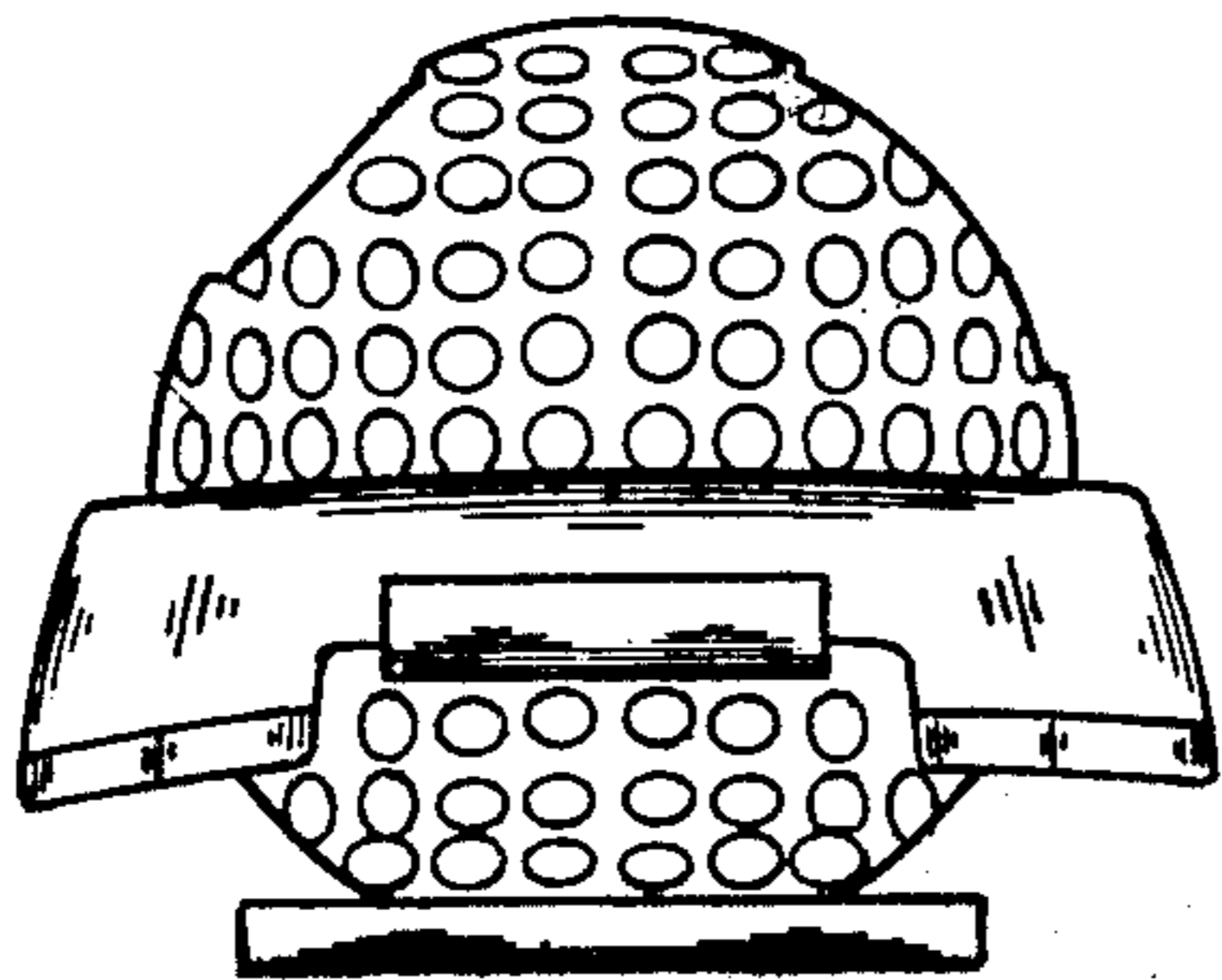
Primary Examiner—Bernard Ansher  
Attorney, Agent, or Firm—Frijouf, Rust & Pyle

[57] CLAIM

The ornamental design for a telephone, as shown and described.

DESCRIPTION

FIG. 1 is a front elevation of a telephone showing my new design;  
FIG. 2 is a left end elevation thereof;  
FIG. 3 is a right end elevation thereof;  
FIG. 4 is a rear elevation thereof;  
FIG. 5 is a top plan view thereof;  
FIG. 6 is a front elevation of a modified embodiment of the telephone illustrated in FIG. 1; and  
FIG. 7 is a top plan view thereof.



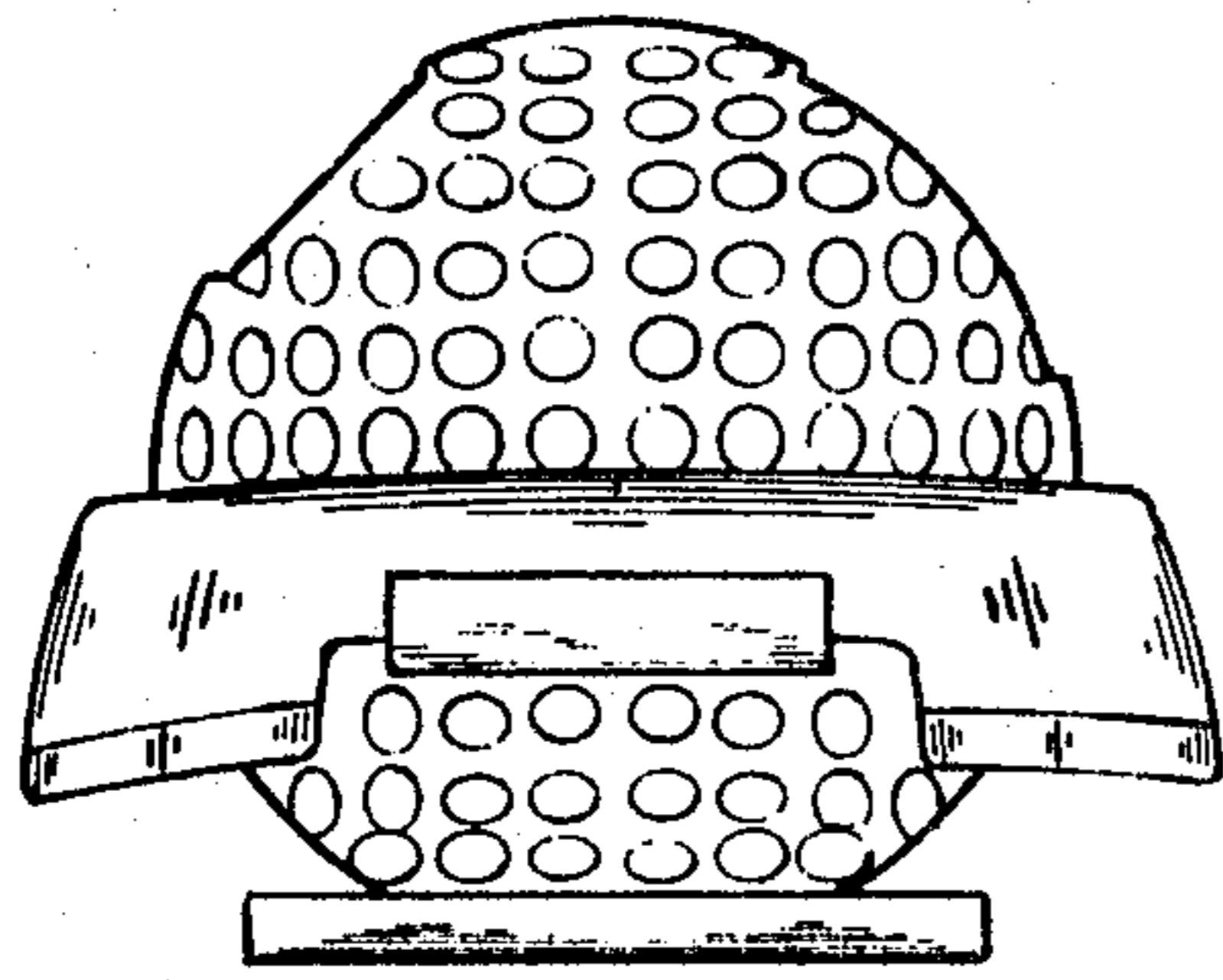


FIG. 2

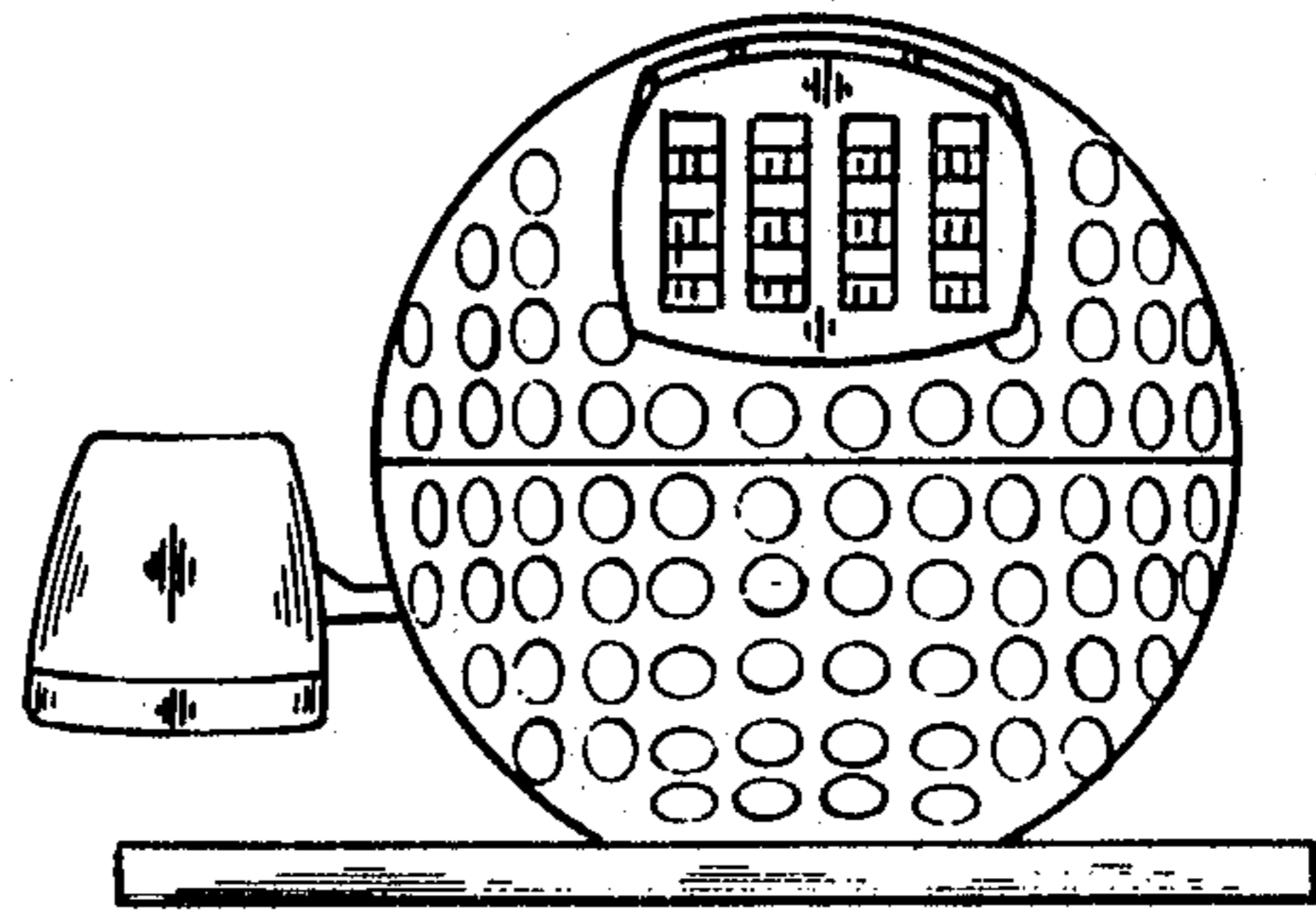


FIG. 1

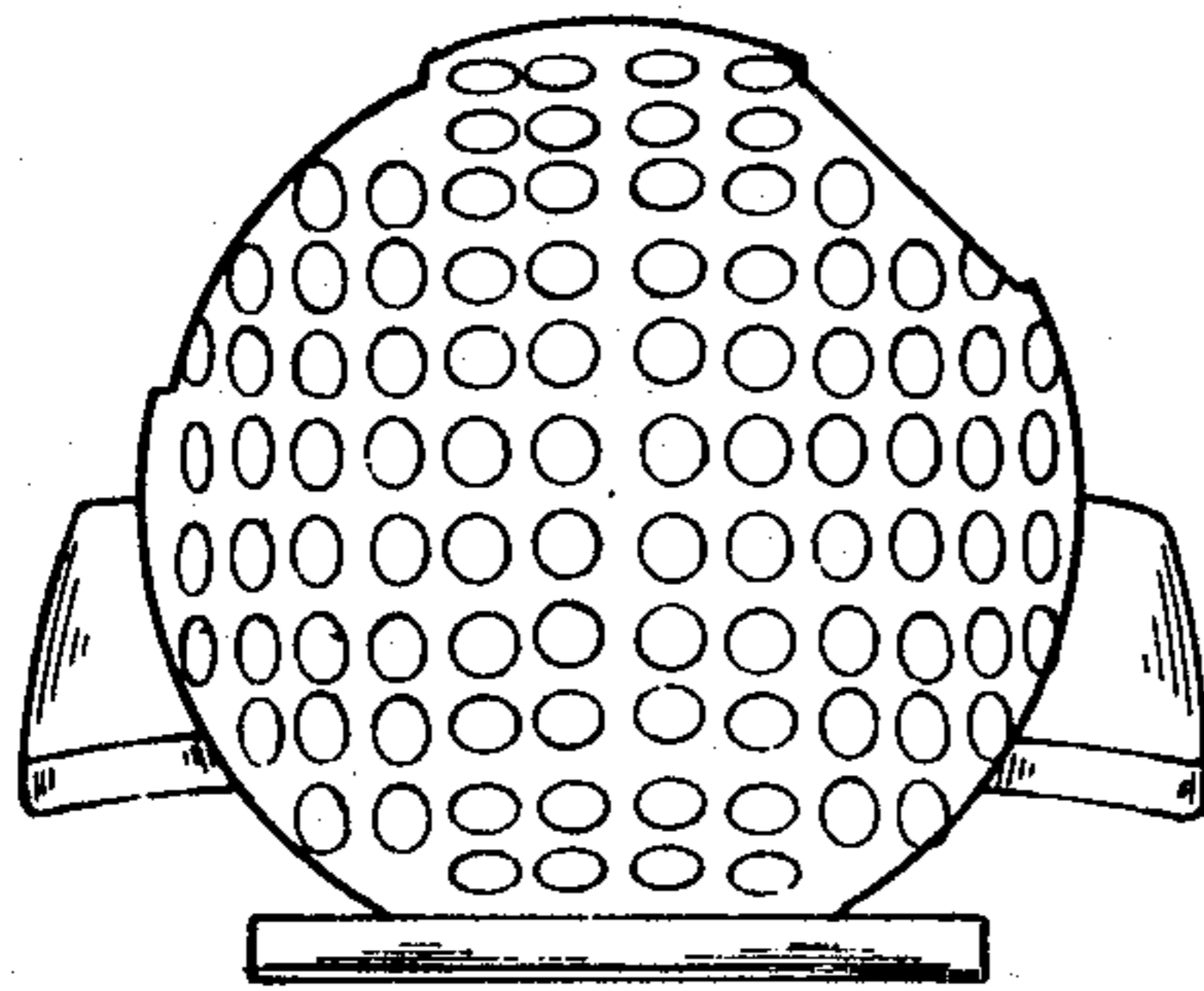


FIG. 3

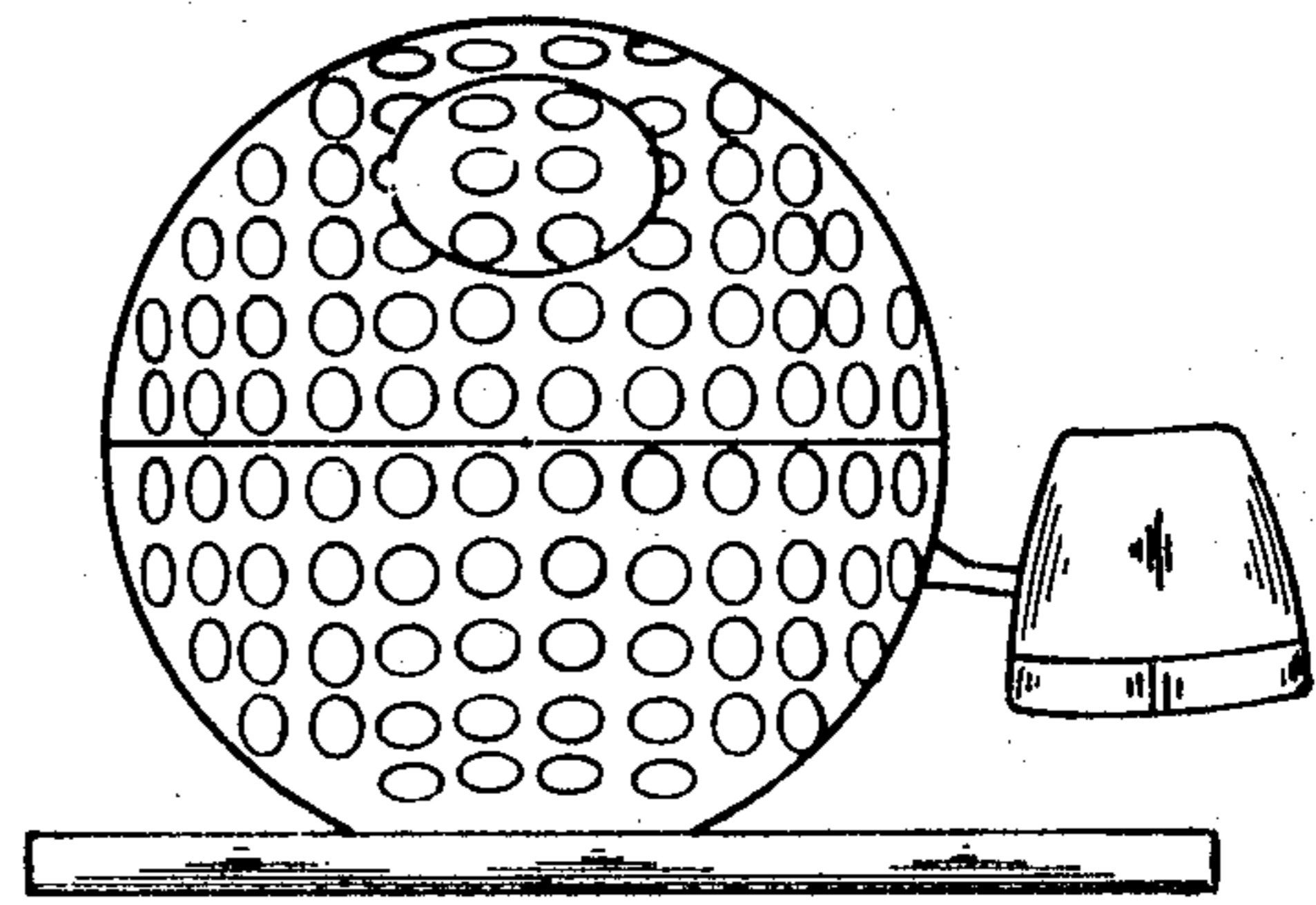


FIG. 4

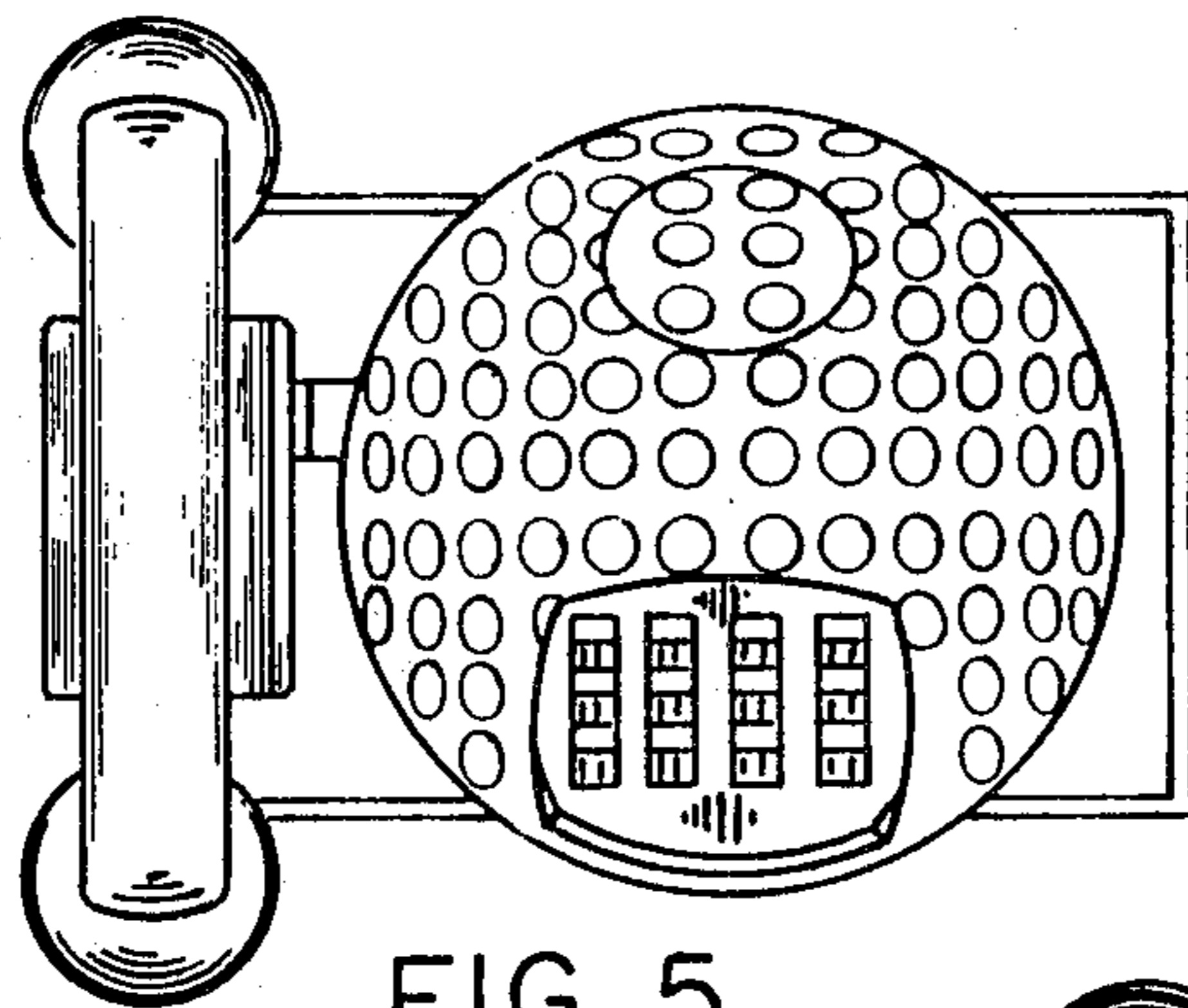


FIG. 5

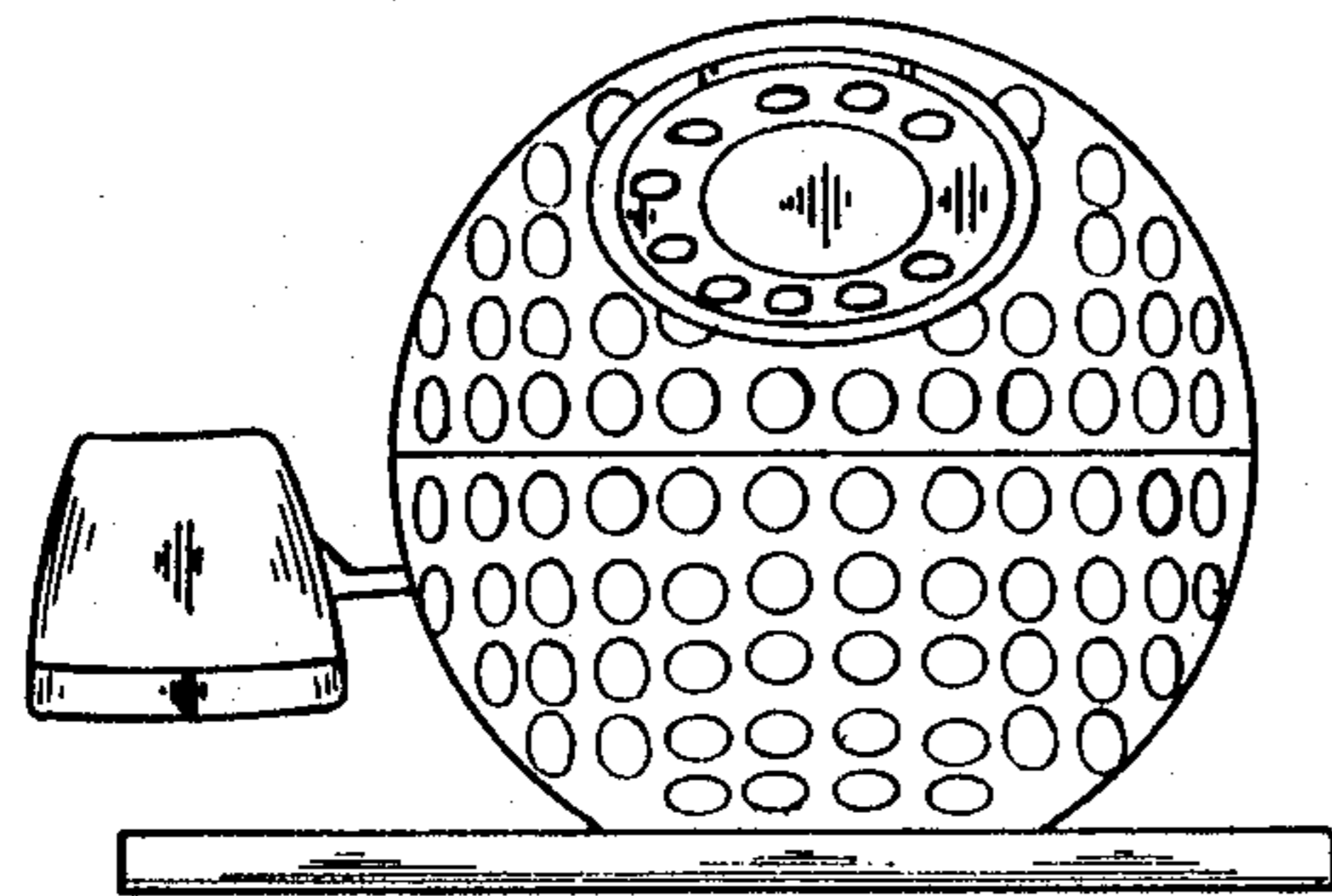


FIG. 6

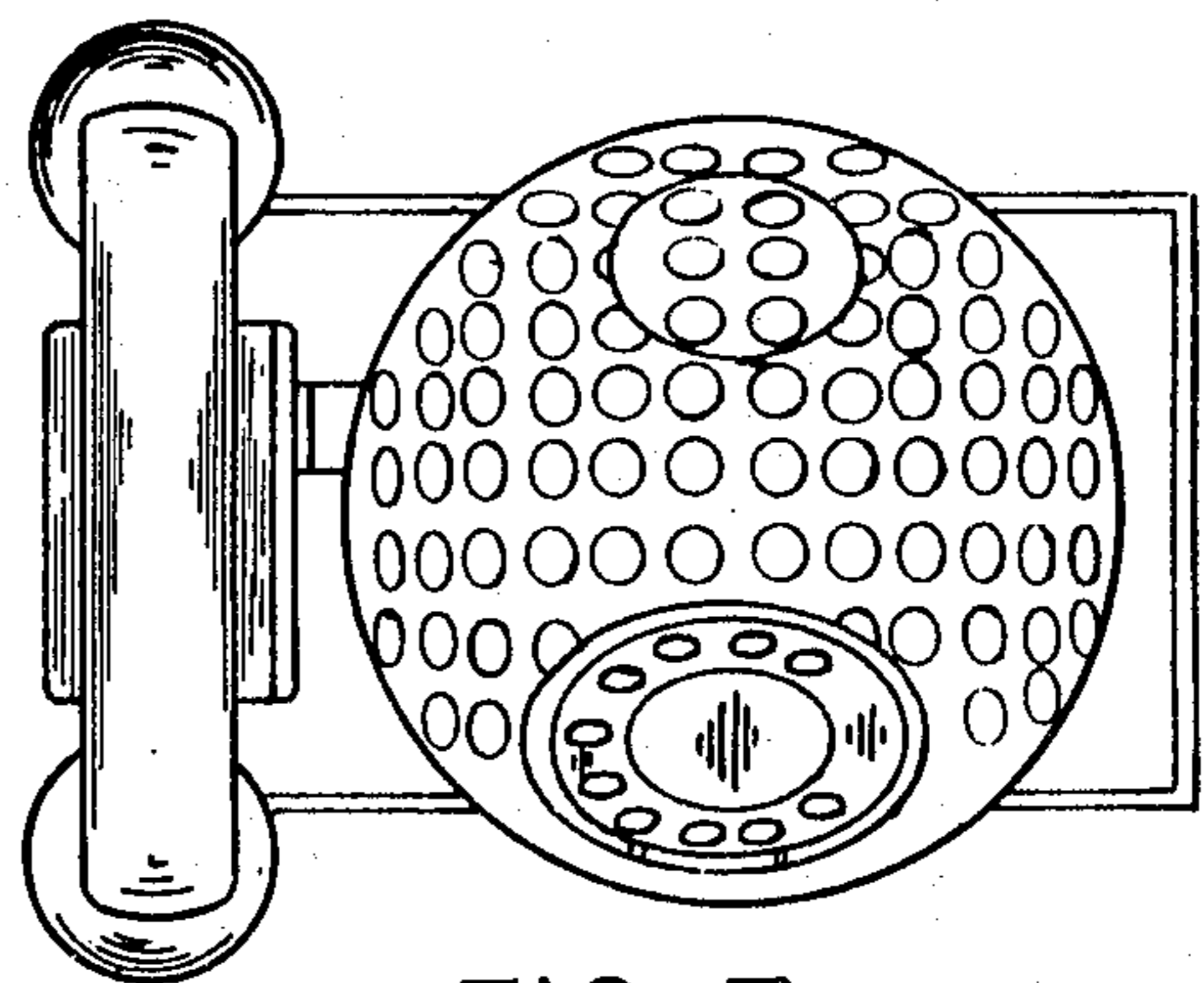


FIG. 7