

[54] PH METER, OR THE LIKE

[75] Inventors: James O. Molloy; Peter E. Sydenham, both of London, England

[73] Assignee: Fisons Limited, Ipswich, England

[**] Term: 14 Years

[21] Appl. No.: 335,267

[22] Filed: Dec. 28, 1981

[30] Foreign Application Priority Data

Jul. 10, 1981 [GB] United Kingdom 4001415

[52] U.S. Cl. D10/81

[58] Field of Search D10/46, 81, 57, 75, D10/78, 102, 103; 204/1 T, 400; 324/156, 438; D24/8, 17

[56] References Cited

U.S. PATENT DOCUMENTS

- D. 181,743 12/1957 Molloy D10/81
- D. 203,984 3/1966 Roth D10/81
- D. 206,264 11/1966 Waligorski D10/102 X
- D. 215,564 10/1969 MacPhee D10/103
- D. 229,968 1/1974 Williams D10/46
- D. 249,480 9/1978 Jungman D10/81
- D. 251,114 2/1979 Potts D10/103 X

- D. 255,552 6/1980 Schonstedt D10/46 X
- D. 261,871 11/1981 Akers D10/81
- 3,806,797 4/1974 Harvey 324/438
- 4,090,925 5/1978 Jungman 324/438 X

FOREIGN PATENT DOCUMENTS

- 55-17940 5/1980 Japan 324/438

OTHER PUBLICATIONS

IBM Instruments, Inc. (Electrochemical), Cat., 11/82, pp. 14-15, pH Meters at top.

Popular Mechanics, 11/78, p. 36, pH Meter at bottom right.

Primary Examiner—Nelson C. Holtje
Attorney, Agent, or Firm—Marshall, O'Toole, Gerstein, Murray & Bicknell

[57] CLAIM

The ornamental design for a pH meter, or the like, as shown and described.

DESCRIPTION

FIG. 1 is a front and top-left isometric view of a pH meter, or the like showing our new design;
FIG. 2 is a right side elevational view thereof;
FIG. 3 is a rear elevational view thereof;
FIG. 4 is a bottom plan view thereof.

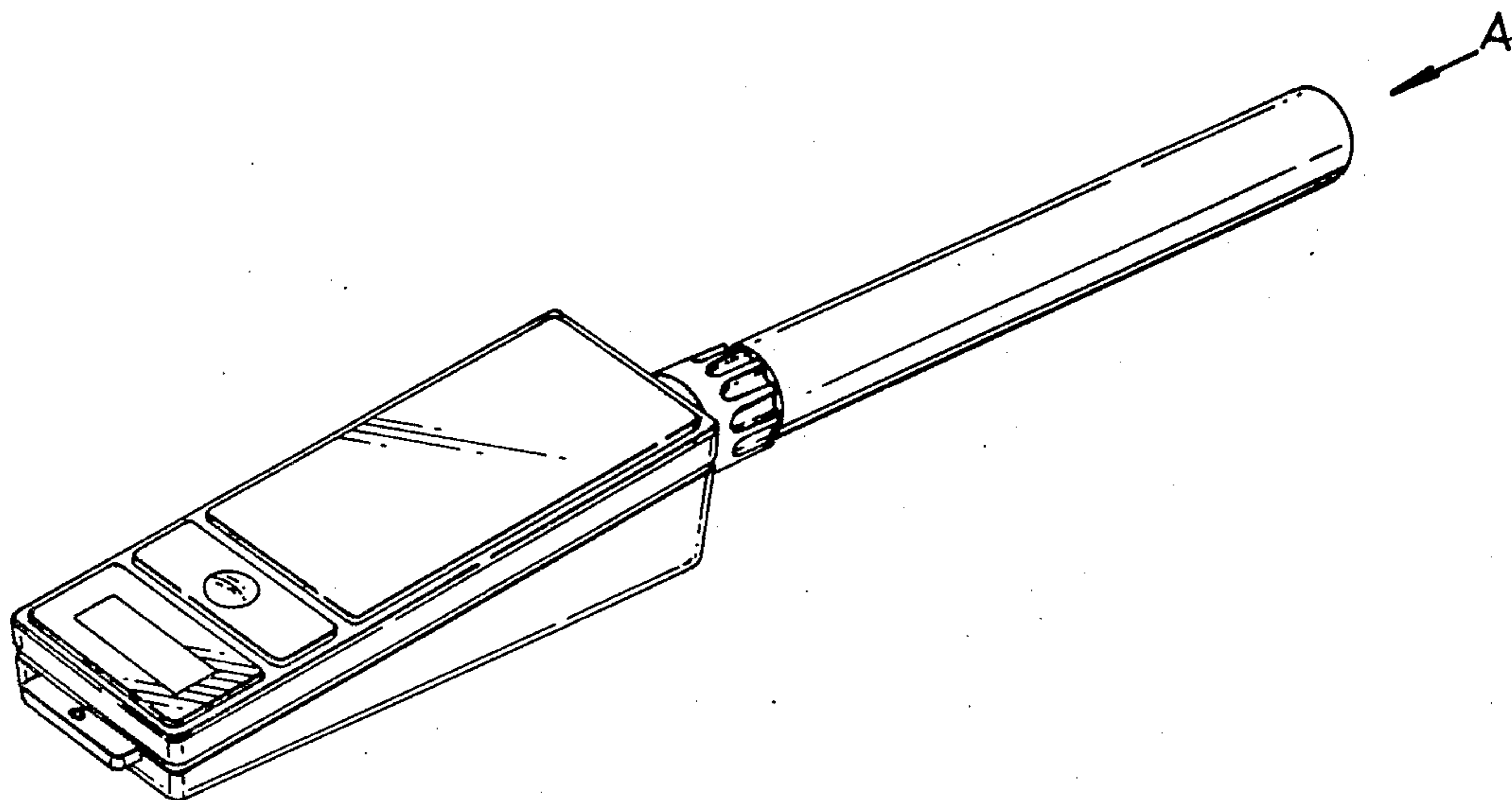


Fig. 1.

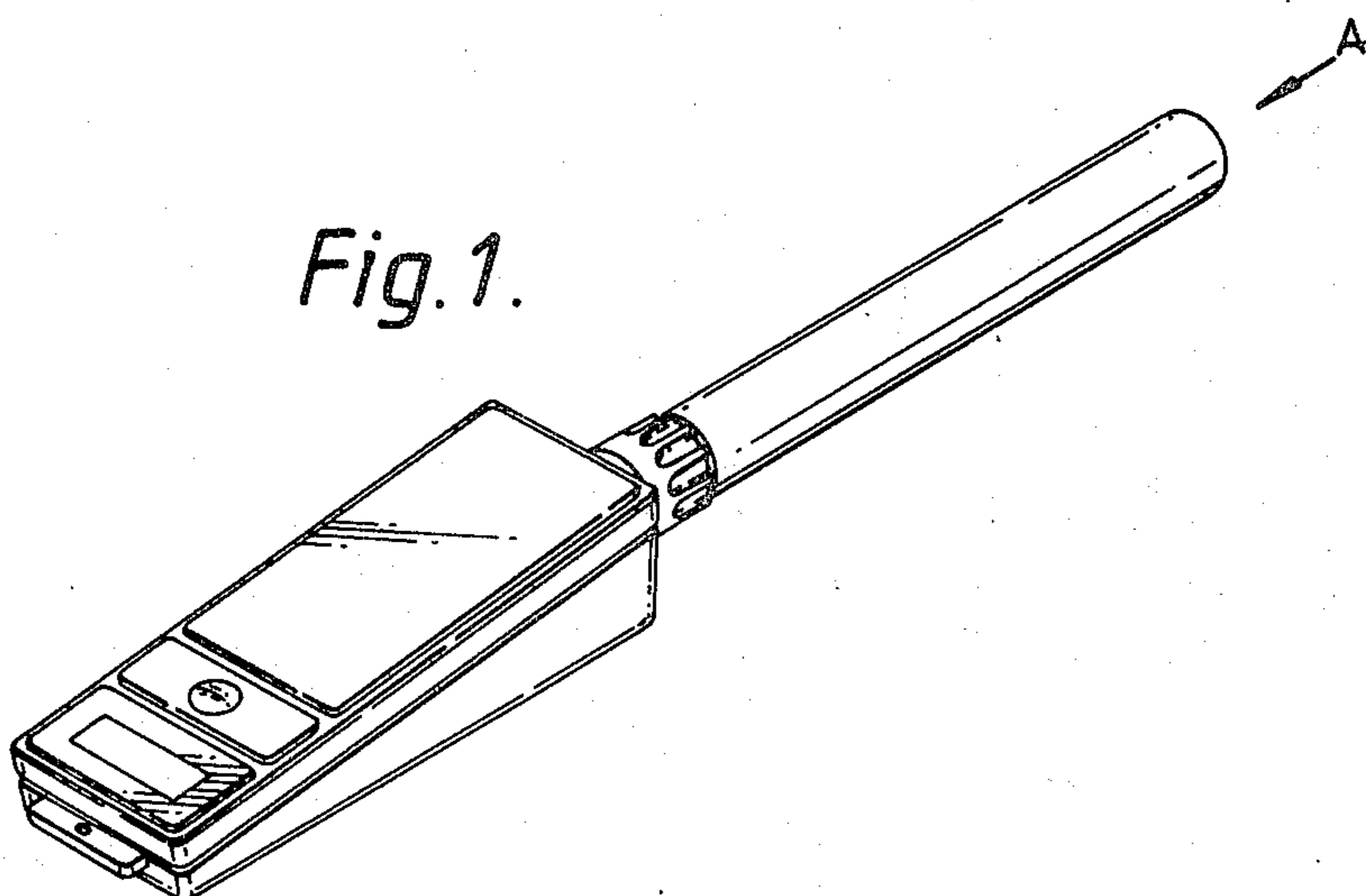


Fig. 2.

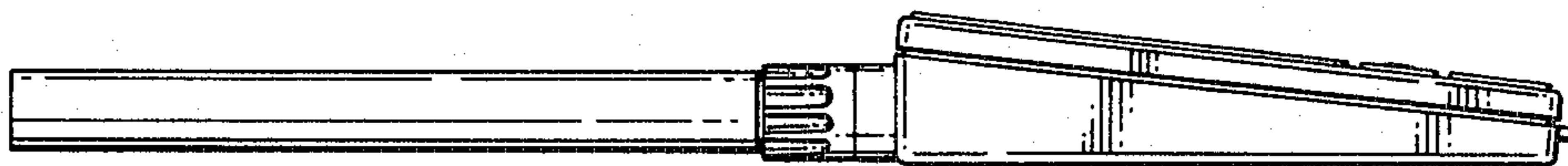


Fig. 3.

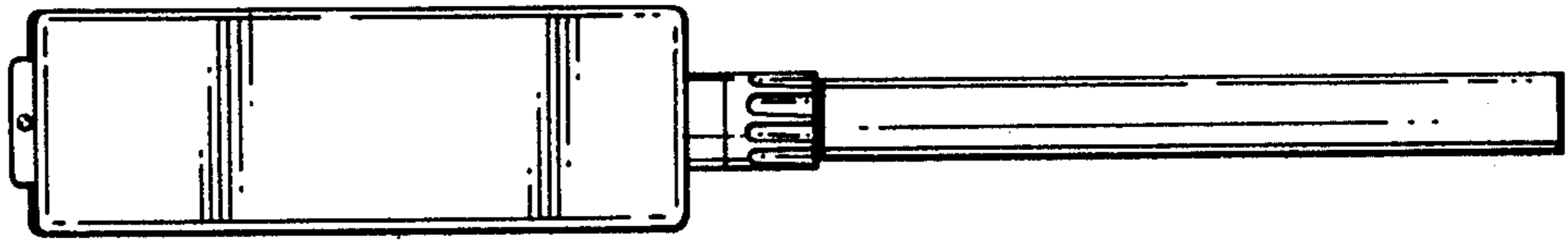


Fig. 4.

