

United States Patent [19]
Cutler

[11] **Patent Number: Des. 275,263**

[45] **Date of Patent: ** Aug. 28, 1984**

[54] **CORD REEL**

[75] **Inventor: Morris Cutler, Wyndmoor, Pa.**

[73] **Assignee: Ametek, Inc., New York, N.Y.**

[**] **Term: 14 Years**

[21] **Appl. No.: 307,063**

[22] **Filed: Sep. 30, 1981**

[52] **U.S. Cl. D8/358; D8/359**

[58] **Field of Search D8/358, 359**

[56] **References Cited**

U.S. PATENT DOCUMENTS

D. 226,165 1/1973 Miller D8/358

D. 260,985 9/1981 Moylan D8/359 X

Primary Examiner—Catherine E. Kemper
Attorney, Agent, or Firm—John F. A. Earley

[57] **CLAIM**

The ornamental design for a cord reel, as shown.

DESCRIPTION

FIG. 1 is a right side elevational view of a cord reel showing my new design;

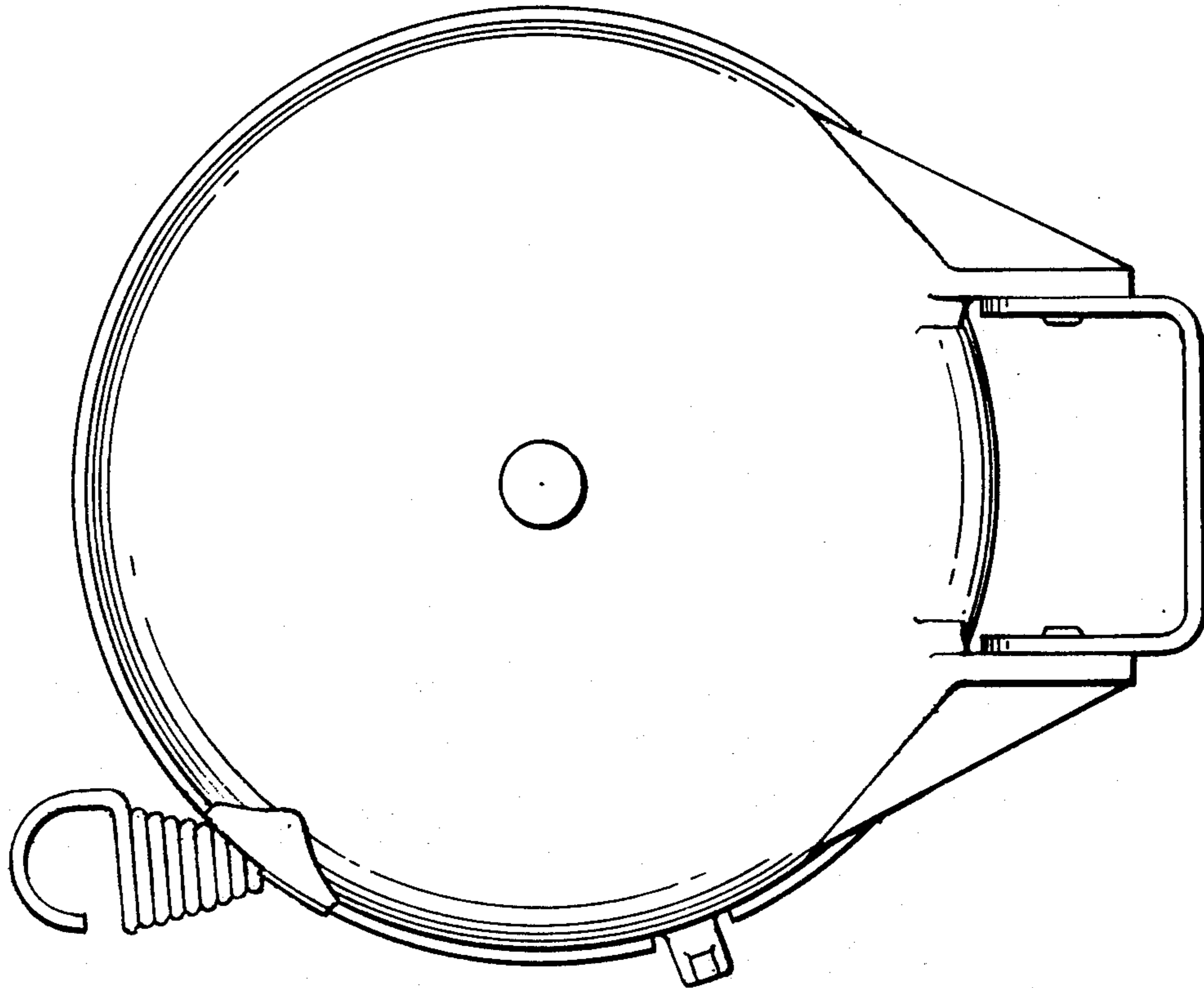
FIG. 2 is a left side elevational view thereof;

FIG. 3 is a front elevational view thereof;

FIG. 4 is a rear elevational view thereof;

FIG. 5 is a top plan view thereof; and

FIG. 6 is a bottom plan view thereof.



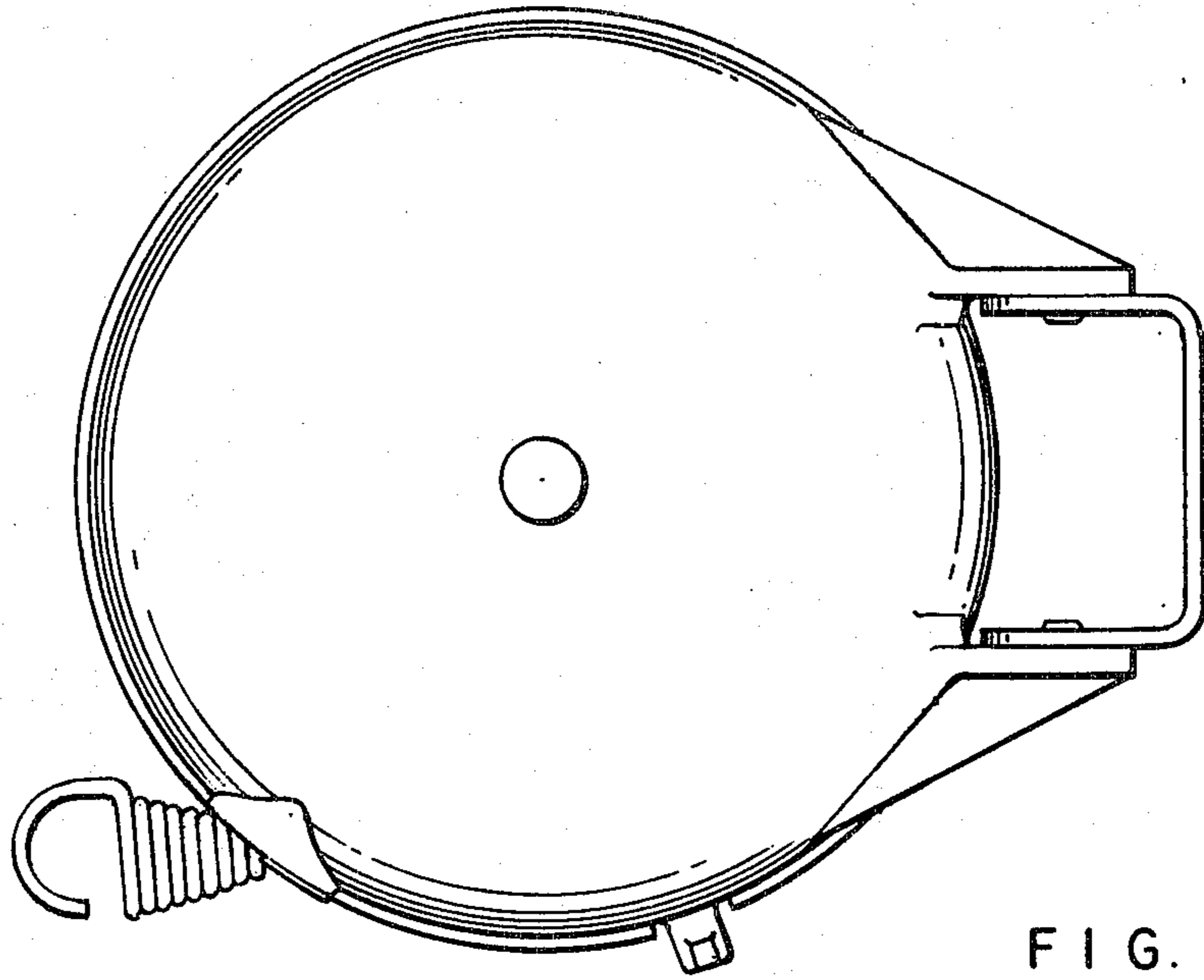


FIG. 1.

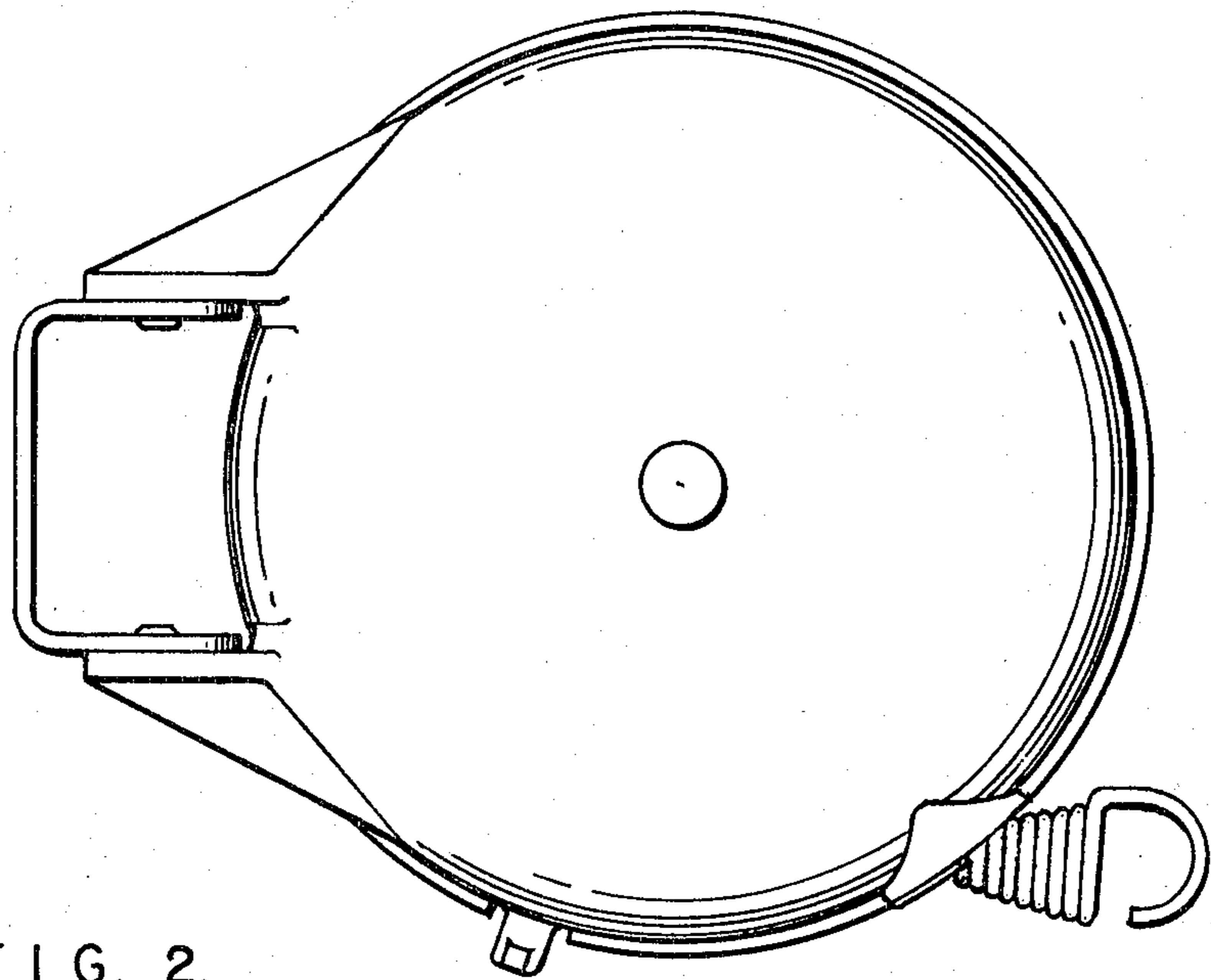


FIG. 2.

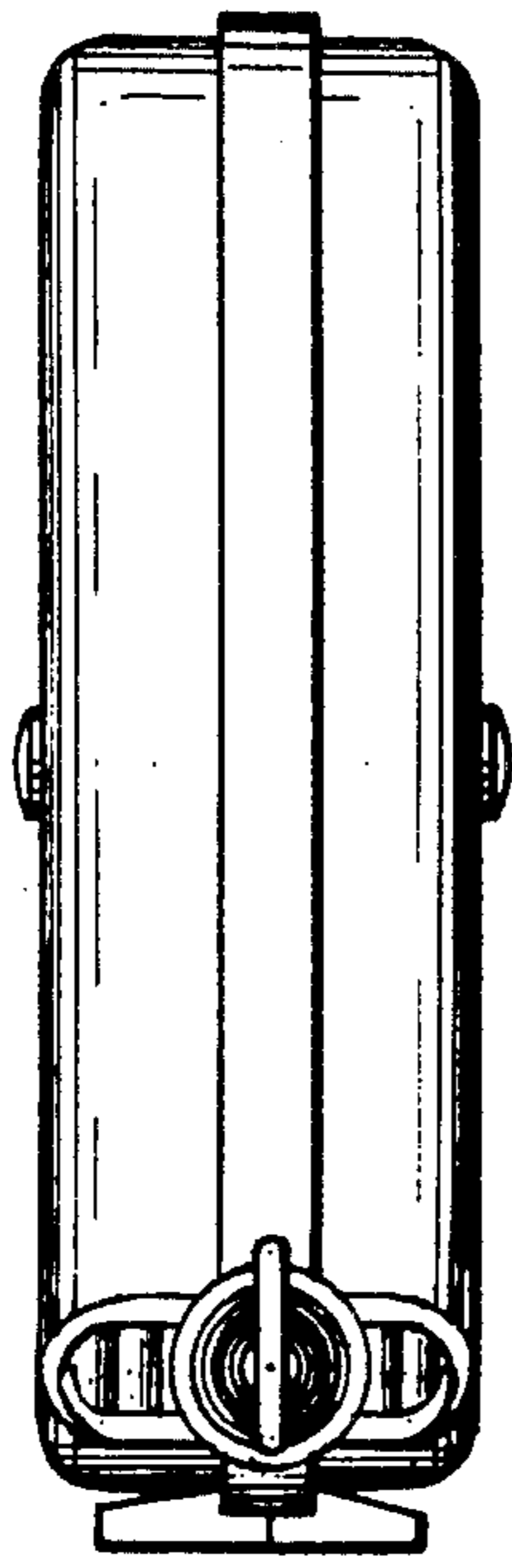


FIG. 3.

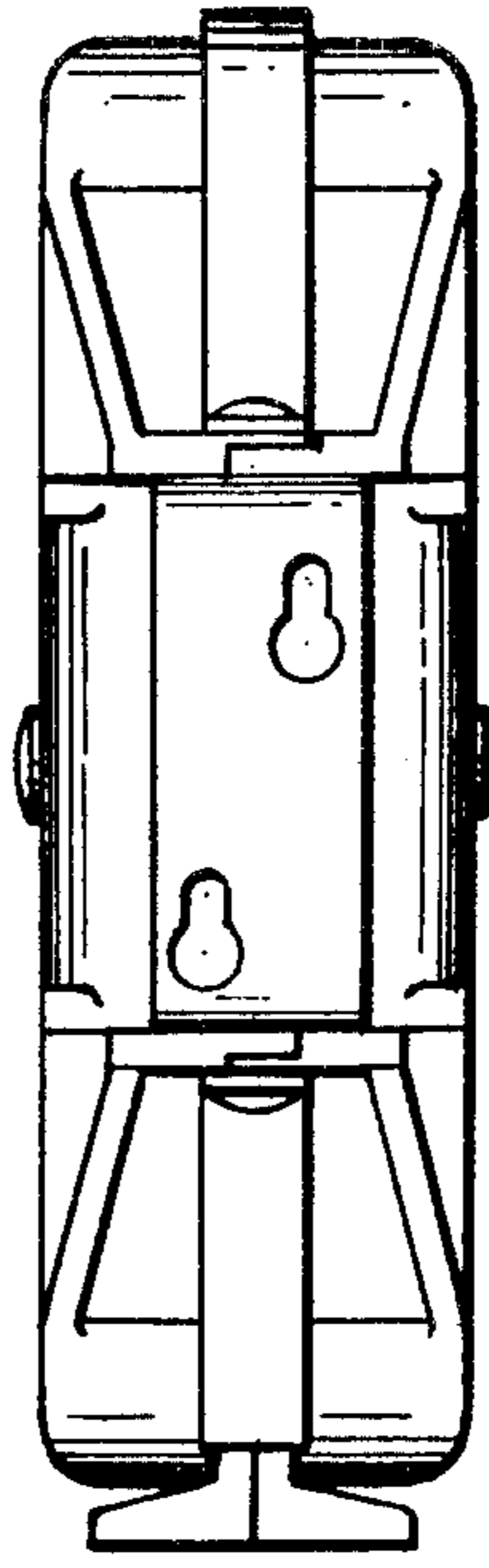


FIG. 4.

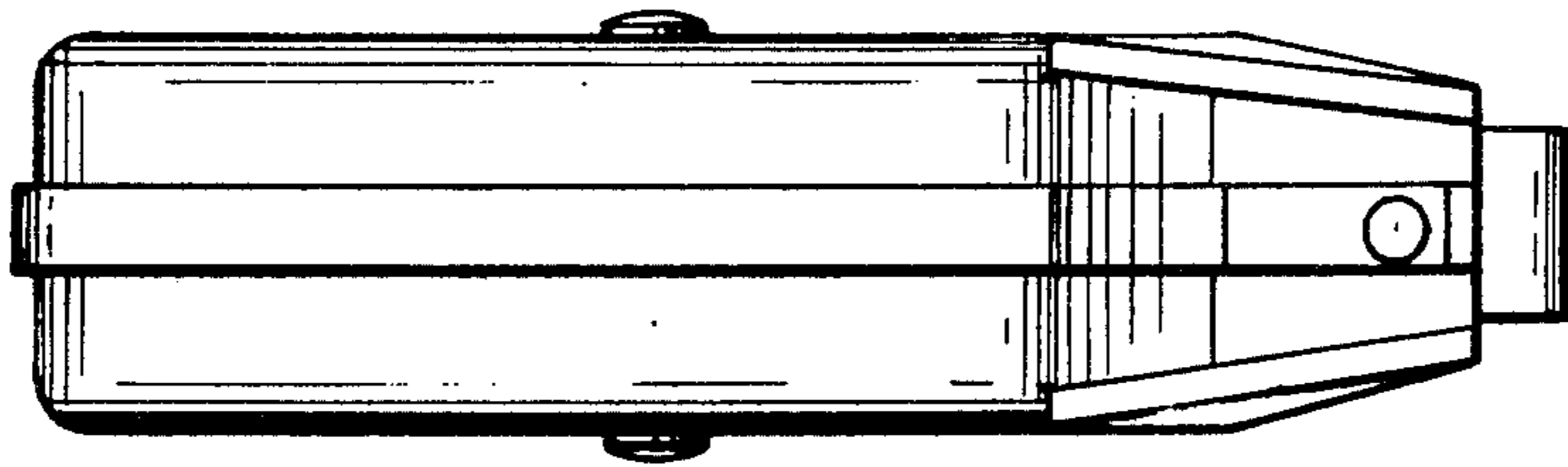


FIG. 5.

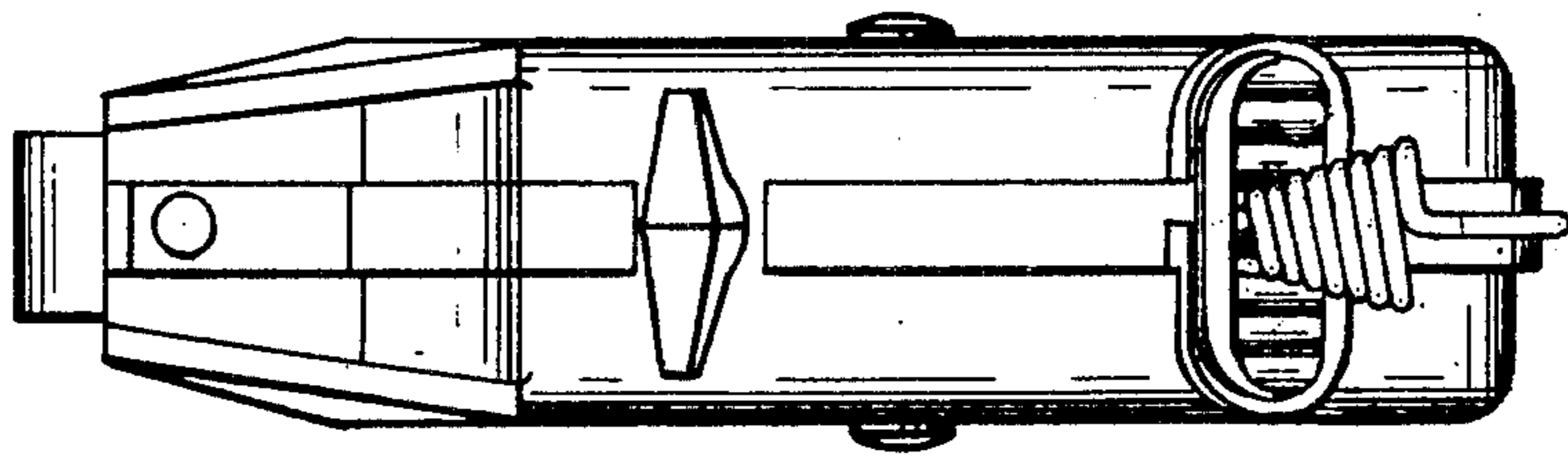


FIG. 6.