

[54] HAMMER

[76] Inventor: Thomas E. Crowder, 4558 Rosewell Rd., Atlanta, Ga. 30342

[\*\*] Term: 14 Years

[21] Appl. No.: 325,123

[22] Filed: Nov. 27, 1981

Related U.S. Application Data

[63] Continuation-in-part of Ser. No. 65,585, Aug. 10, 1979, Pat. No. Des. 267,469.

[52] U.S. Cl. .... D8/75

[58] Field of Search ..... D8/75-80; 145/29 R, 30 R, 30 A, 36, 61 R; 7/147, 146

[56] References Cited

U.S. PATENT DOCUMENTS

D. 267,469	1/1983	Crowder	.....	D8/75
589,178	8/1897	Kelly	.....	145/30 R
2,597,876	5/1952	Kurkjian	.....	145/30 A
2,662,569	12/1953	Swalinkavich, Jr.	.....	145/61 R X
3,987,828	10/1976	Matheis	.....	7/146 X

FOREIGN PATENT DOCUMENTS

166412	12/1955	Australia	.....	145/30 R
--------	---------	-----------	-------	----------

OTHER PUBLICATIONS

Stanley Tools Broadline Catalog #34, 1973/74, p. 24, hammer grip.

Primary Examiner—Susan J. Lucas

[57] CLAIM

The ornamental design for a hammer, as shown and described.

DESCRIPTION

FIG. 1 is a front perspective view of a hammer showing my design.

FIG. 2 is a side elevational view thereof.

FIG. 3 is a bottom view thereof.

FIG. 4 is a top view thereof.

FIG. 5 is a front elevational view thereof.

FIG. 6 is a rear elevational view thereof.

FIG. 7 is a sectional view taken along lines 7—7 of FIG. 2.

FIG. 8 is a sectional view thereof taken along lines 8—8 of FIG. 2.

FIG. 9 is a sectional view thereof taken along lines 9—9 of FIG. 4.

FIG. 10 is a perspective view of a second embodiment of my new design.

FIG. 11 is a side elevational view thereof.

FIG. 12 is a bottom view thereof.

FIG. 13 is a top view thereof of FIG. 11.

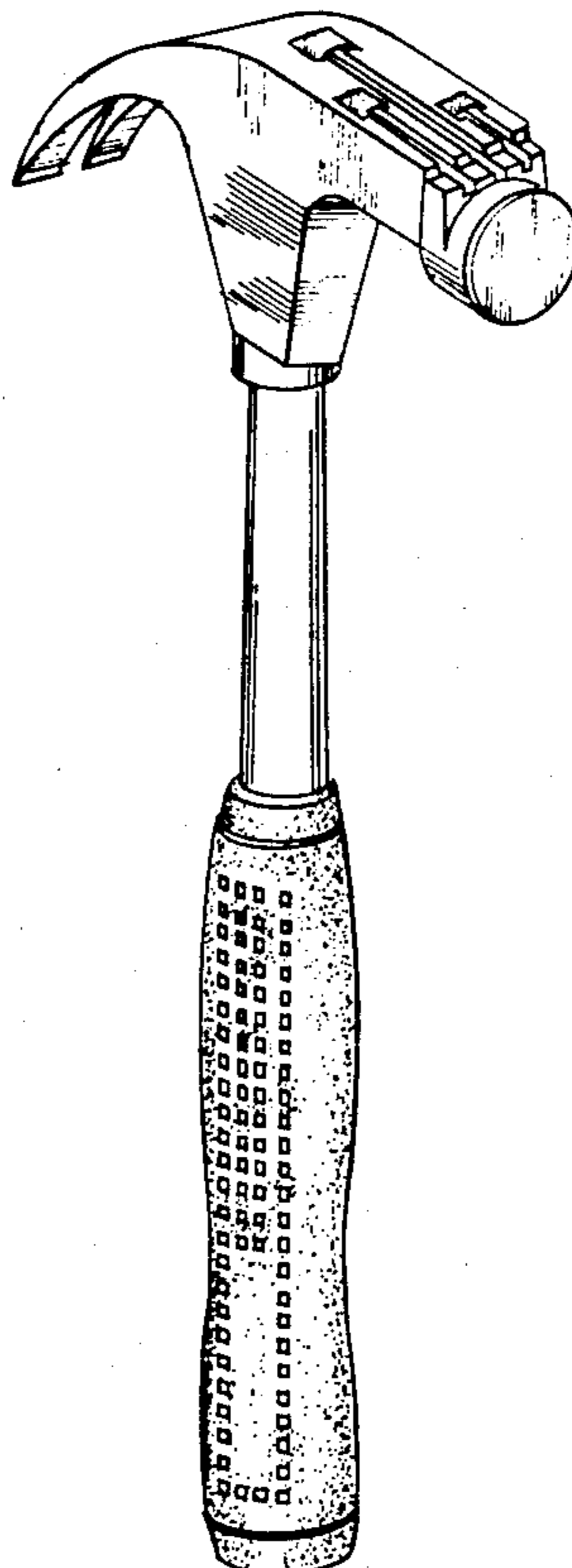
FIG. 14 is a front elevational view thereof.

FIG. 15 is a rear elevational view thereof of the side shown in FIG. 11.

FIG. 16 is a sectional view thereof taken along lines 16—16 of FIG. 11.

FIG. 17 is a sectional view thereof taken along lines 17—17 of FIG. 11.

FIG. 18 is a sectional view thereof taken along lines 18—18 of FIG. 13.



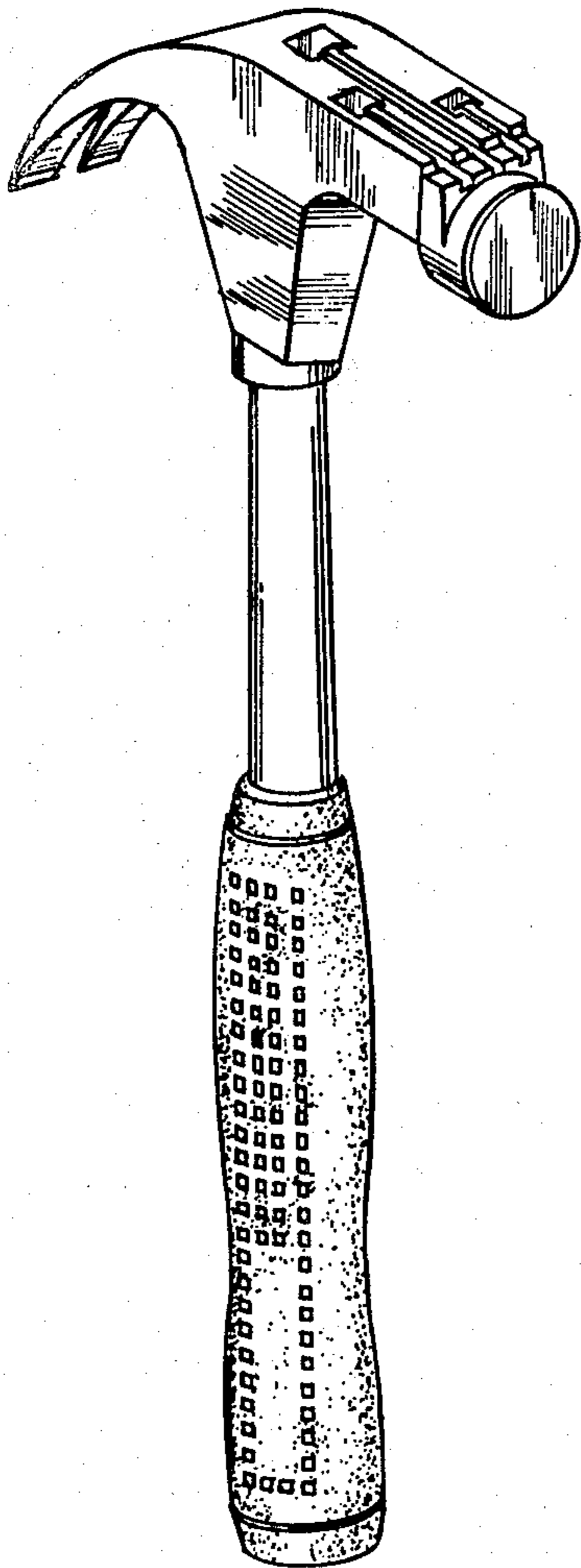


FIG. 1

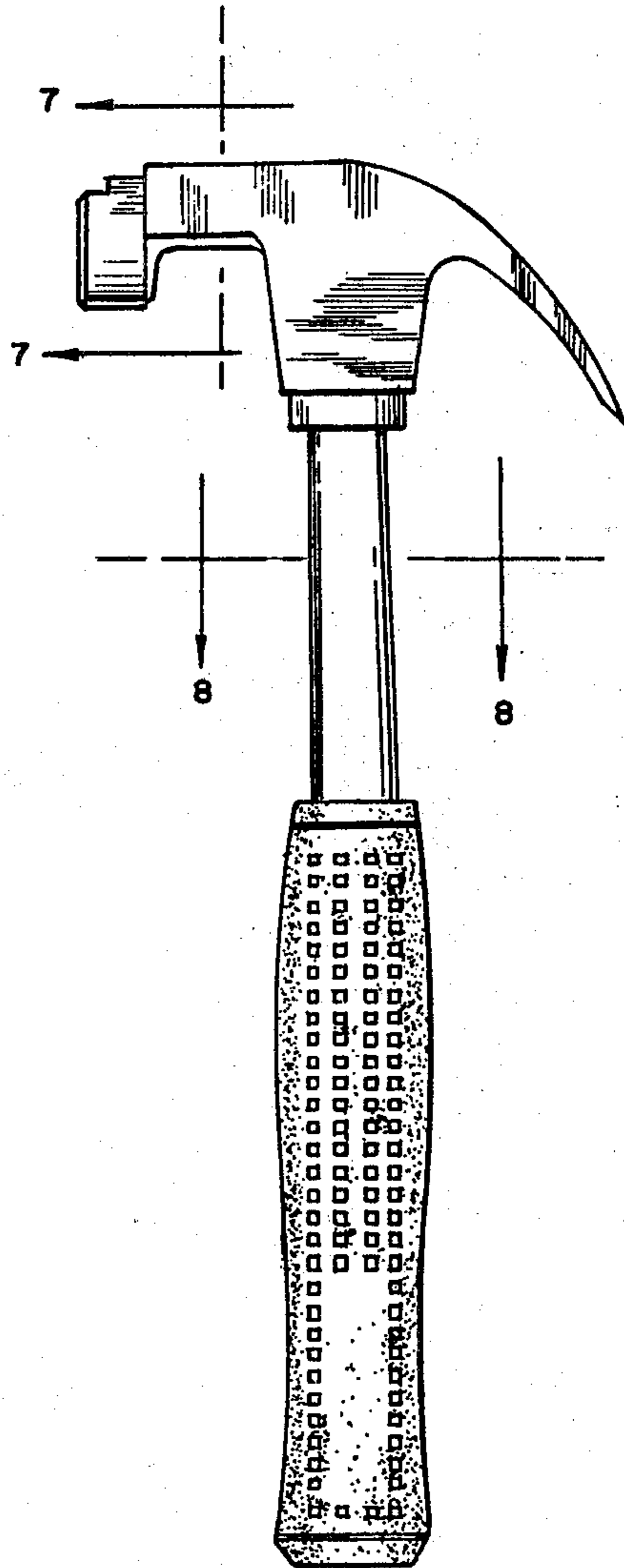


FIG. 2

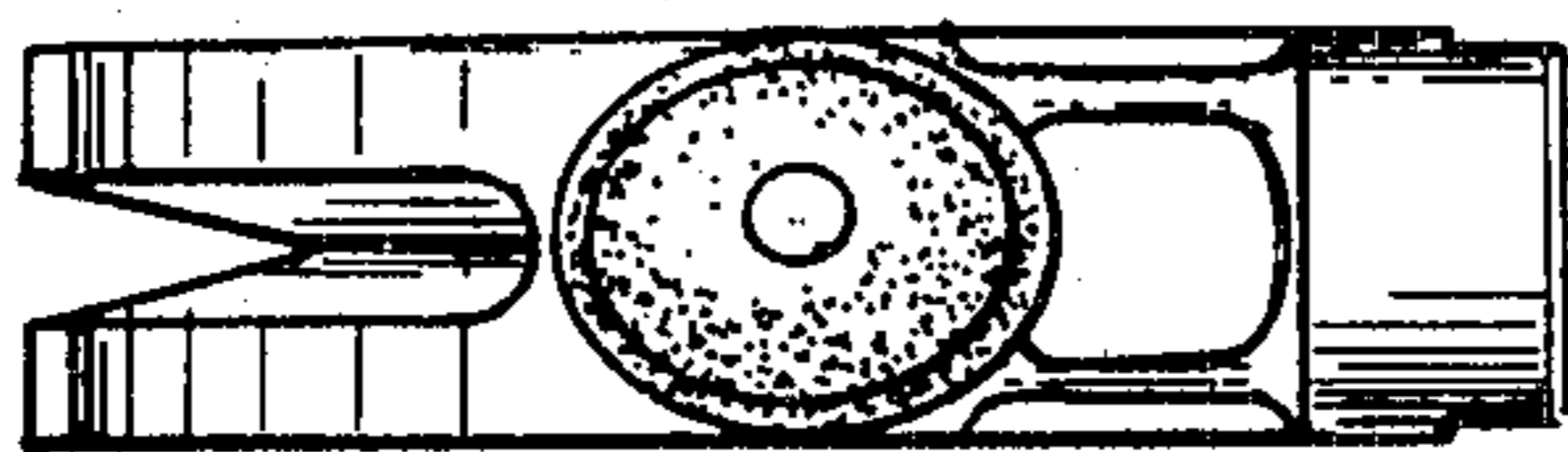


FIG. 3

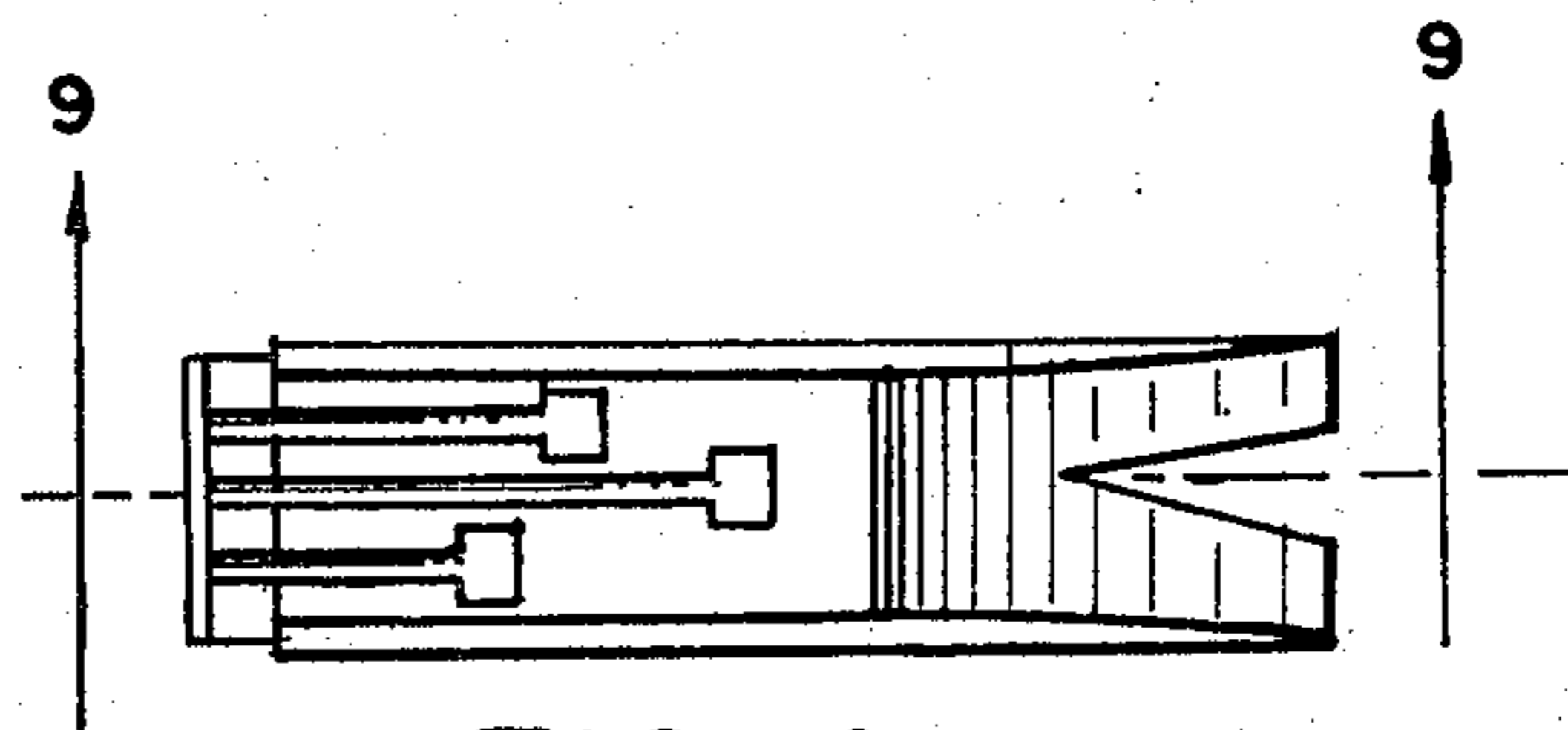


FIG. 4

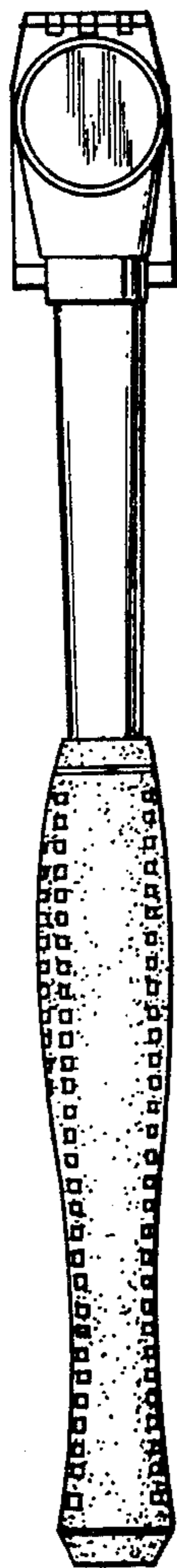


FIG. 5

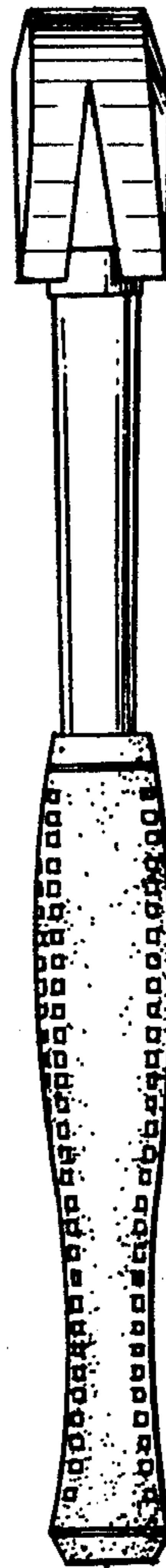


FIG. 6

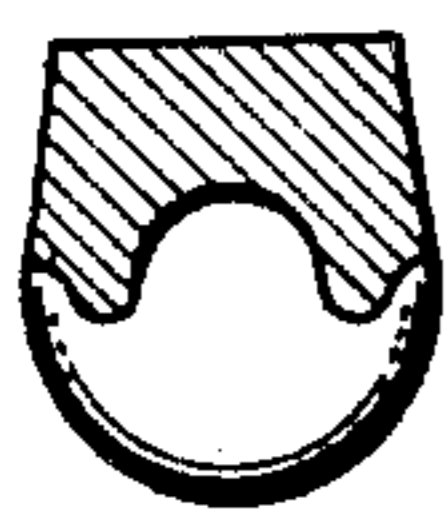


FIG. 7

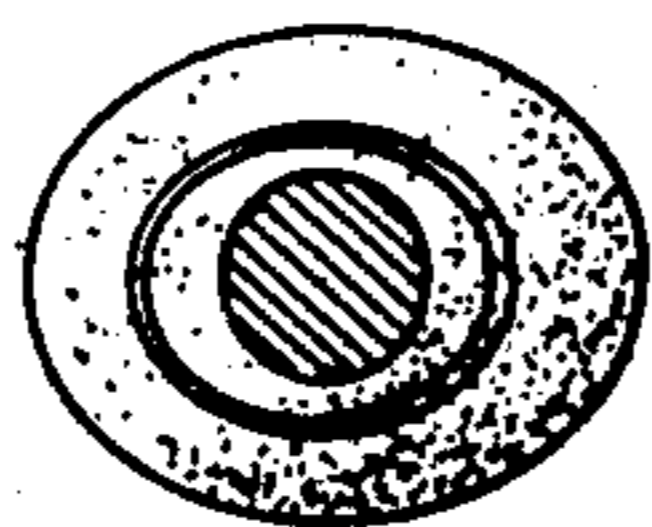


FIG. 8

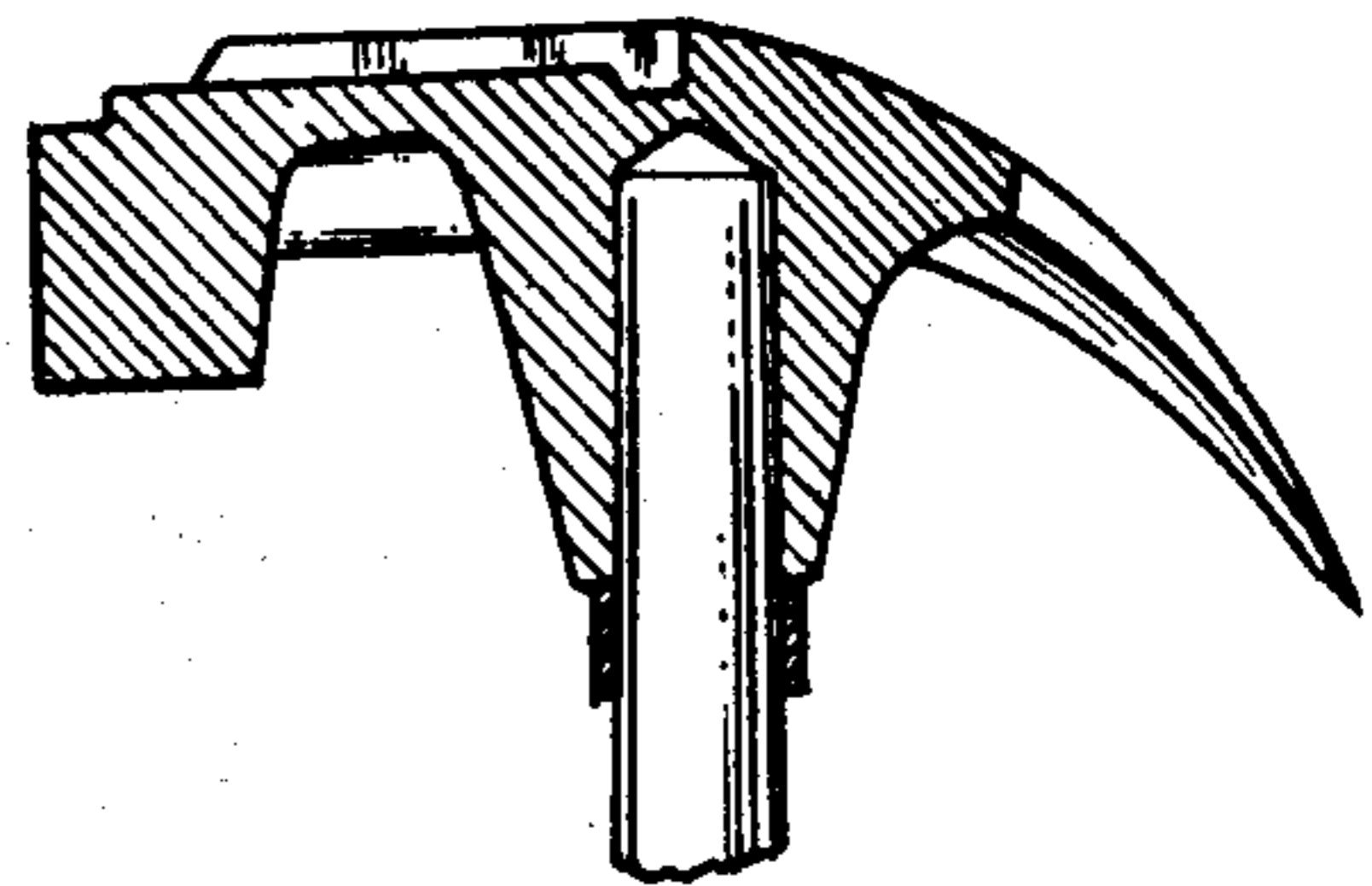


FIG. 9

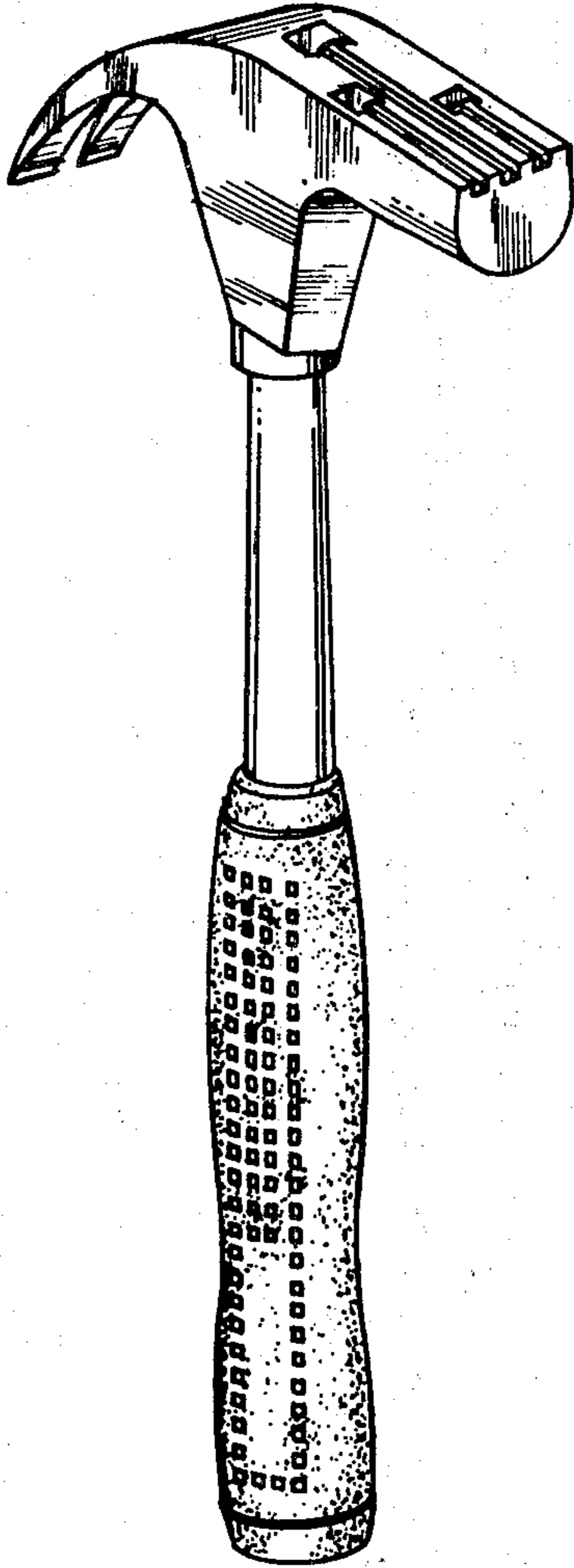


FIG. 10

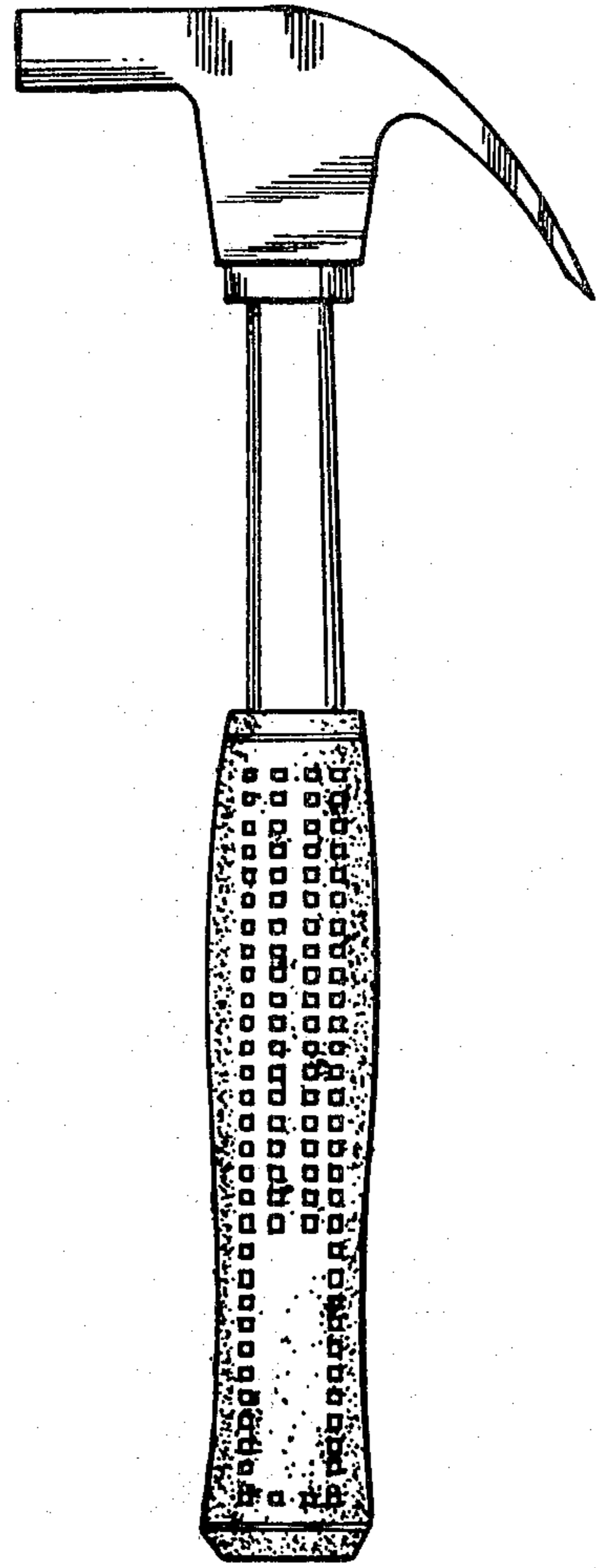


FIG. 11

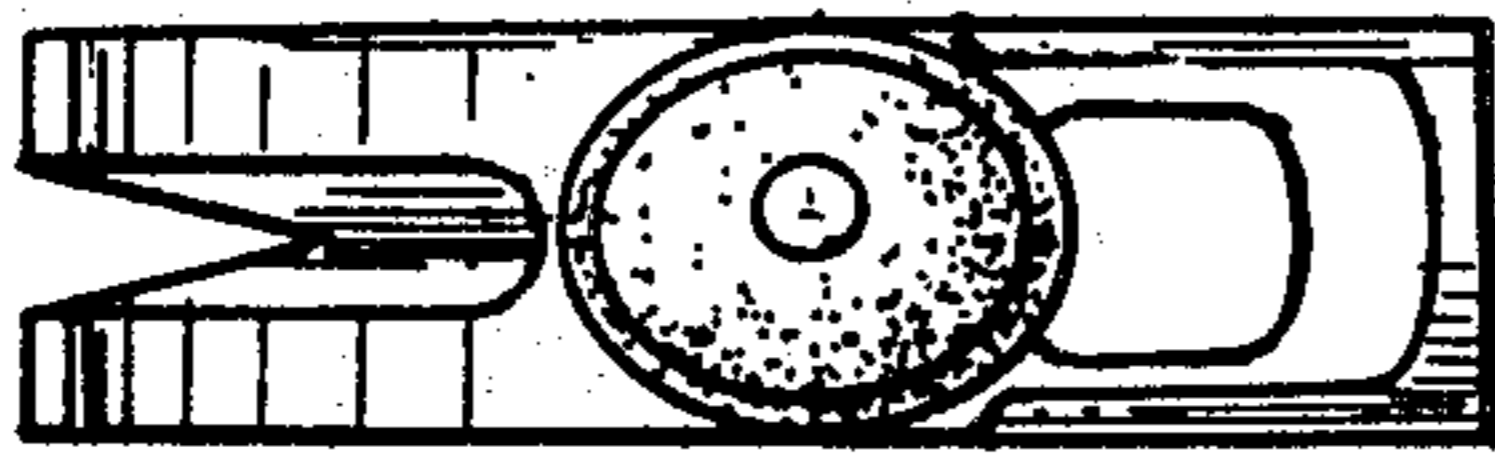


FIG. 12

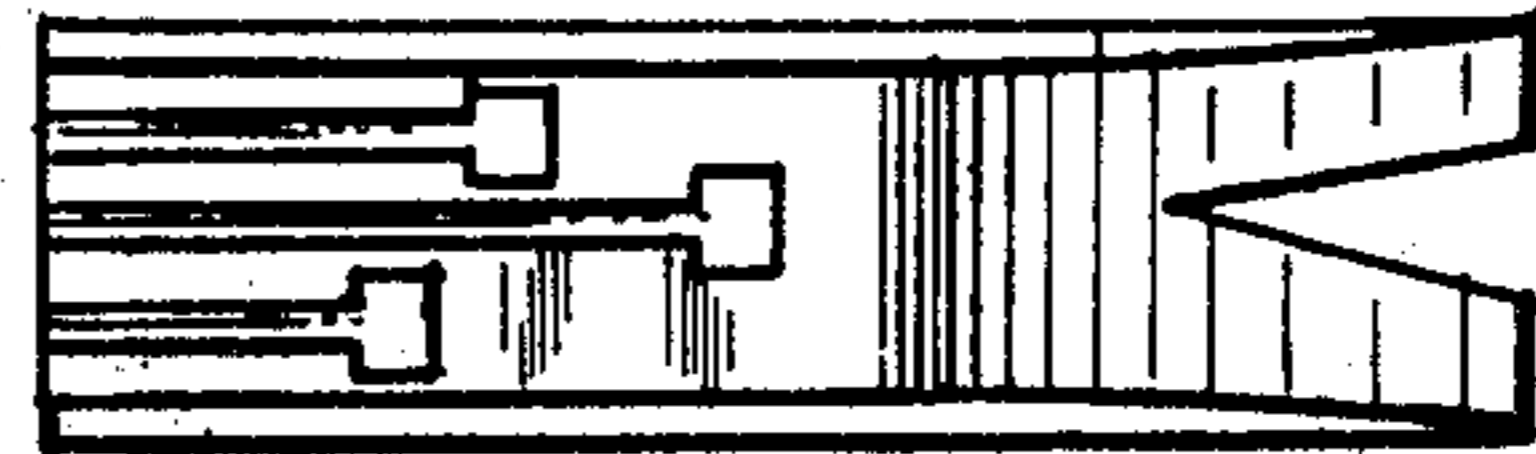


FIG. 13

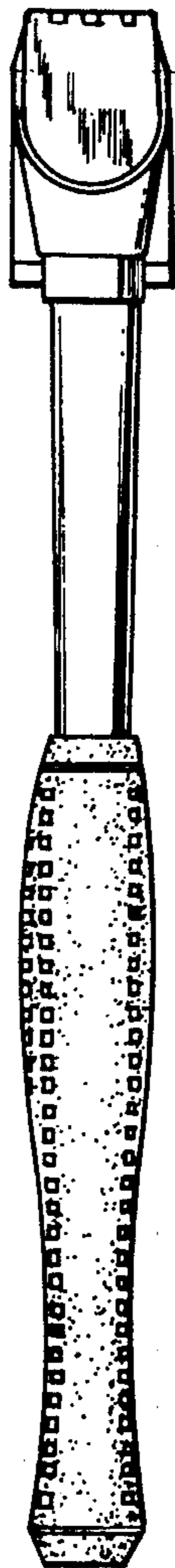


FIG. 14

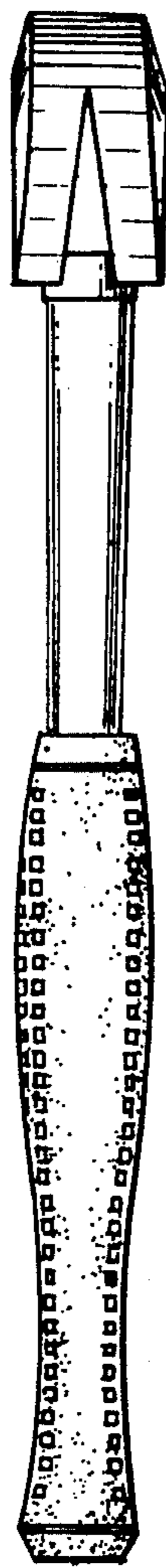


FIG. 15

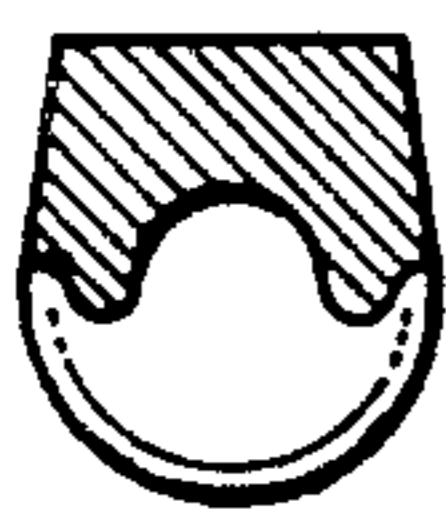


FIG. 16

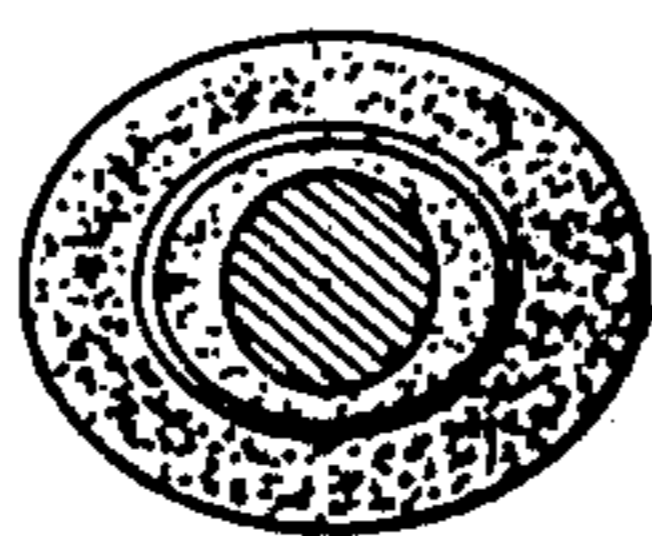


FIG. 17

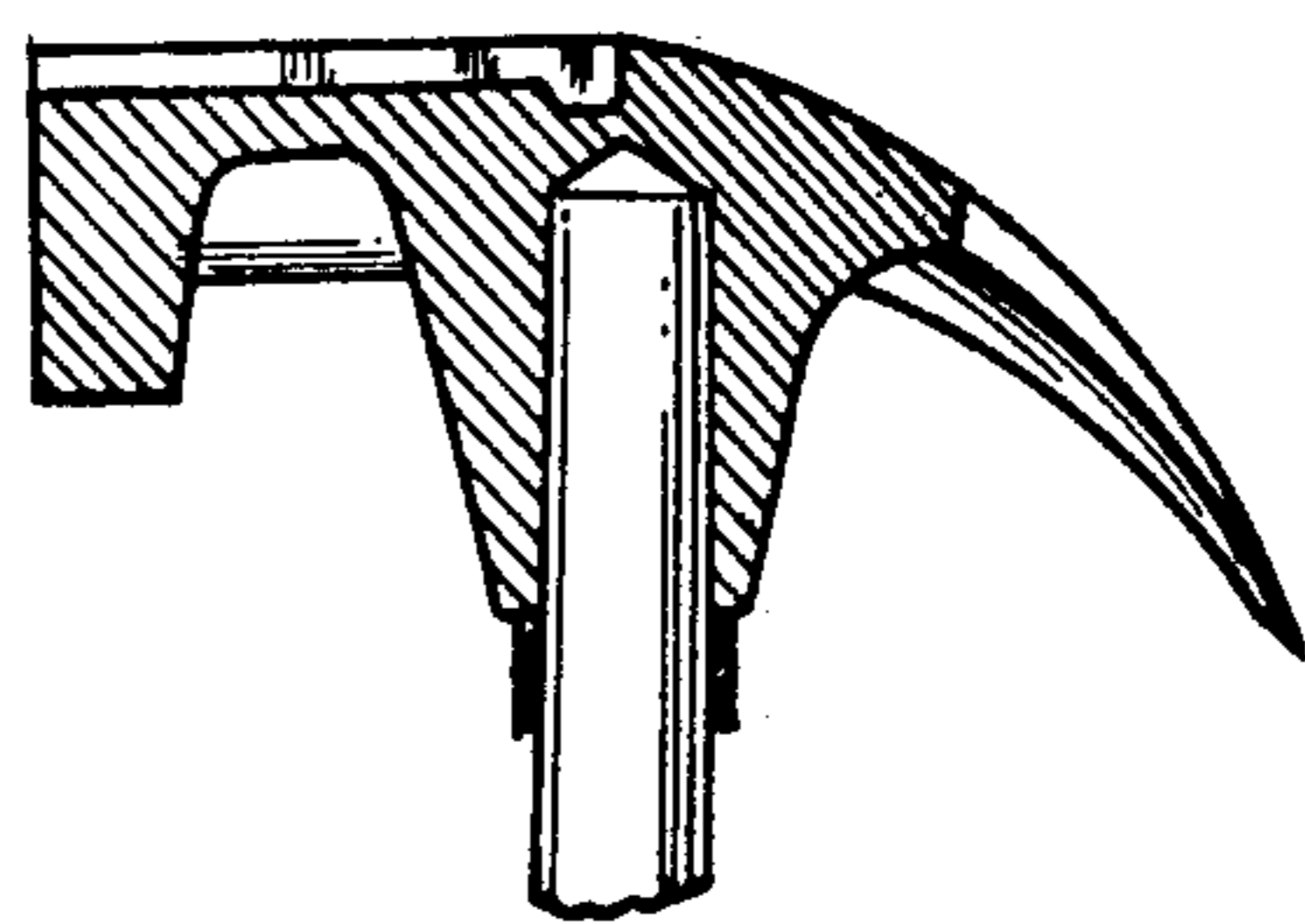


FIG. 18