

[54] STAPLING MACHINE

[75] Inventor: Lars G. Rosenblad, Gränna, Sweden

[73] Assignee: Isabergs Verkstads AB, Hestra, Sweden

[\*\*] Term: 14 Years

[21] Appl. No.: 330,693

[22] Filed: Dec. 14, 1981

[30] Foreign Application Priority Data

Jul. 6, 1981 [SE]	Sweden	81-1522
[52] U.S. Cl.		D8/50
[58] Field of Search		D8/49, 50; 221/61; D19/72

[56] References Cited

U.S. PATENT DOCUMENTS

D. 186,201	9/1959	Rosengren	.....	D8/50
D. 216,498	1/1970	Gaya	.....	D8/50
D. 241,502	9/1976	Guertz	.....	D8/50
D. 241,907	10/1976	McDonnell et al.	.....	D8/50
D. 244,253	5/1977	Power et al.	.....	D8/50

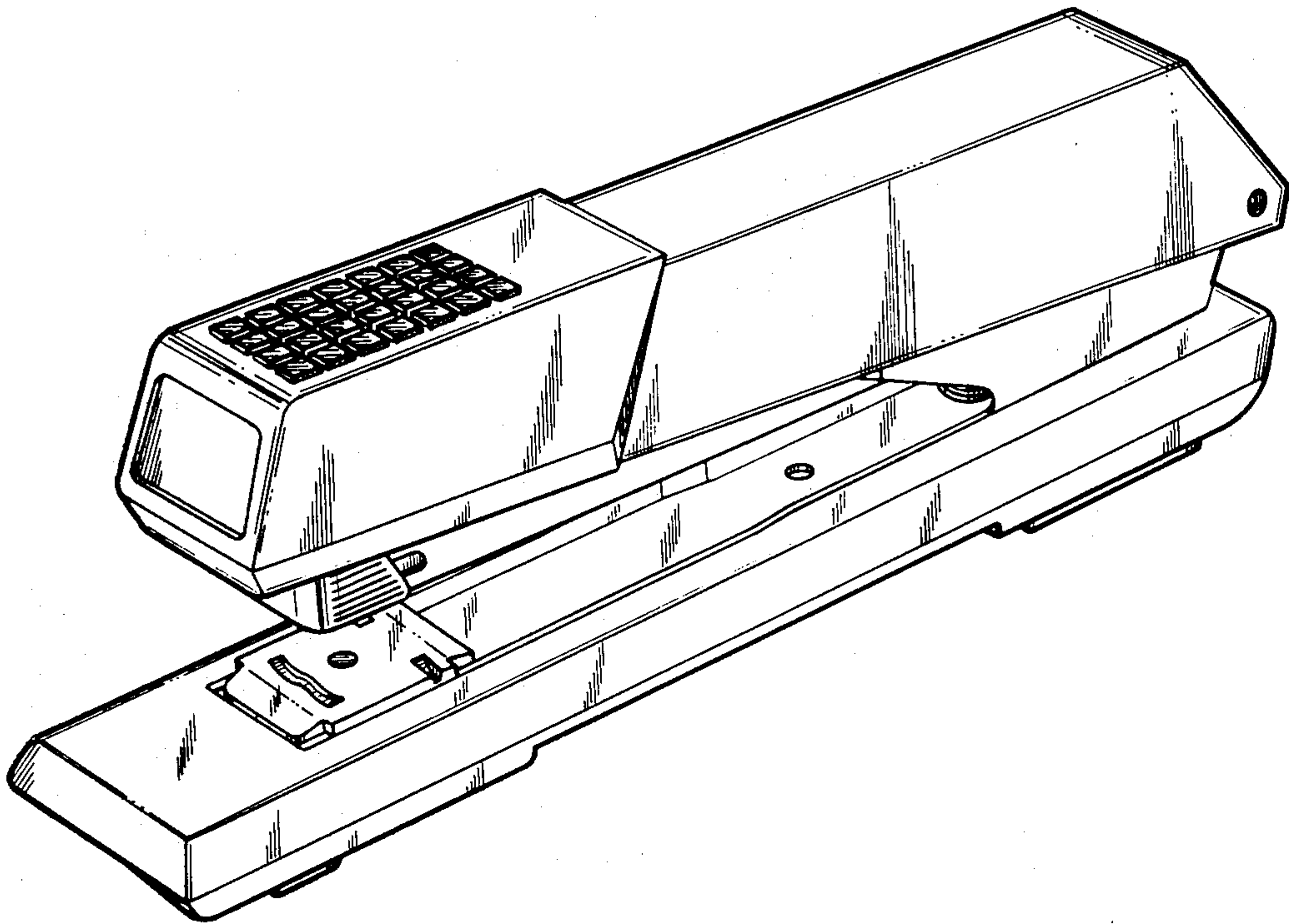
Primary Examiner—George P. Word  
Attorney, Agent, or Firm—Shapiro and Shapiro

[57] CLAIM

The ornamental design for a stapling machine, as shown and described.

DESCRIPTION

FIG. 1 is a right front perspective view of a stapling machine showing my new design; FIG. 2 is a right rear perspective view thereof; FIG. 3 is a bottom plan view thereof; FIG. 4 is a right side elevational view thereof; FIG. 5 is a front elevational thereof; and FIG. 6 is a rear elevational view thereof.



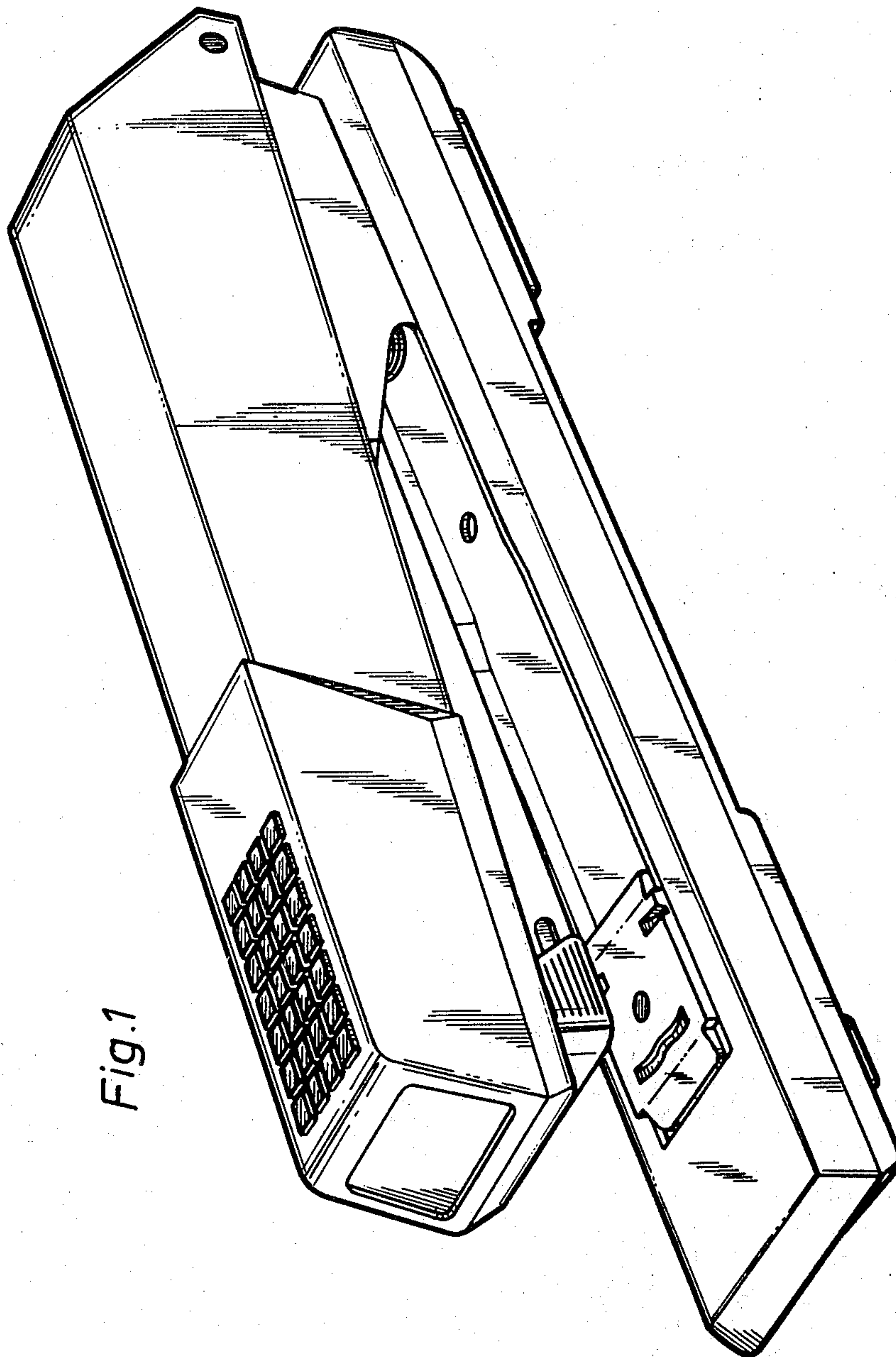


Fig.1

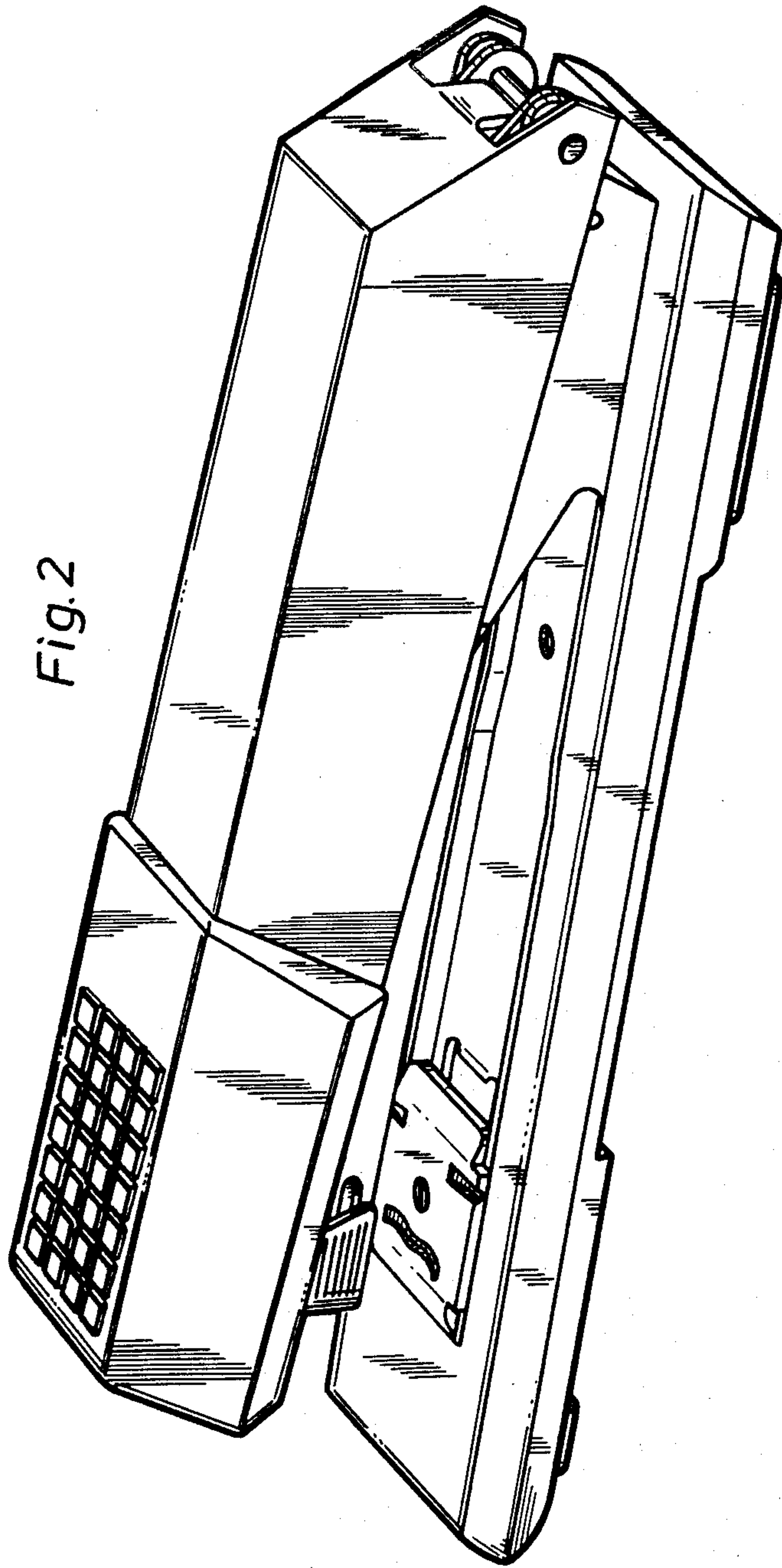


Fig. 2

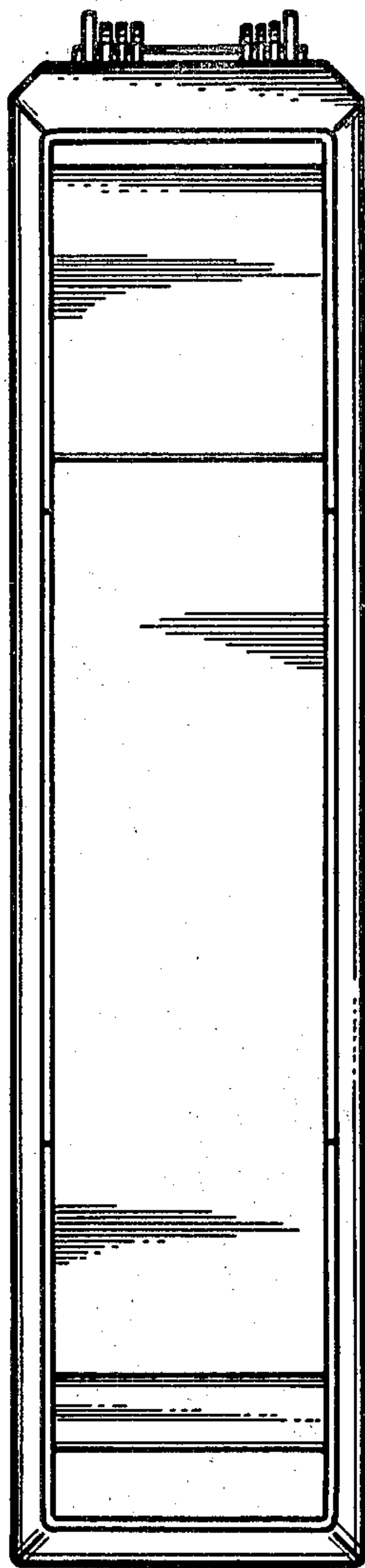


Fig.3

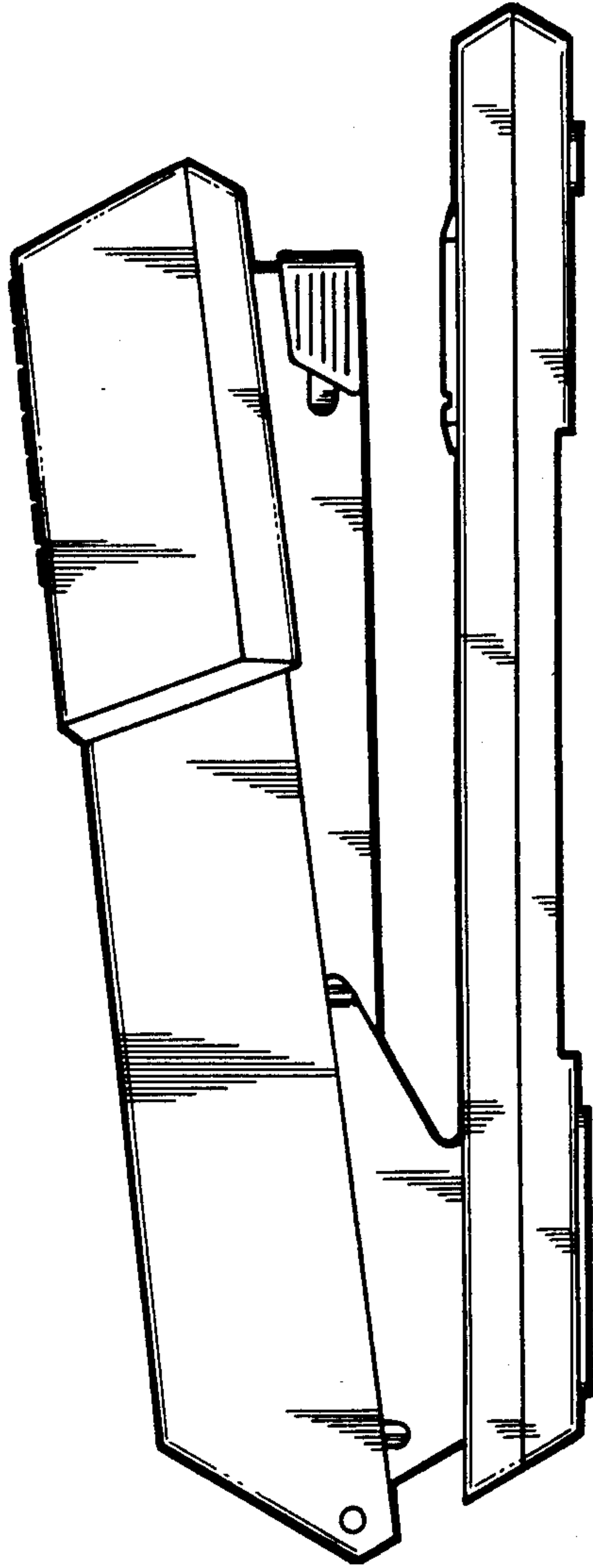


Fig. 4

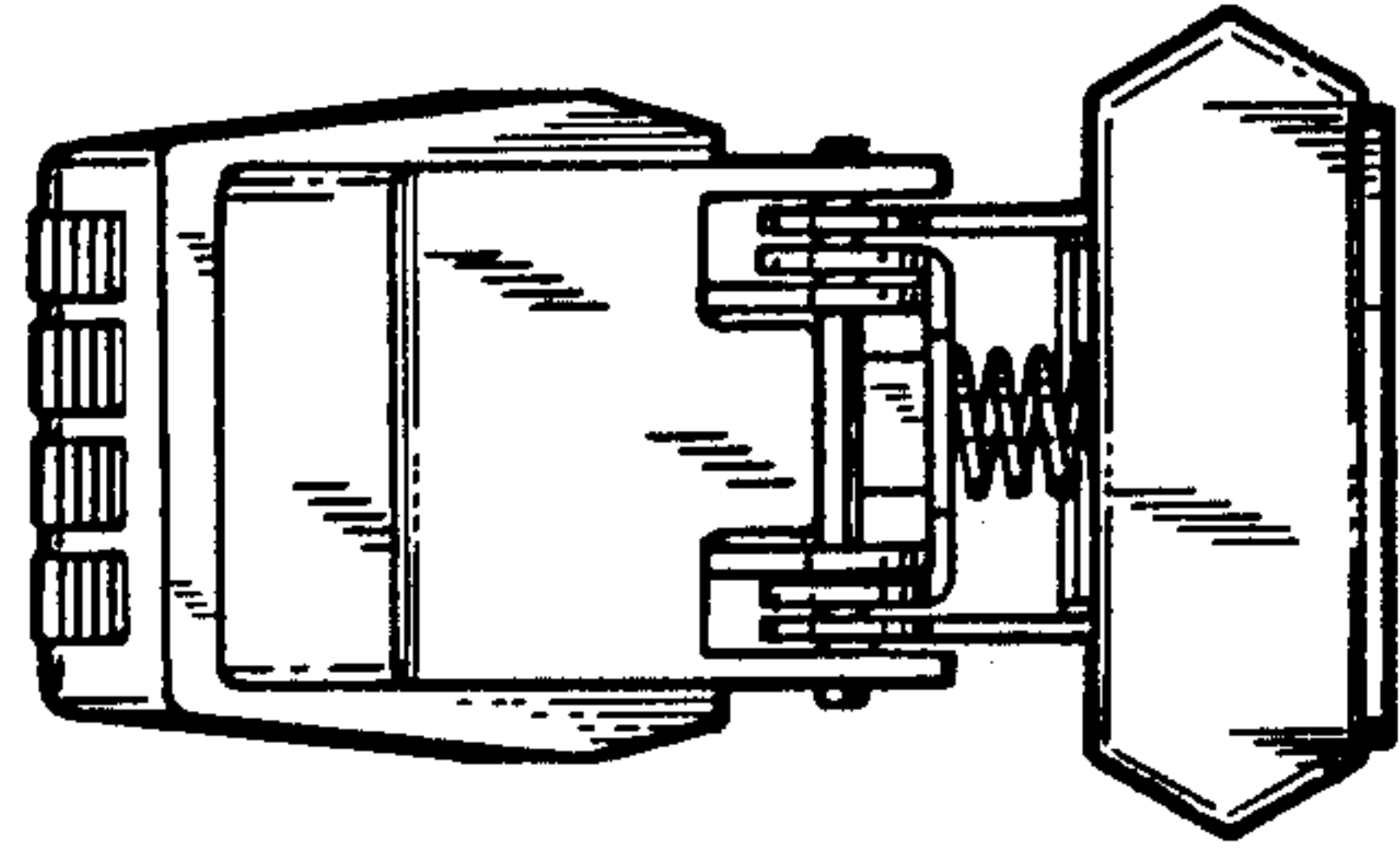


Fig. 6

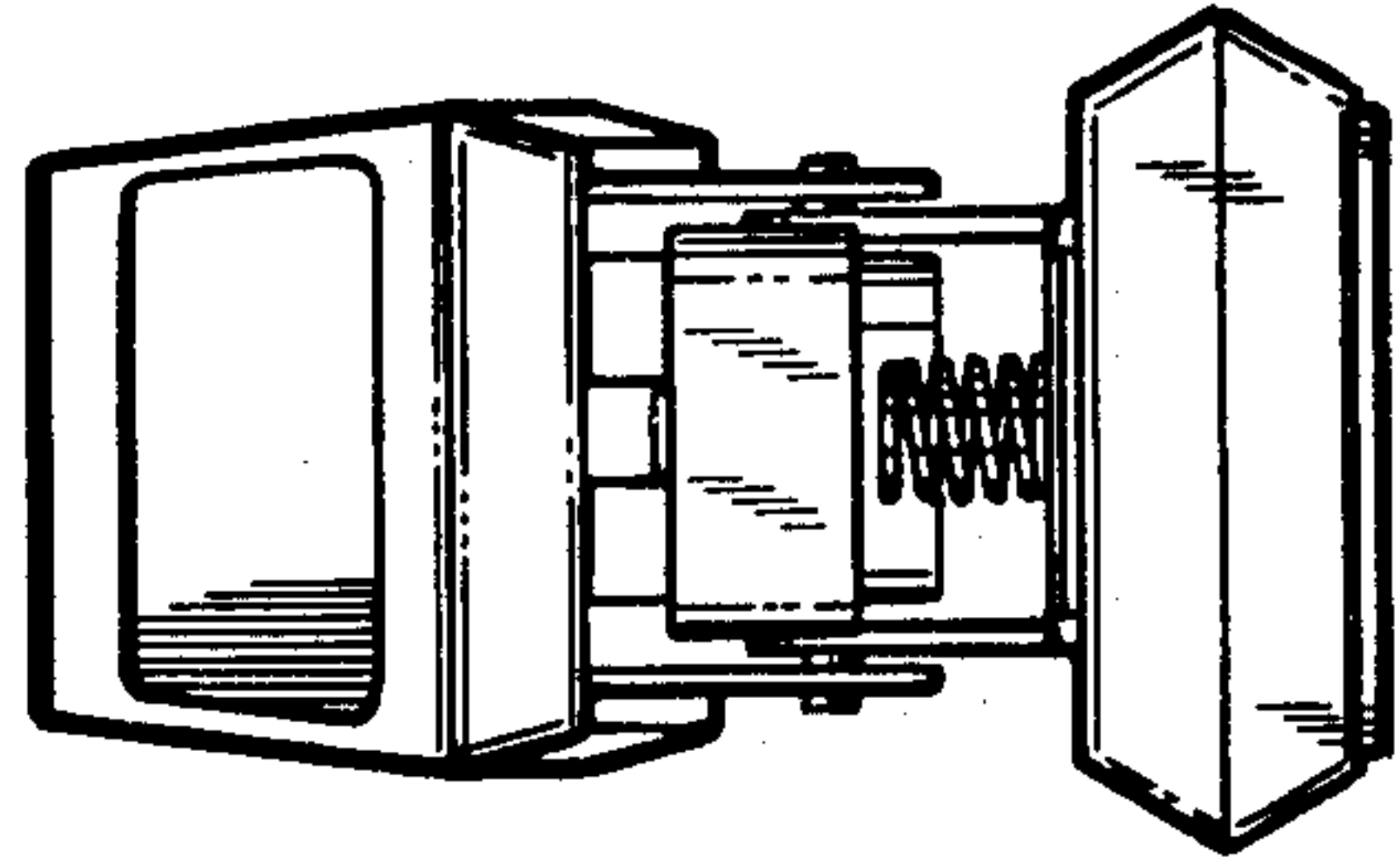


Fig. 5