

United States Patent [19]

Rattner

[11] Patent Number: **Des. 275,257**

[45] Date of Patent: **** Aug. 28, 1984**

[54] **NOZZLE UNIT FOR AN INDUSTRIAL OVEN**

[75] Inventor: **David Rattner, Solebury, Pa.**

[73] Assignee: **Aztec Machinery Company, Ivyland, Pa.**

[**] Term: **14 Years**

[21] Appl. No.: **297,710**

[22] Filed: **Aug. 31, 1981**

[52] U.S. Cl. **D7/387; D7/407; D23/34**

[58] Field of Search **D23/1, 34; D7/213, 323, D7/348, 352, 287, 407-412; 99/386, 443 C; 126/21 A; 239/557; 426/243, 466**

[56] **References Cited**

U.S. PATENT DOCUMENTS

D. 220,370 3/1971 Mason D7/407
3,580,164 5/1971 Baker 99/386 X

4,108,139 8/1978 Gilliom et al. 126/21 A
4,154,861 5/1979 Smith 99/386 X
4,338,911 7/1982 Smith 99/386 X
4,377,109 3/1983 Brown et al. 126/21 A

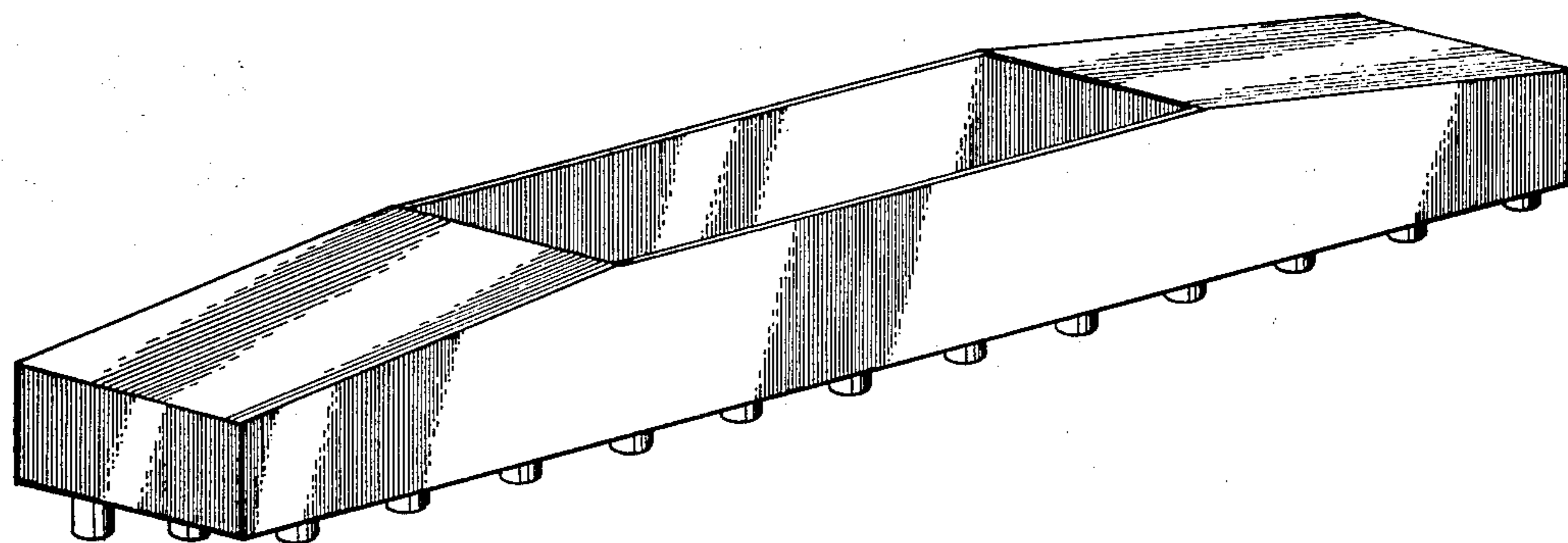
Primary Examiner—James R. Largen
Attorney, Agent, or Firm—Robert J. Mooney

[57] CLAIM

The ornamental design for a nozzle unit for an industrial oven, substantially as shown and described.

DESCRIPTION

FIG. 1 is a perspective view of a nozzle unit for an industrial oven showing my new design;
FIG. 2 is a left side view thereof;
FIG. 3 is a right side view thereof;
FIG. 4 is a bottom plan view thereof;
FIG. 5 is a top plan view thereof;
FIG. 6 is a front elevational view thereof;
FIG. 7 is a rear elevational view thereof.



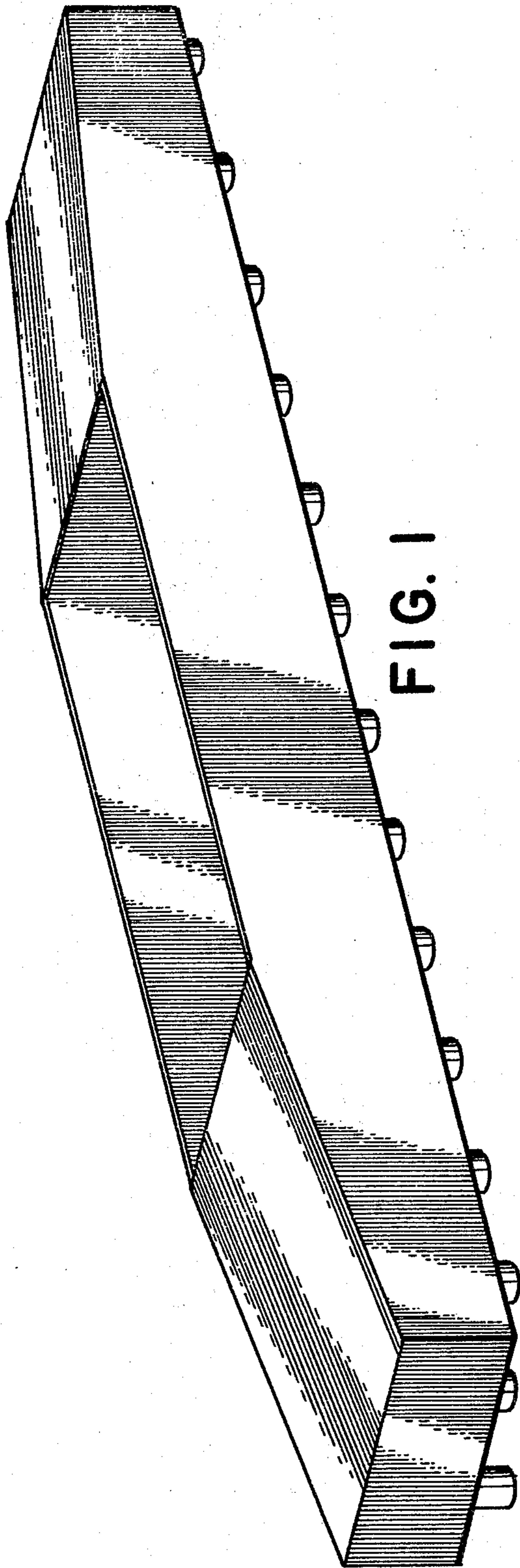


FIG. 1

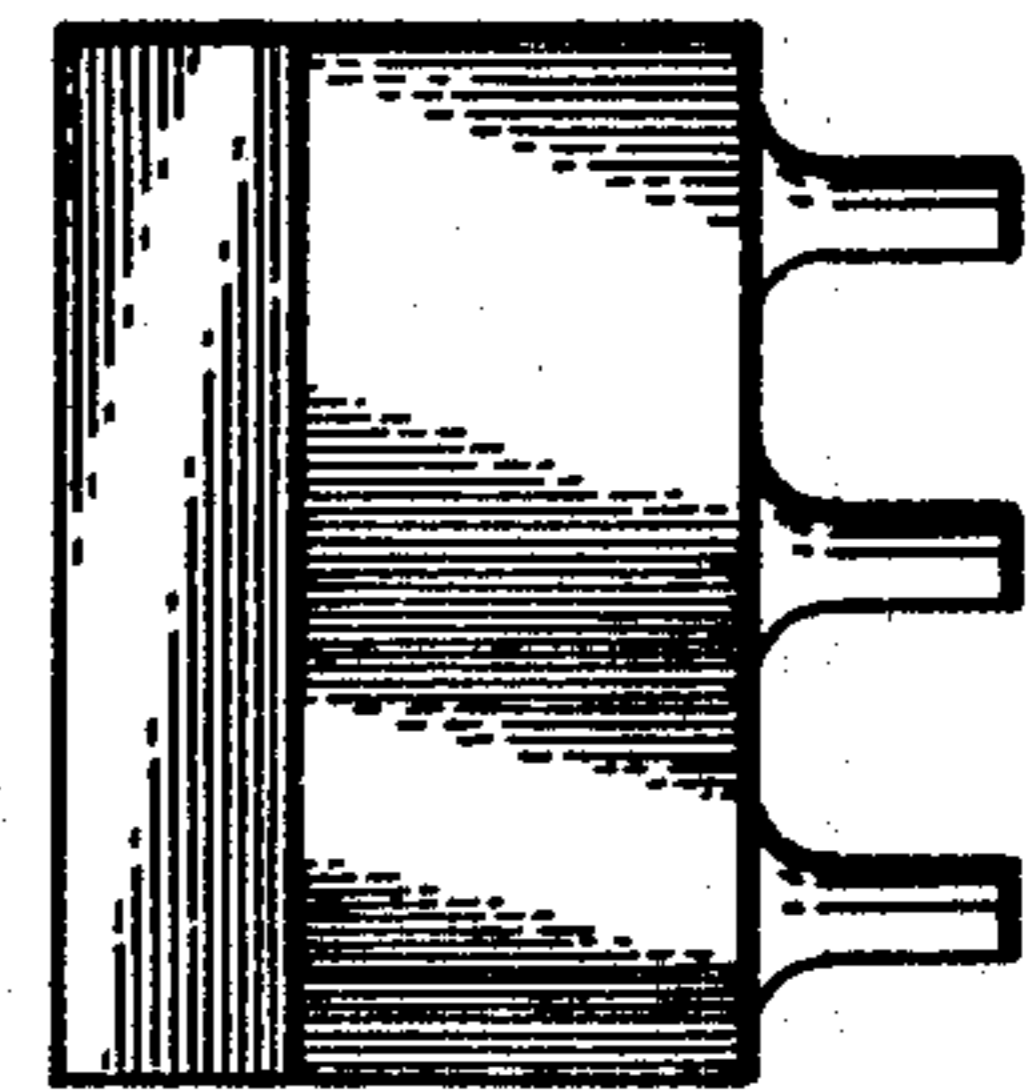


FIG. 3

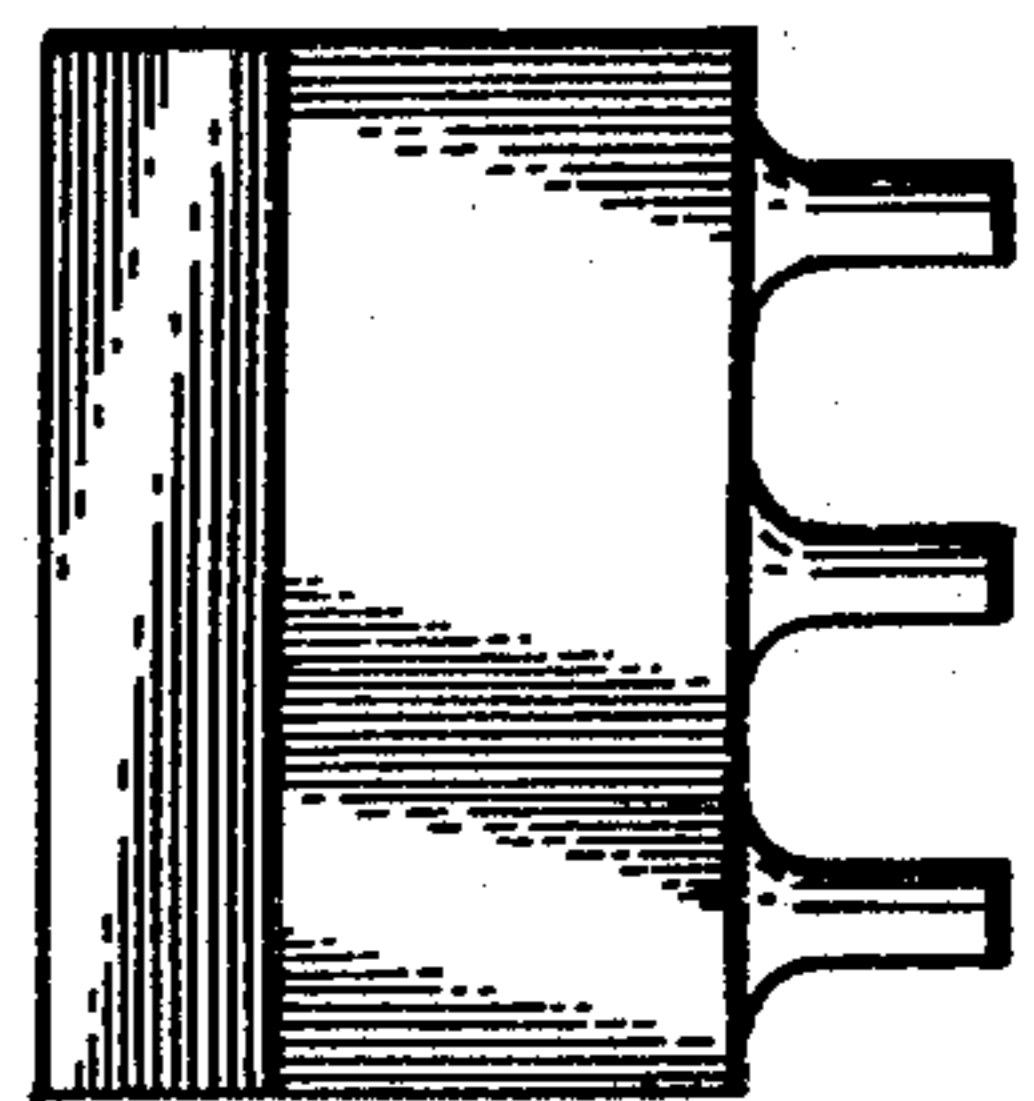


FIG. 2

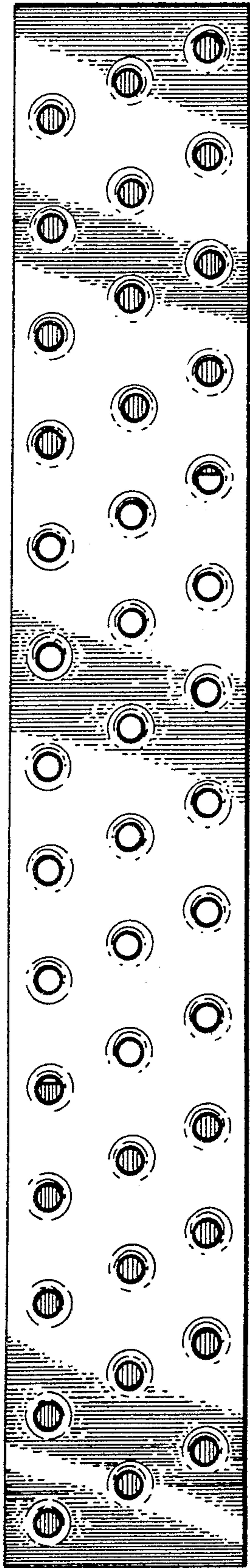


FIG. 4

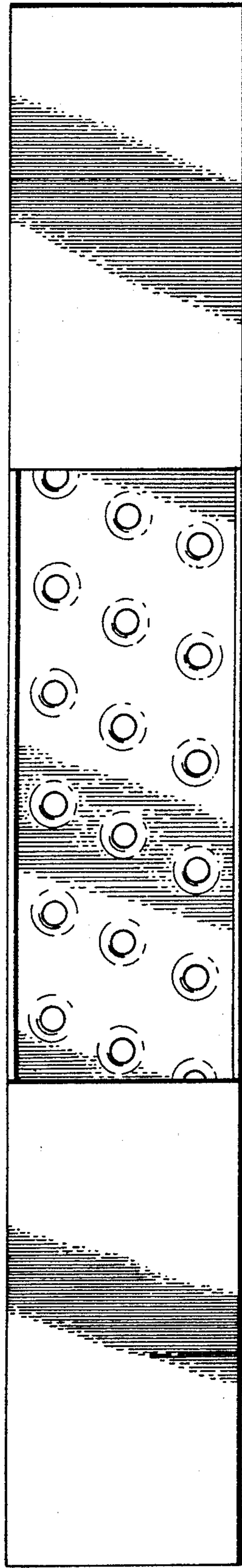


FIG. 5

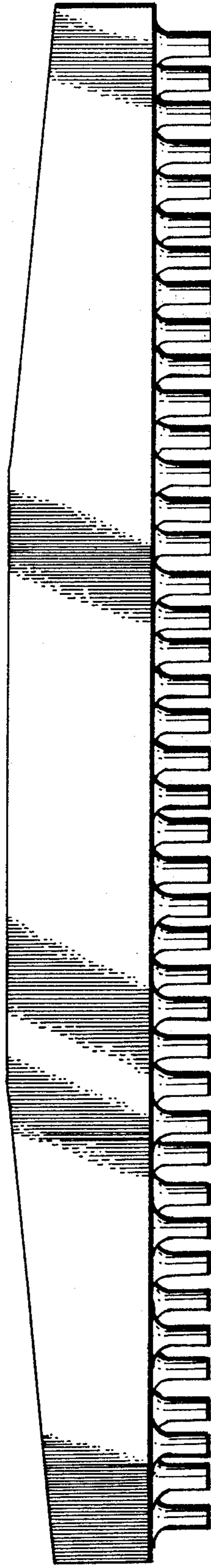


FIG. 6

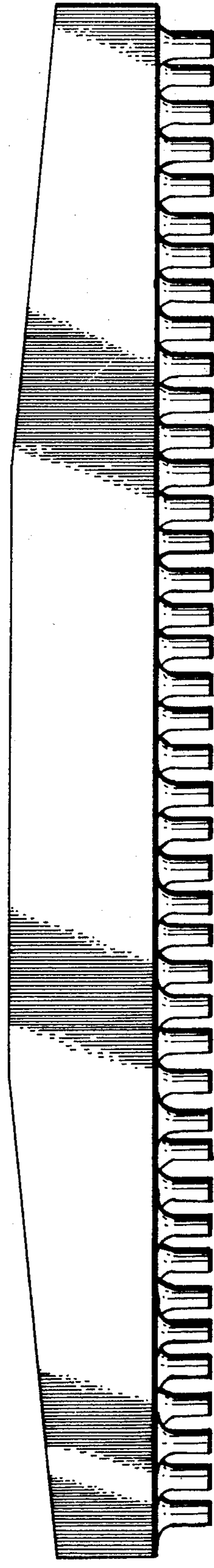


FIG. 7