

# United States Patent [19]

Lander

[11] Patent Number: **Des. 275,246**

[45] Date of Patent: **\*\* Aug. 28, 1984**

[54] **DISPENSER FOR ROLLED PAPER**

[75] Inventor: **Lars Lander, Zug, Switzerland**

[73] Assignee: **Molnlycke AB, Gothenburg, Sweden**

[\*\*] Term: **14 Years**

[21] Appl. No.: **435,359**

[22] Filed: **Oct. 20, 1982**

[30] **Foreign Application Priority Data**

Jul. 27, 1982 [FR] France ..... 822592

[52] U.S. Cl. .... **D6/521; D6/523**

[58] Field of Search ..... D6/86, 96, 97; 312/37,  
312/38, 39, 41; 206/397, 409, 394; 242/552,  
55.3, 55.92, 55.54, 55.53

[56] **References Cited**

### U.S. PATENT DOCUMENTS

D. 248,604	4/1978	Lander	.....	D6/97
D. 267,684	1/1983	Lander	.....	D6/97
D. 415,423	11/1889	Smith	.....	242/55.53
4,069,958	1/1978	Strauss	.....	242/55.53

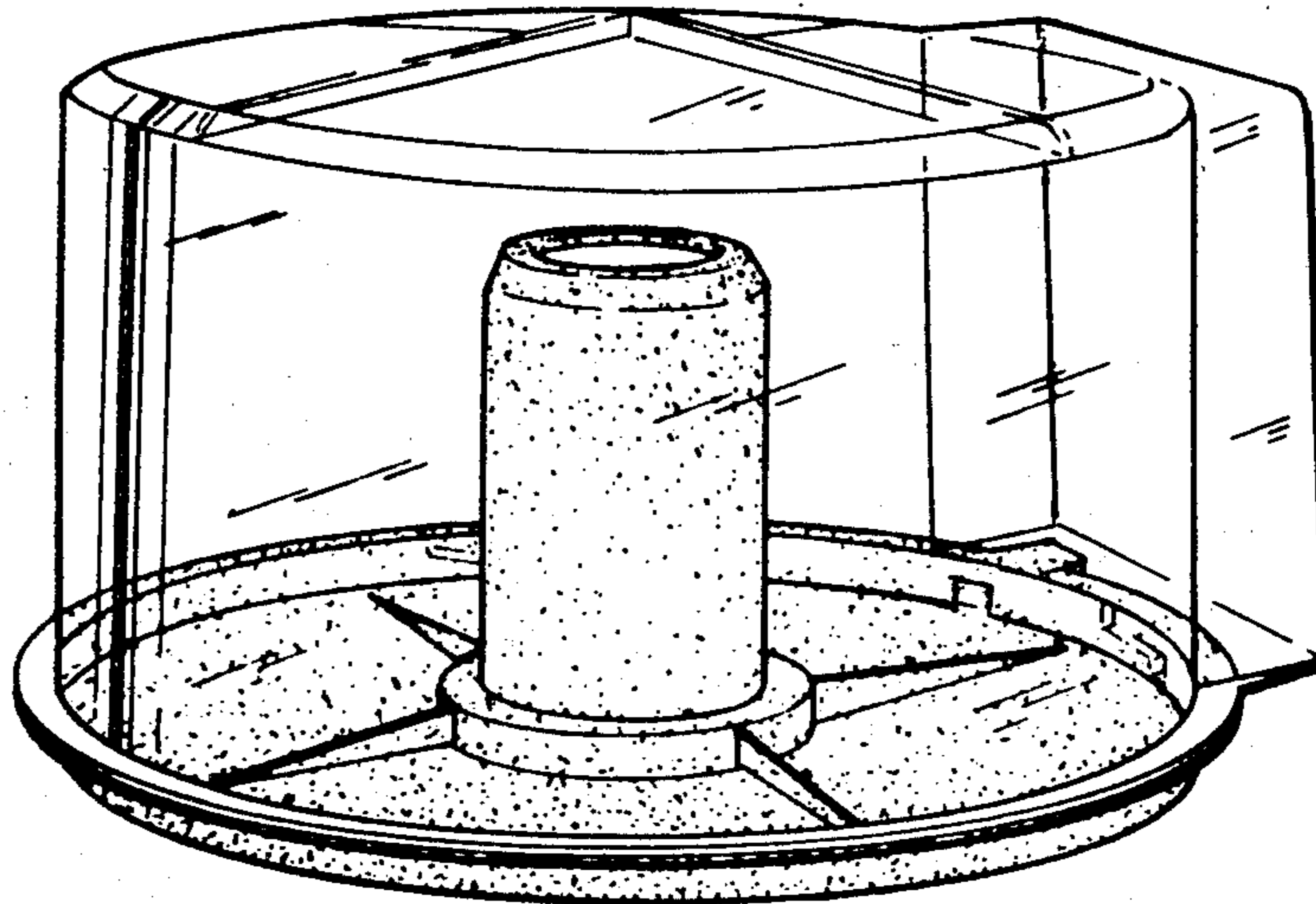
*Primary Examiner*—Wallace R. Burke  
*Assistant Examiner*—Suzanne N. Gitlin  
*Attorney, Agent, or Firm*—Young & Thompson

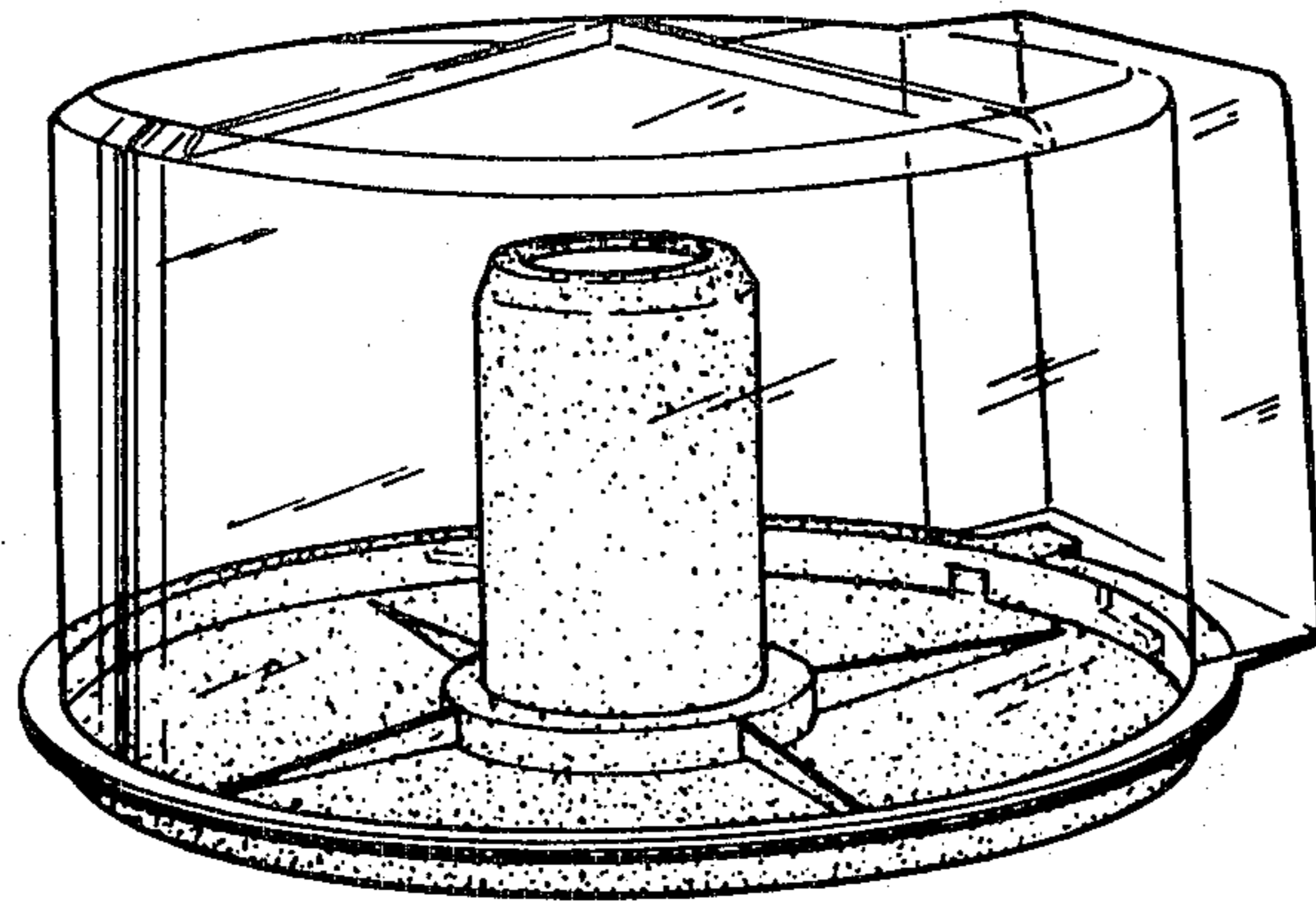
[57] **CLAIM**

The ornamental design for a dispenser for rolled paper, as shown.

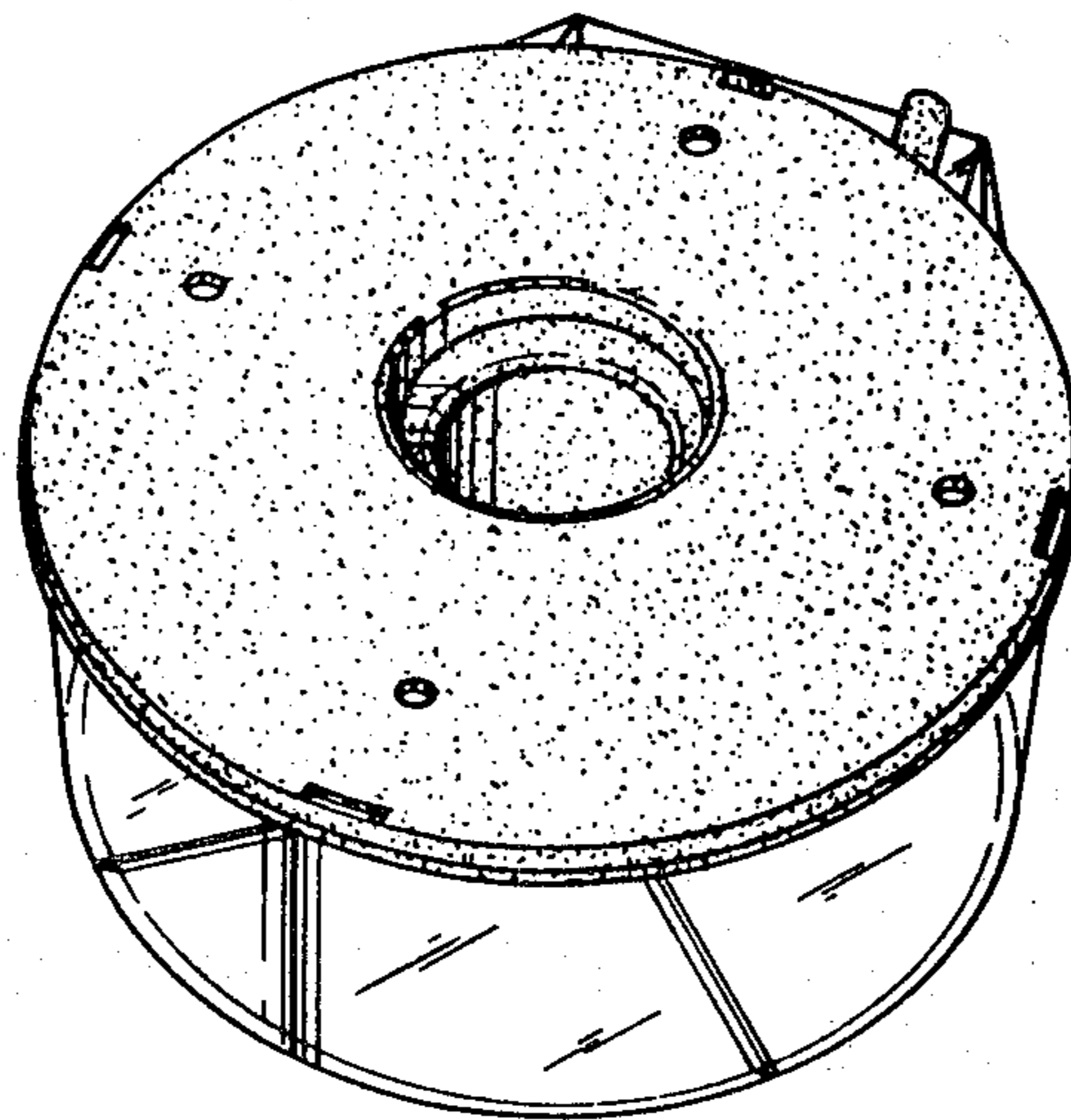
### DESCRIPTION

FIG. 1 is a top perspective view of a dispenser for rolled paper showing my new design; and FIG. 2 is a bottom perspective view thereof.





*Fig. 1*



*Fig. 2*