

[54] WATERING TROUGH FOR ANIMALS

[76] Inventor: Richard E. Bunger, 5202 E. Washington St., Phoenix, Ariz. 85034

[**] Term: 14 Years

[21] Appl. No.: 362,078

[22] Filed: Mar. 26, 1982

[52] U.S. Cl. D30/13

[58] Field of Search D30/13-18; 119/61, 75, 78-80

[56] References Cited

U.S. PATENT DOCUMENTS

- D. 219,277 11/1970 Benjamin D30/1
- D. 236,511 8/1975 Bunger D30/13

- 2,570,694 10/1951 Langenbahn 119/78
- 3,841,268 10/1974 Bunger 119/61 X
- 3,921,587 11/1975 Schnee 119/78
- 3,948,221 4/1976 Wiuniski 119/78
- 4,070,991 1/1978 Schmiesing 119/61 X

Primary Examiner—James R. Largen
Attorney, Agent, or Firm—Warren F. B. Lindsley

[57] CLAIM

The ornamental design for a watering trough for animals, as shown and described.

DESCRIPTION

FIG. 1 is a perspective view taken from the top, one side and one end of a watering trough for animals showing my new design; and FIG. 2 is a perspective view taken from the bottom and the side and end opposite that shown in FIG. 1.

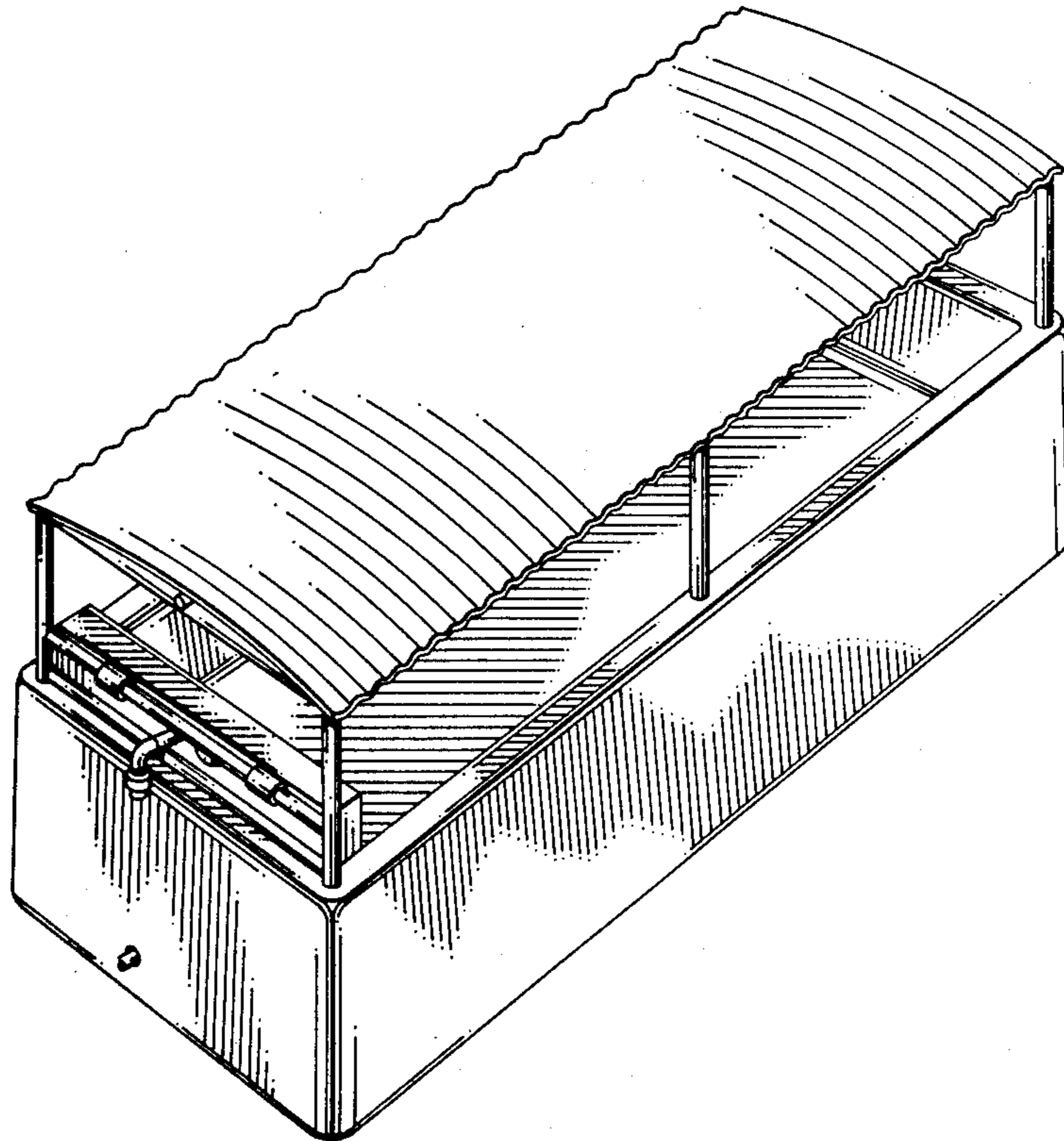


FIG. 1

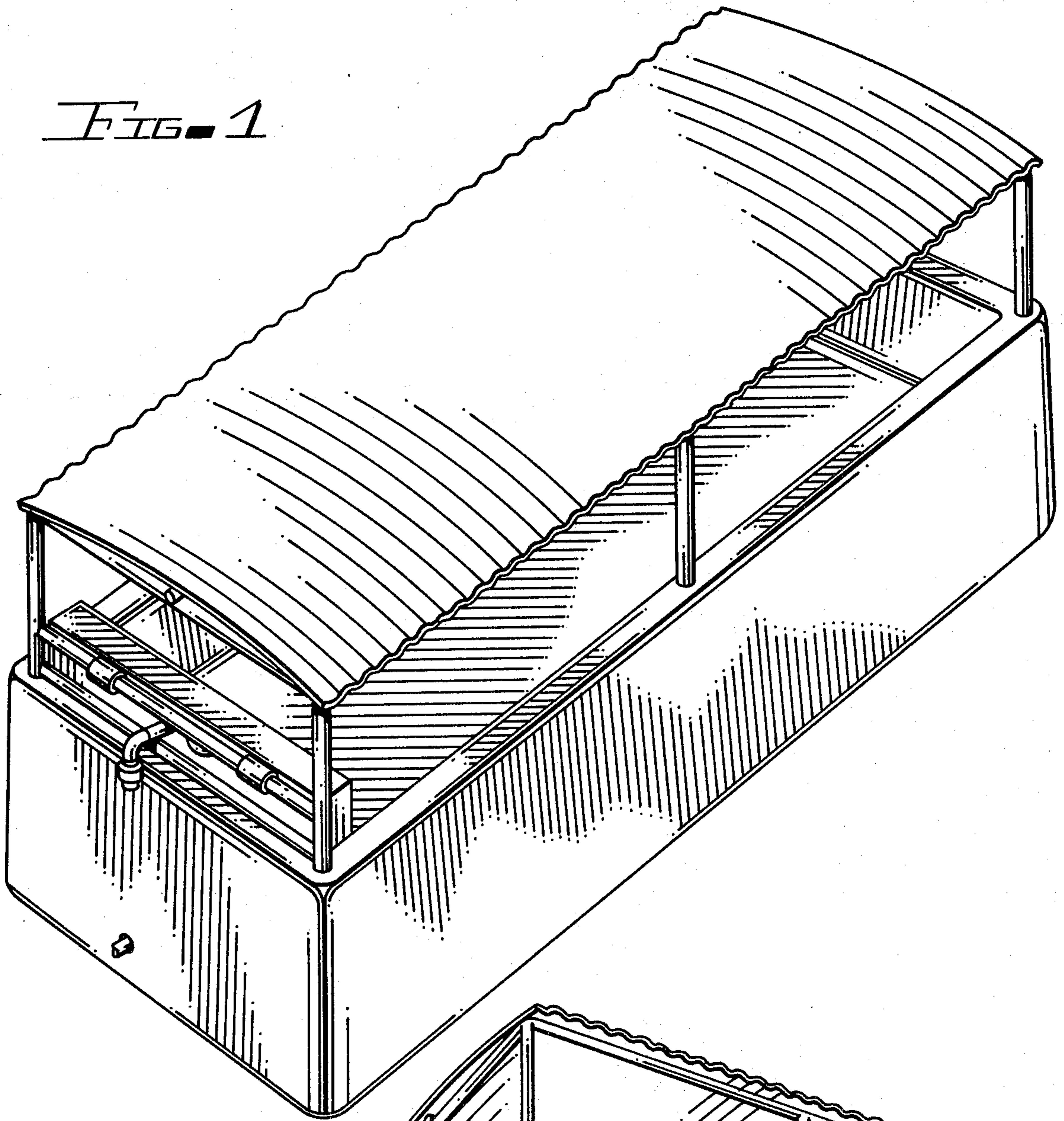


FIG. 2

