

[54] TREE CLIMBER SEAT OR THE LIKE

4,148,376 4/1979 Campbell, Jr. 182/187 X
4,331,216 5/1982 Amacker 182/187 X

[75] Inventors: Alvin E. Warren; George B. Sweat,
both of Jacksonville, Fla.

Primary Examiner—A. Hugo Word
Attorney, Agent, or Firm—Arthur G. Yeager

[73] Assignee: Warren & Sweat Manufacturing
Company, Grand Island, Fla.

[57] CLAIM

[**] Term: 14 Years

The ornamental design for a tree climber seat or the
like, substantially as shown and described.

[21] Appl. No.: 379,123

DESCRIPTION

[22] Filed: May 17, 1982

[52] U.S. Cl. D25/62

[58] Field of Search D25/62; 182/187, 134,
182/135

FIG. 1 is a top plan view of a tree climber seat or the
like showing our new design, in a fully open and opera-
tive position, the seat and bottom being of wood mate-
rial;

[56] References Cited

FIG. 2 is a front elevational view thereof;

U.S. PATENT DOCUMENTS

FIG. 3 is a bottom plan view thereof;

D. 270,951 10/1983 Cryar D25/62

FIG. 4 is a left side elevational view thereof; and

FIG. 5 is a right side elevational view thereof.

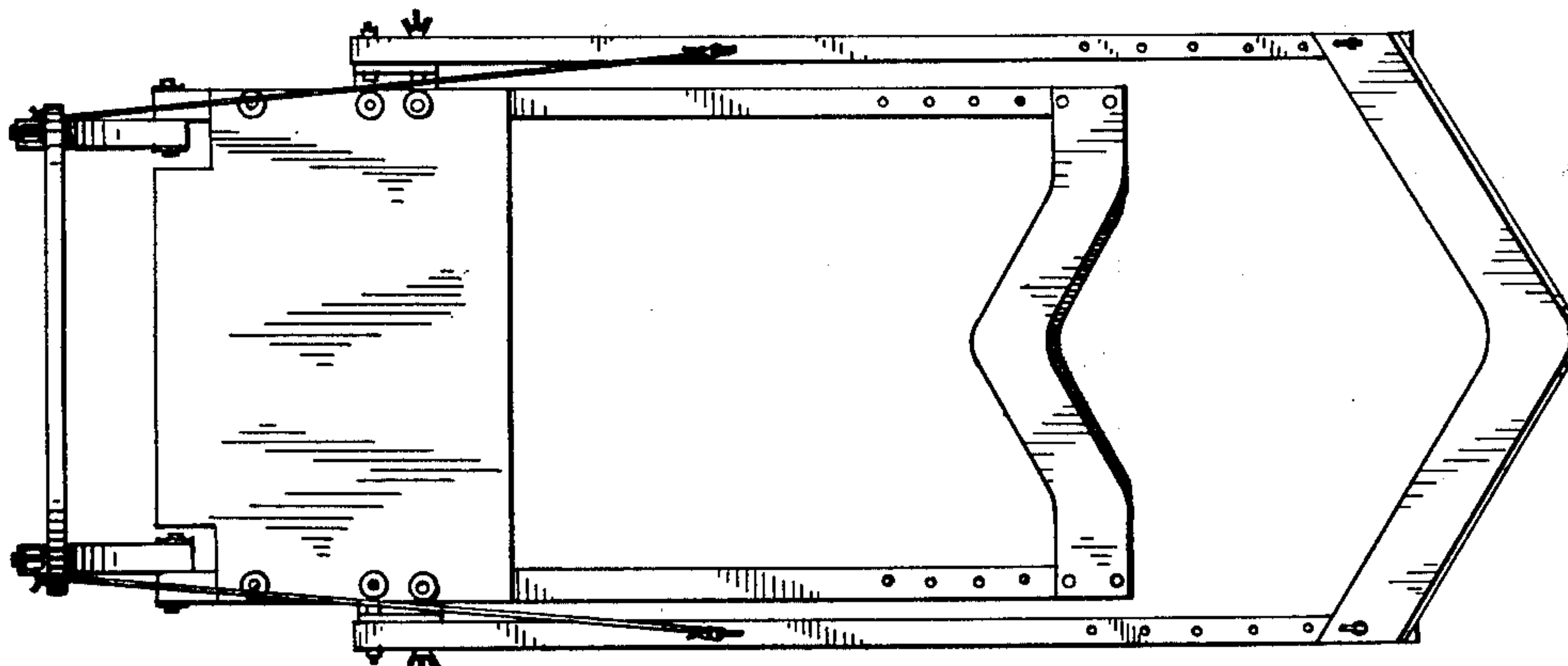


FIG. 1

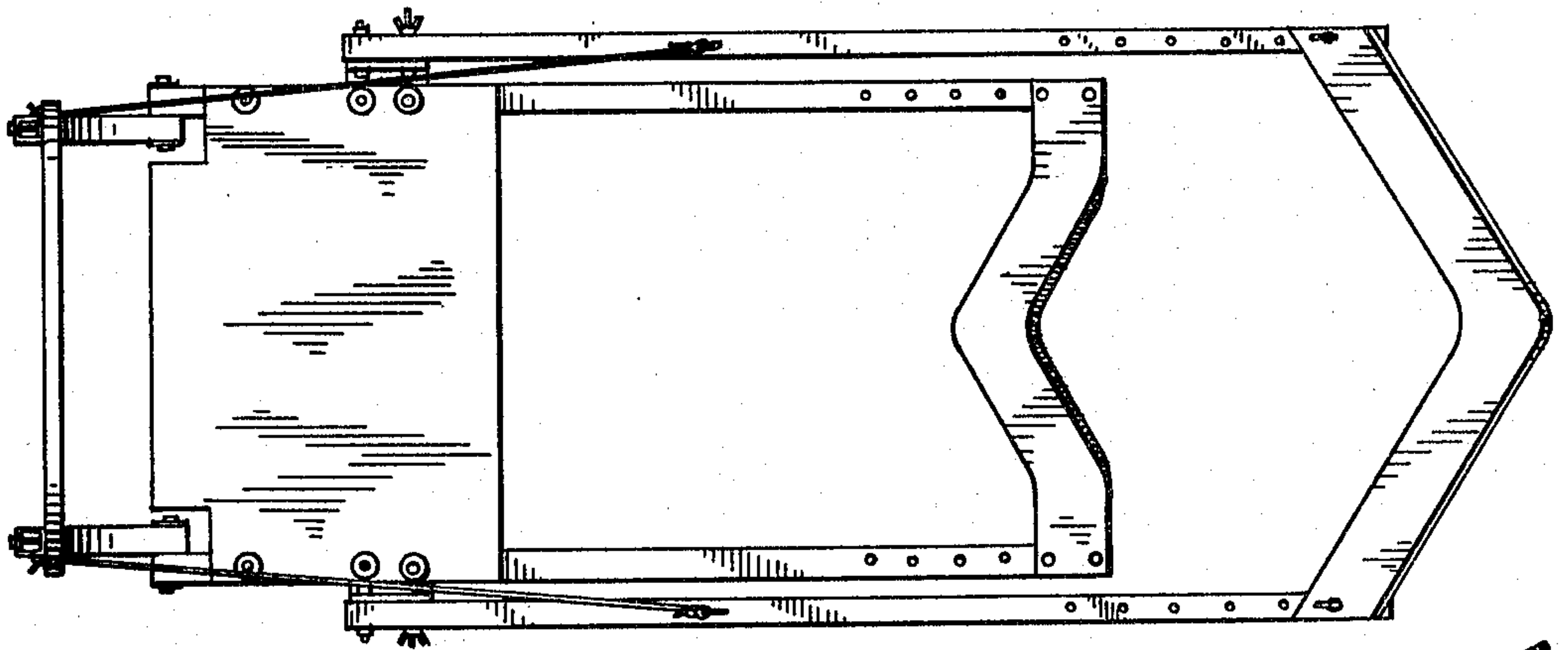


FIG. 2

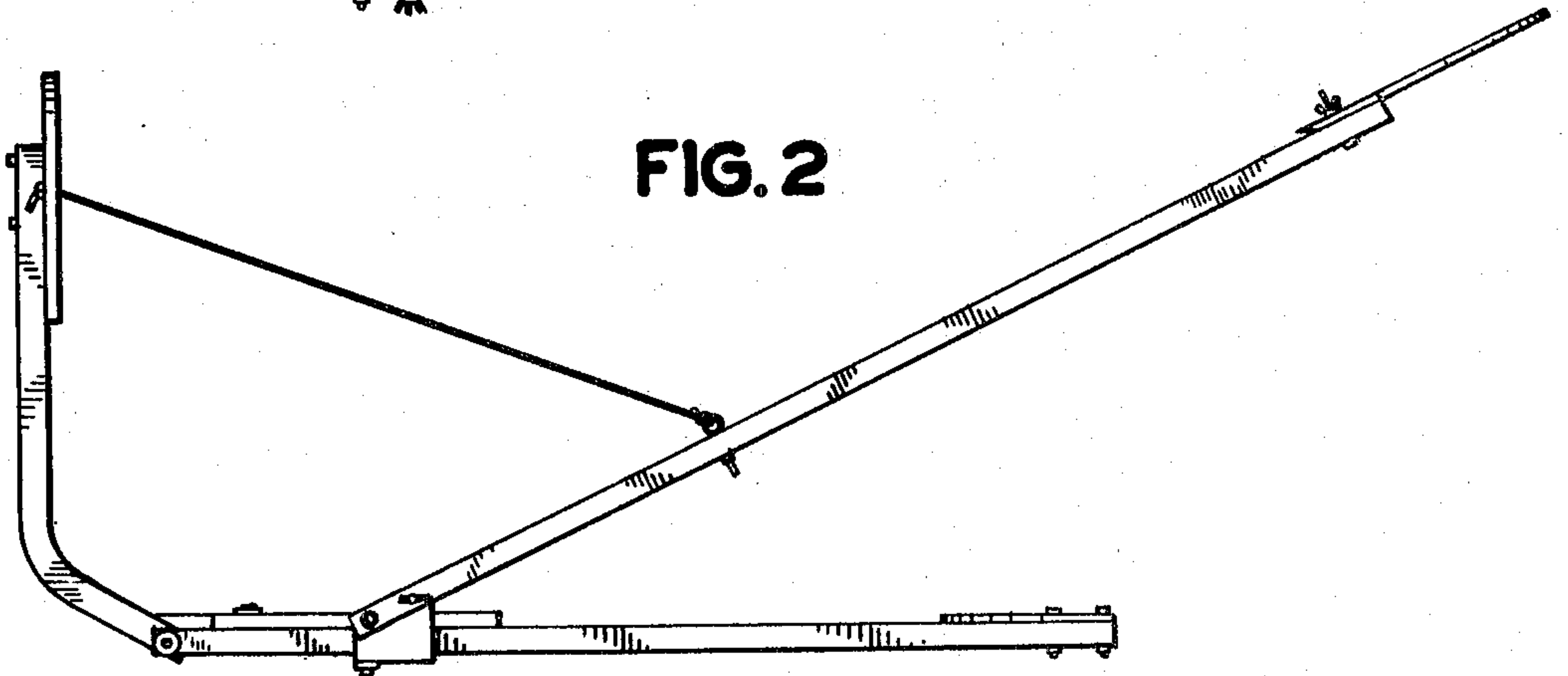


FIG. 3

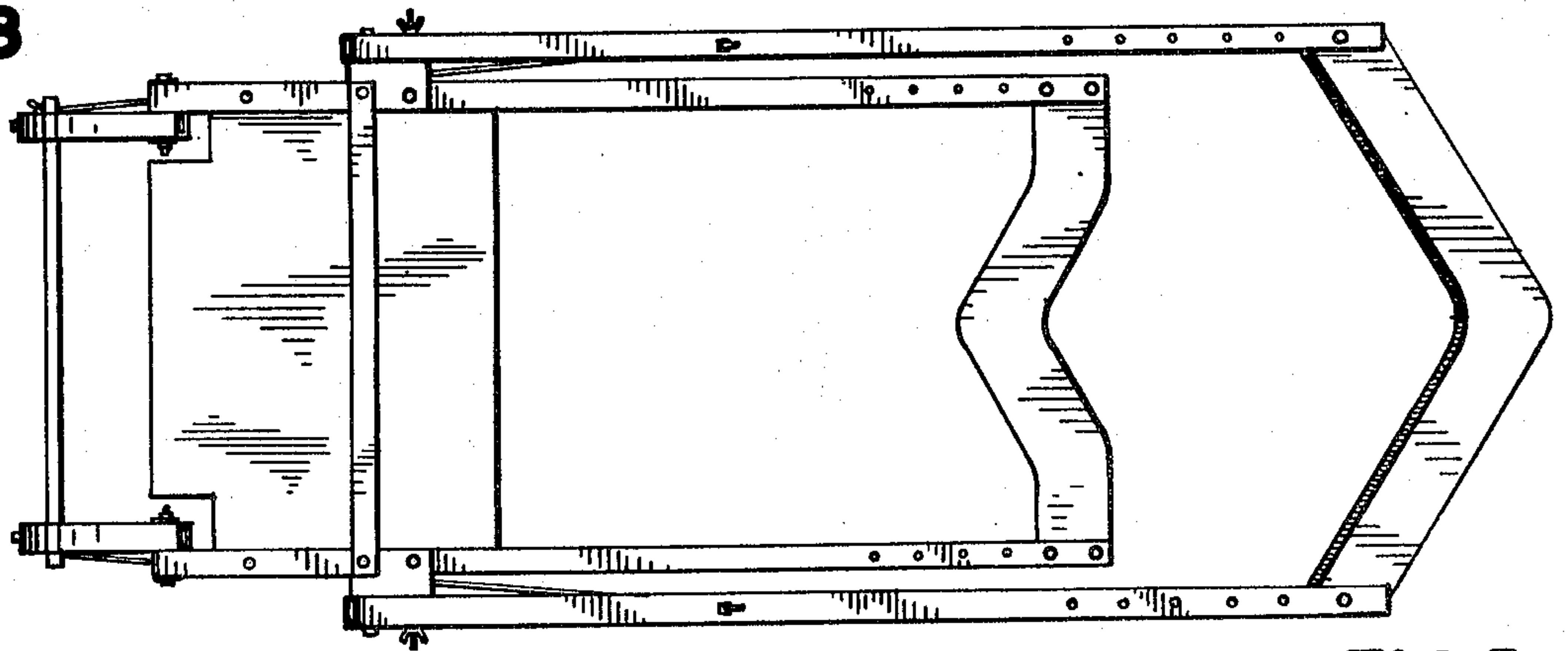


FIG. 4

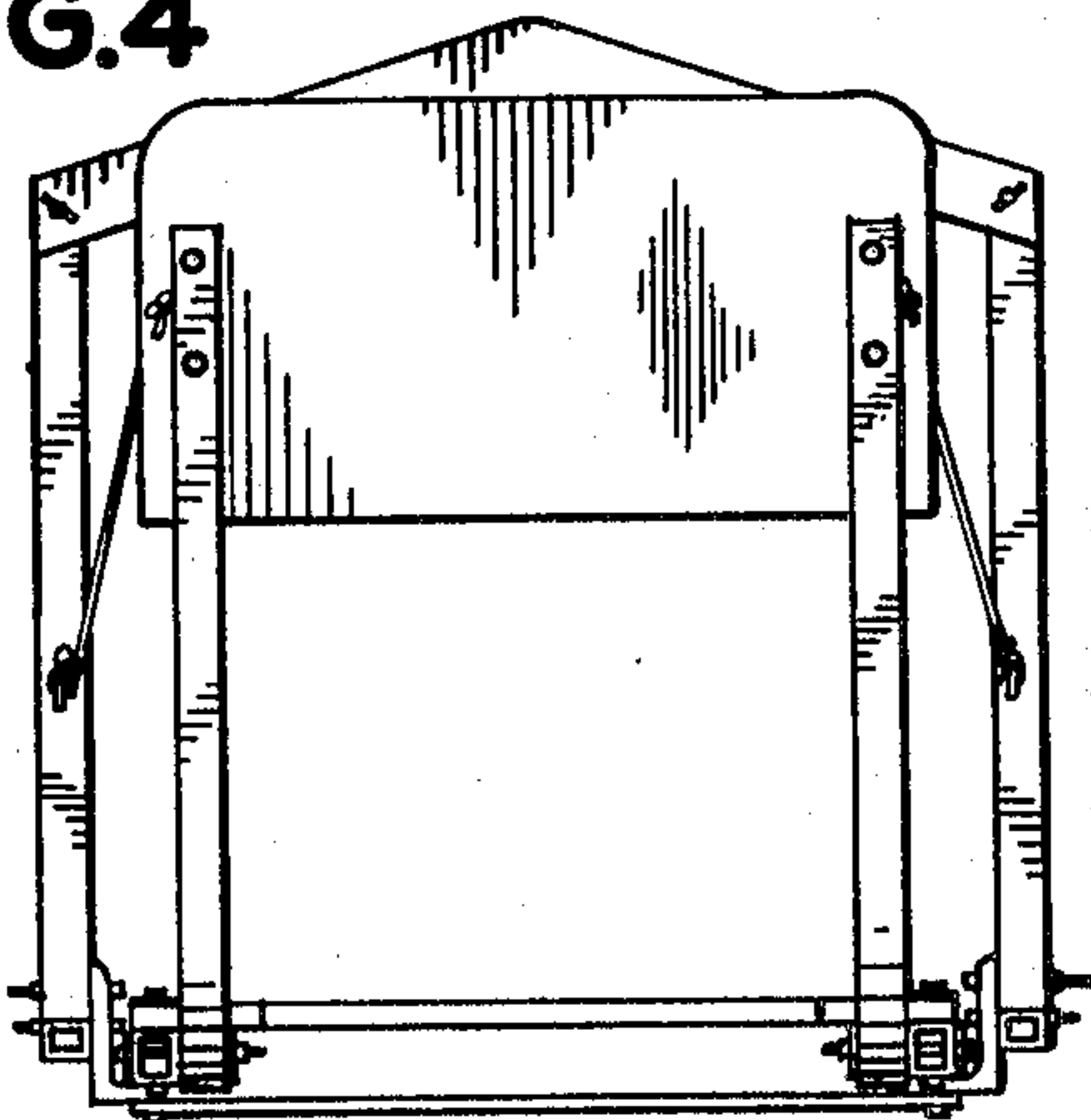


FIG. 5

