

[54] MANIFOLD FOR A MEDICAL MONITORING UNIT

[75] Inventor: William A. DeVroom, Glendora, Calif.

[73] Assignee: American Hospital Supply Corporation, Evanston, Ill.

[**] Term: 14 Years

[21] Appl. No.: 297,653

[22] Filed: Aug. 31, 1981

[52] U.S. Cl. D24/53; D23/40

[58] Field of Search D23/40; D24/53, 54, D24/99; 128/673, 748, 76; 137/883, 884; 604/248, 250

[56] References Cited

U.S. PATENT DOCUMENTS

D. 213,317	2/1969	Nelson	D23/40
D. 241,756	10/1976	Gray	D23/40
D. 257,384	10/1980	Hetherington et al.	D23/40
D. 263,871	4/1982	Matsoura	D24/53
D. 264,131	4/1982	Matsoura	D24/53
D. 271,421	11/1983	Fetterman	D24/53
2,954,028	9/1960	Smith	604/250 X
3,122,136	2/1964	Murphy, Jr.	128/673
3,154,102	10/1964	Harris	137/883
3,477,469	11/1969	Paley	137/883

3,610,228	10/1971	Temkin	128/748
3,678,960	7/1972	Leibinsohn	604/248 X
3,834,372	9/1974	Turney	128/760 X
4,177,835	12/1979	Paley	137/883
4,267,835	5/1981	Barger et al.	604/250
4,300,572	11/1981	Knighton	604/248 X
4,342,218	8/1982	Fox	128/673 X

FOREIGN PATENT DOCUMENTS

2357489 5/1974 Fed. Rep. of Germany 128/674

OTHER PUBLICATIONS

Wilkins et al., Arterial Pressure Waveform Recording: A Clinical System, vol. 7, No. 7, 8-1972, pp. 309-312.

Primary Examiner—James R. Largen
Attorney, Agent, or Firm—Roger A. Williams

[57] CLAIM

The ornamental design for a manifold for a medical monitoring unit, as shown.

DESCRIPTION

FIG. 1 is a front elevational view of a manifold for a medical monitoring unit showing my new design; FIG. 2 is a right side elevational view thereof; FIG. 3 is a bottom plan view thereof; FIG. 4 is a rear elevational view thereof; FIG. 5 is a left side elevational view thereof; and FIG. 6 is a top plan view thereof.

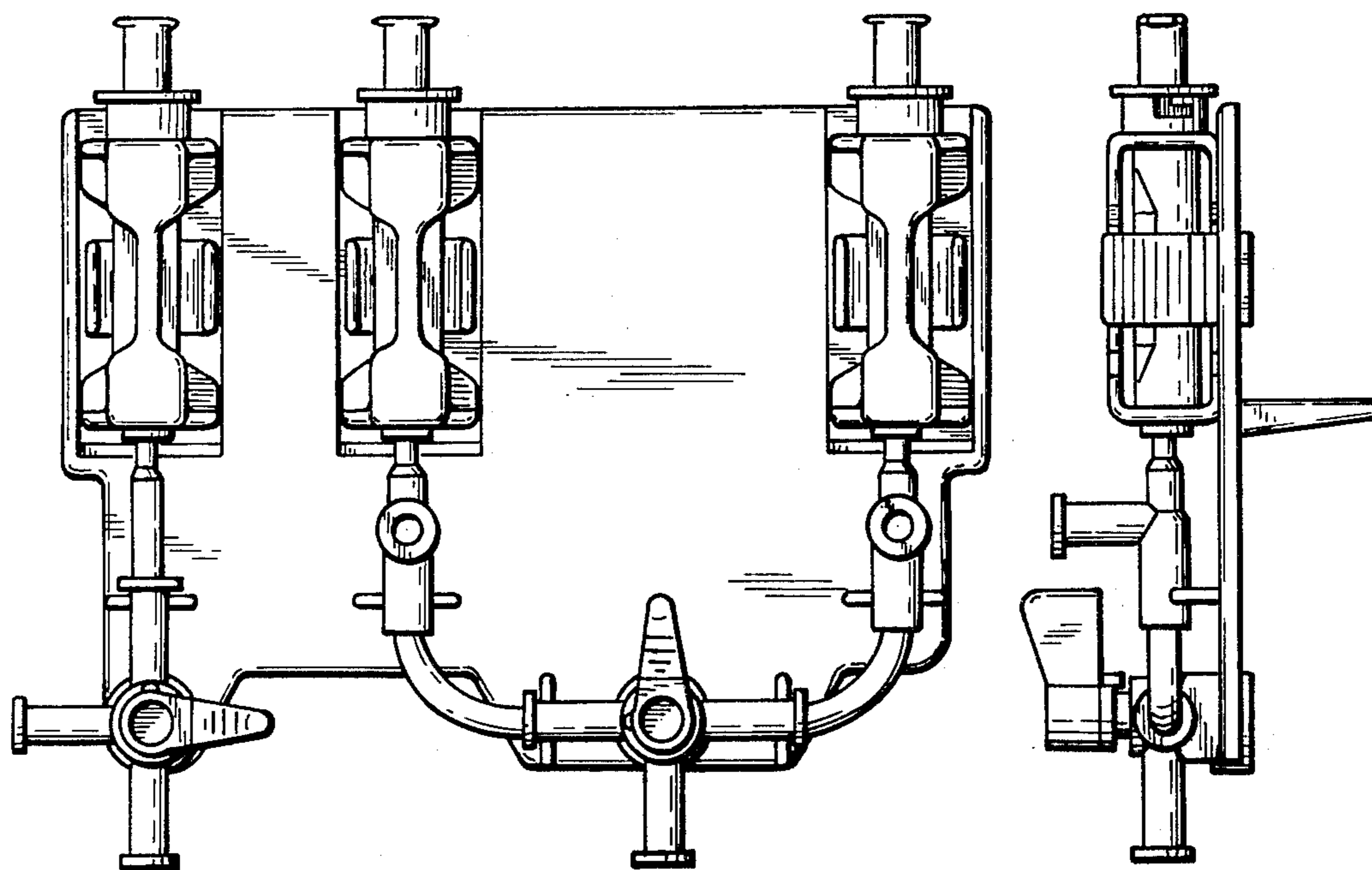


FIG. 1

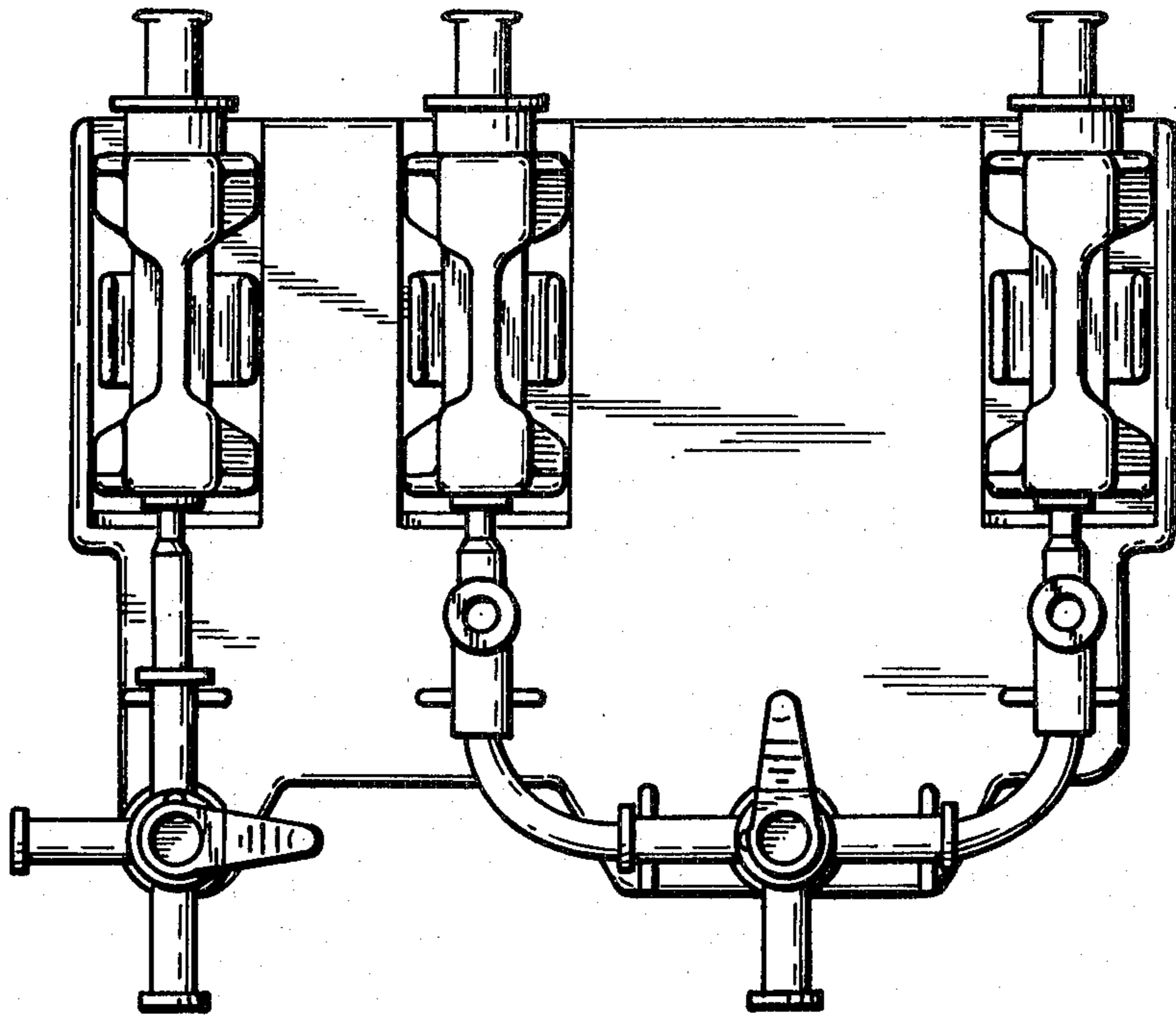


FIG. 2

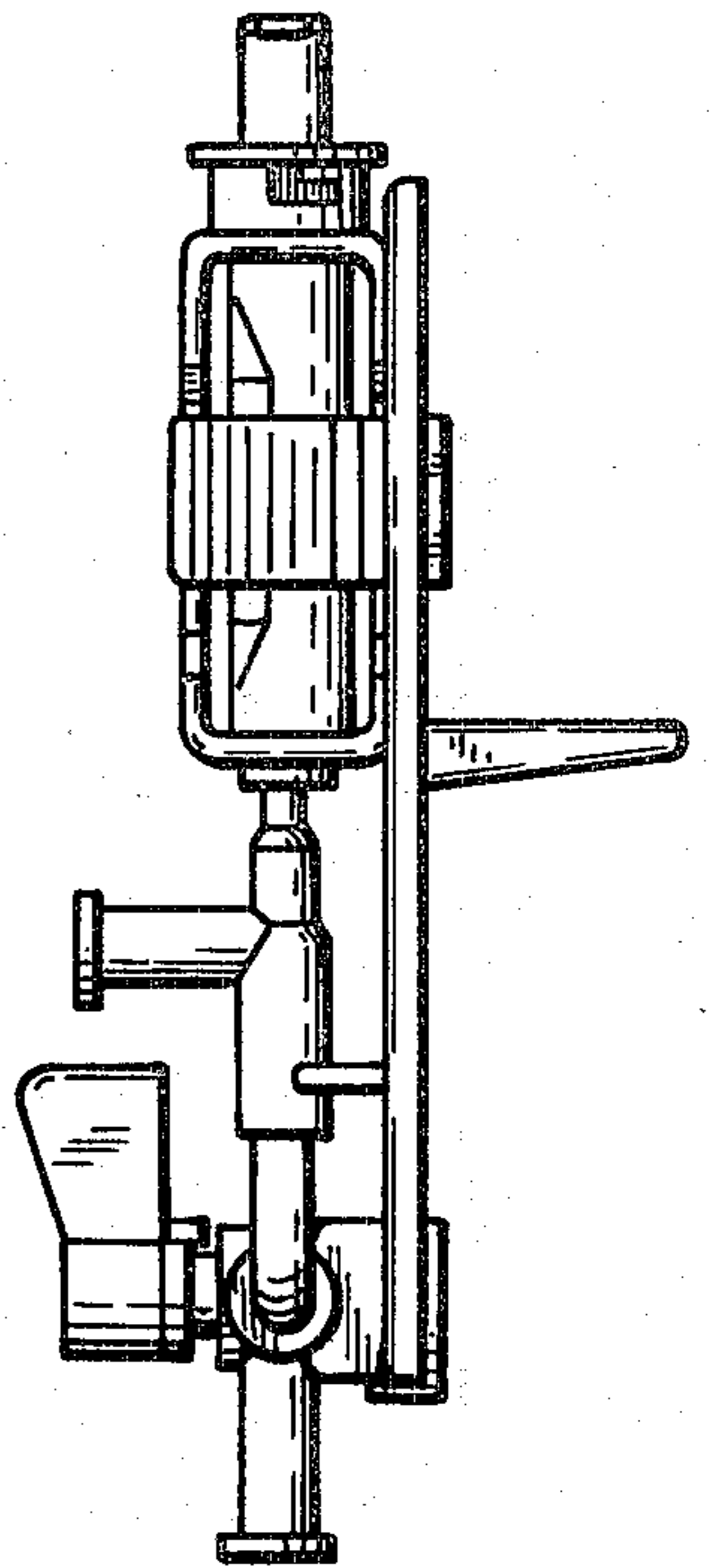


FIG. 3

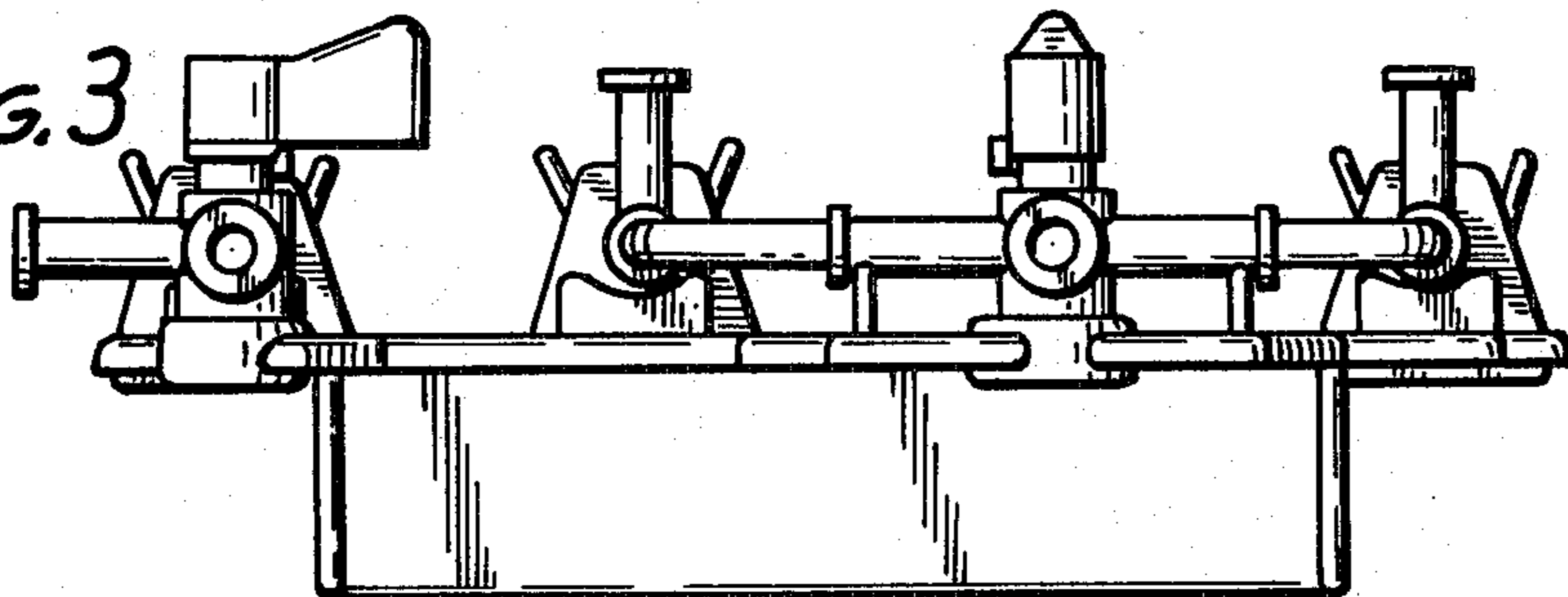


FIG. 4

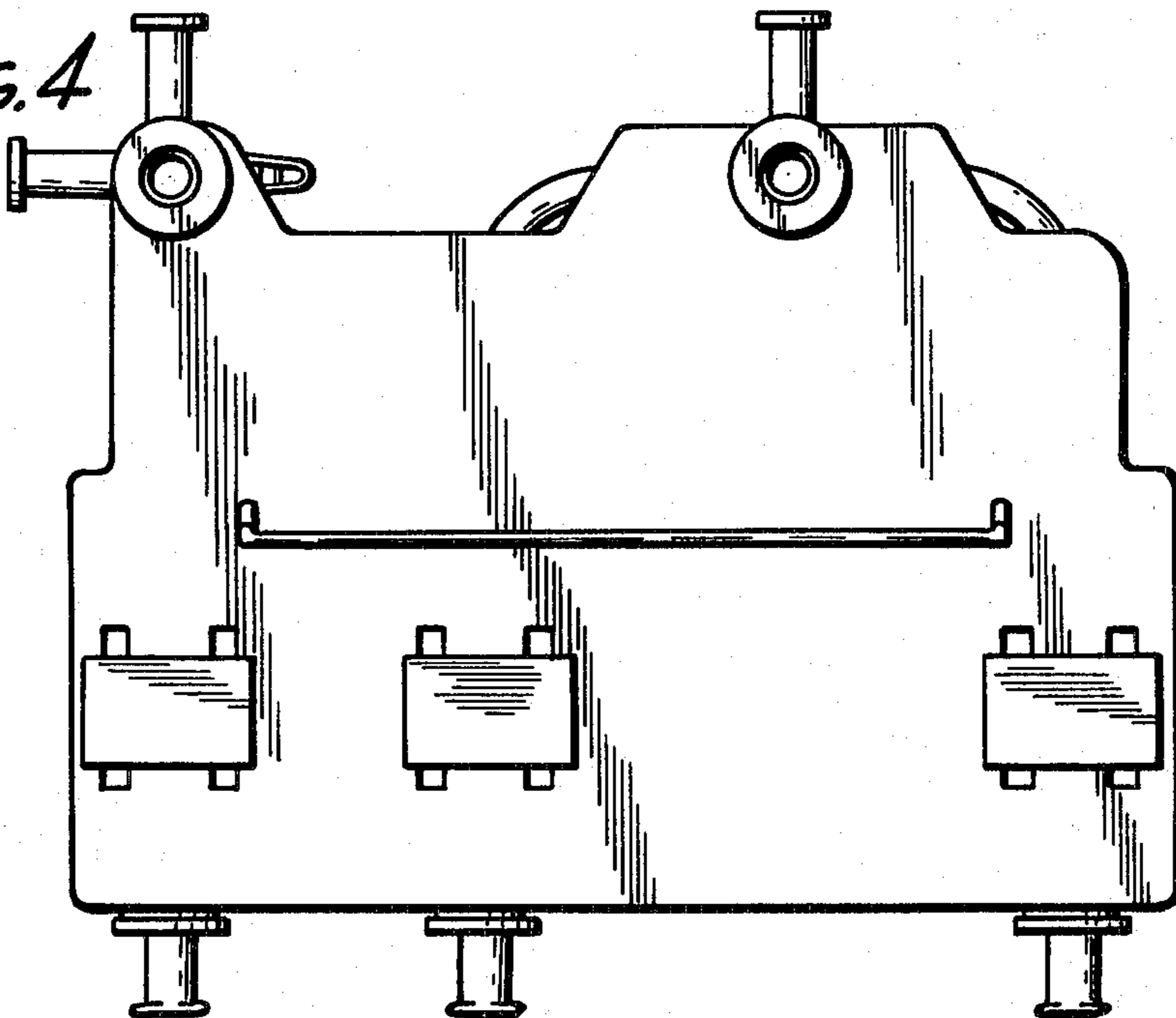


FIG. 5

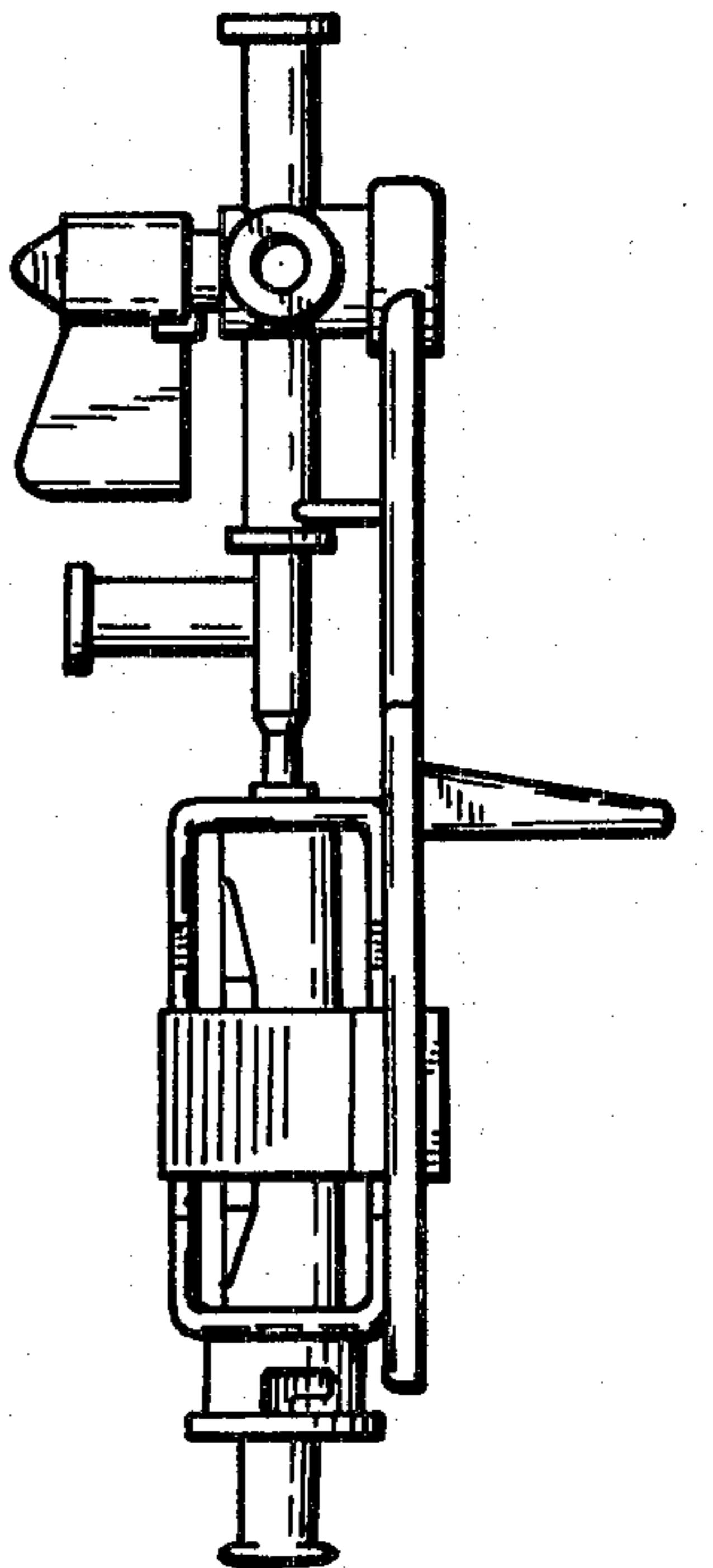


FIG. 4

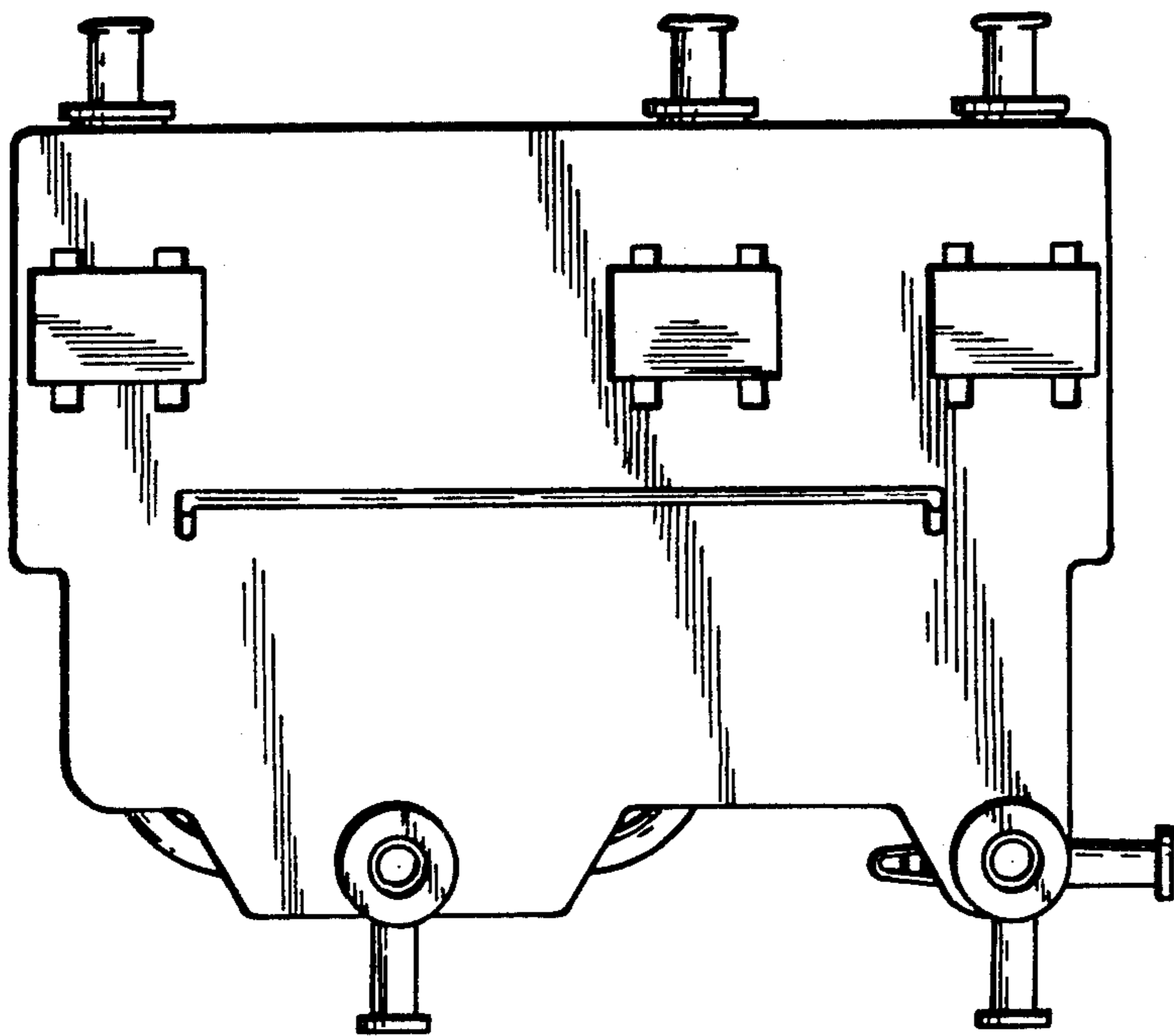


FIG. 5

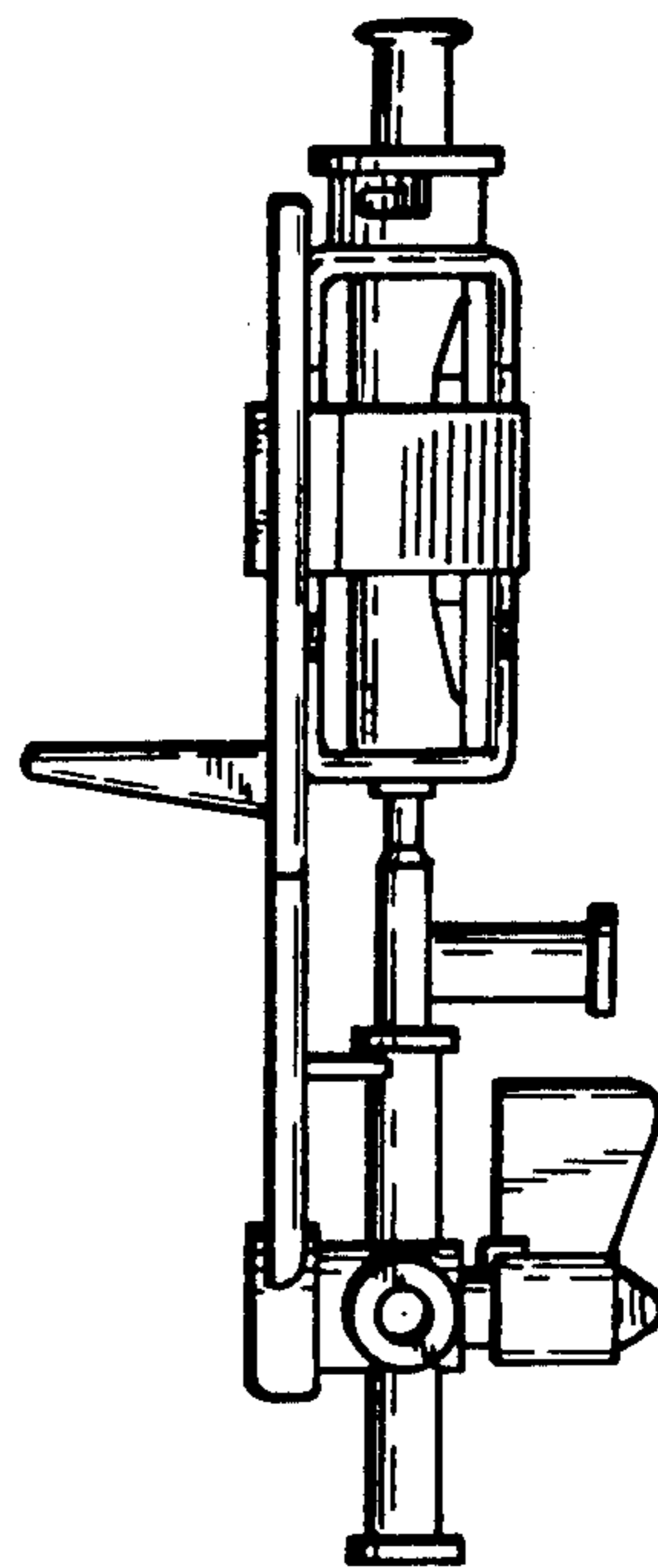


FIG. 6

