

[54] ENDOSCOPE HEATER

[75] Inventor: Shinichi Nishigaki, Hachioji, Japan

[73] Assignee: Olympus Optical Co., Ltd., Tokyo, Japan

[**] Term: 14 Years

[21] Appl. No.: 329,113

[22] Filed: Dec. 9, 1981

[30] Foreign Application Priority Data

Jun. 11, 1981 [JP] Japan 56/25647

[52] U.S. Cl. D24/17; D24/32; D23/77

[58] Field of Search 219/385, 328, 433, 512, 219/415, 417; 211/74; D24/32, 55, 17, 99, 18; D23/77

[56] References Cited

U.S. PATENT DOCUMENTS

D. 195,027 4/1963 Gulotta et al. D24/32
D. 213,913 4/1969 Berkl et al. D23/77 X

D. 269,457 6/1983 Ishiwara D24/17 X
3,109,084 10/1963 Walsh 219/385
3,244,010 4/1966 Martin 219/385 X
3,536,891 10/1970 Lee et al. 219/385
3,949,190 4/1976 Landry 219/385

Primary Examiner—Bernard Ansher
Attorney, Agent, or Firm—Armstrong, Nikaido,
Marmelstein & Kubovcik

[57] CLAIM

The ornamental design for endoscope heater, as shown and described.

DESCRIPTION

FIG. 1 is a top, front, right side perspective view of an endoscope heater showing my new design; FIG. 2 is a top, rear, left side perspective view thereof; FIG. 3 is a bottom, front, right side view thereof; FIG. 4 is a front view thereof; FIG. 5 is a rear view thereof; FIG. 6 is a top view thereof; FIG. 7 is a bottom view thereof; FIG. 8 is a right side view thereof; and FIG. 9 is a left side view thereof.

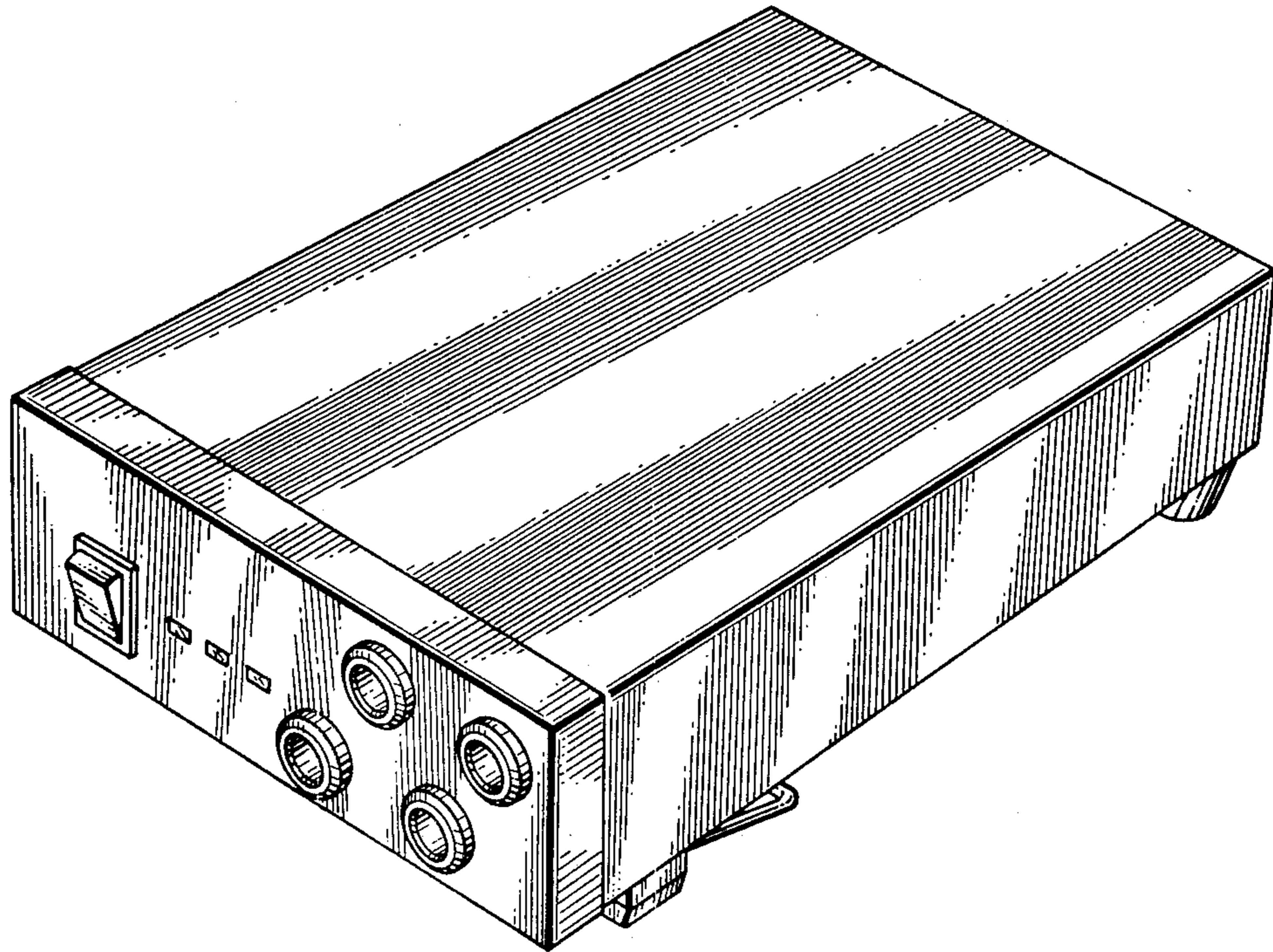


FIG.1

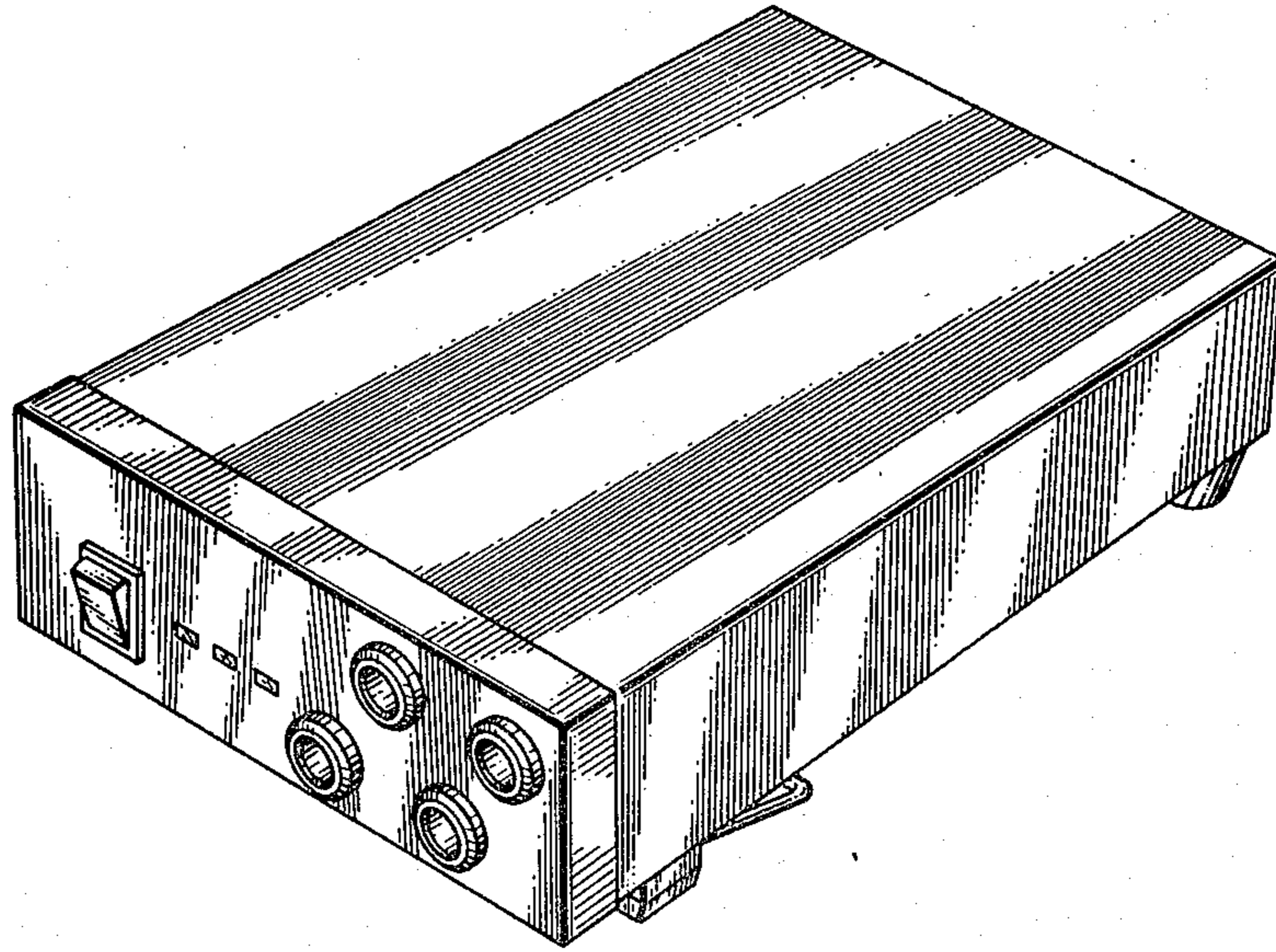


FIG.2

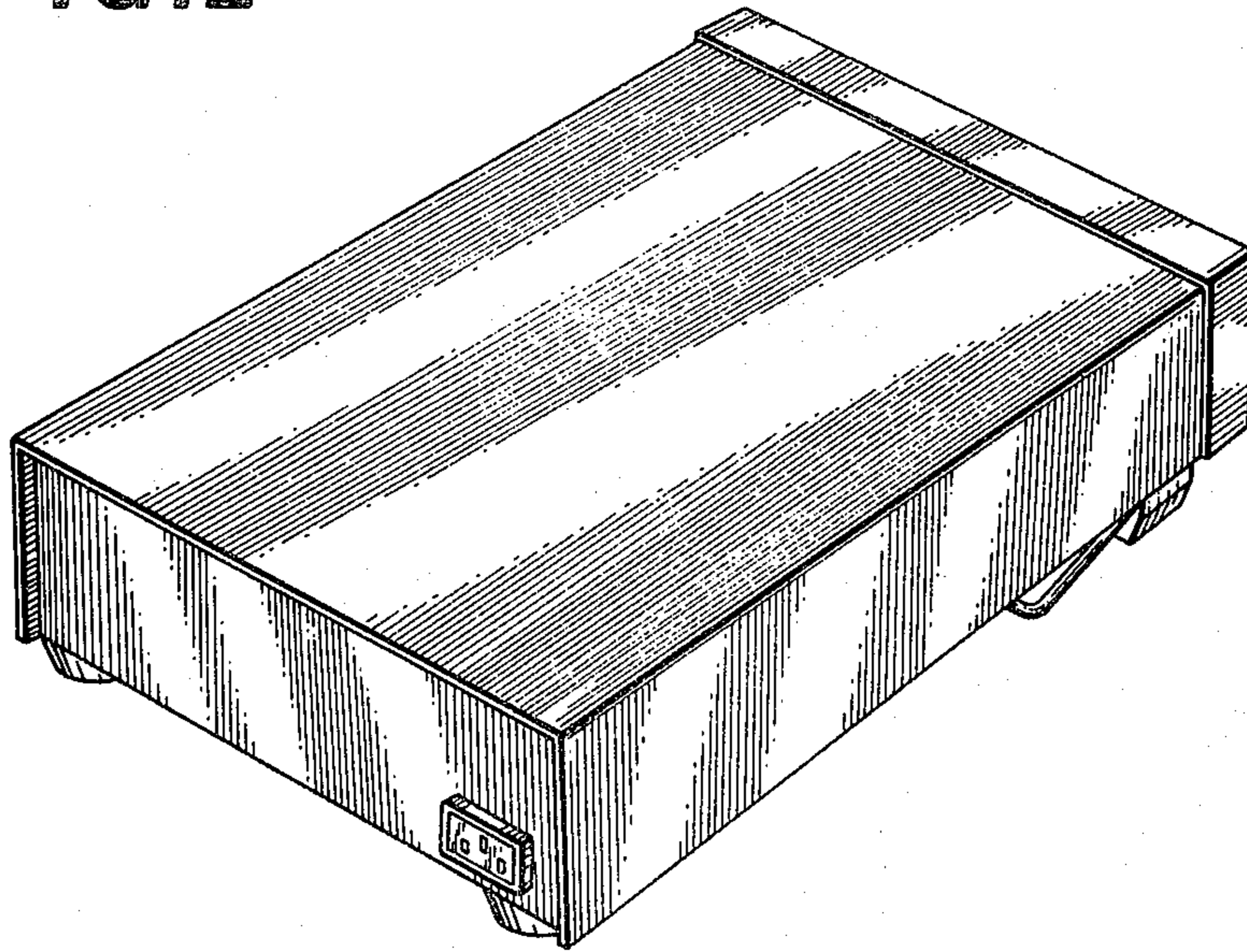


FIG. 3

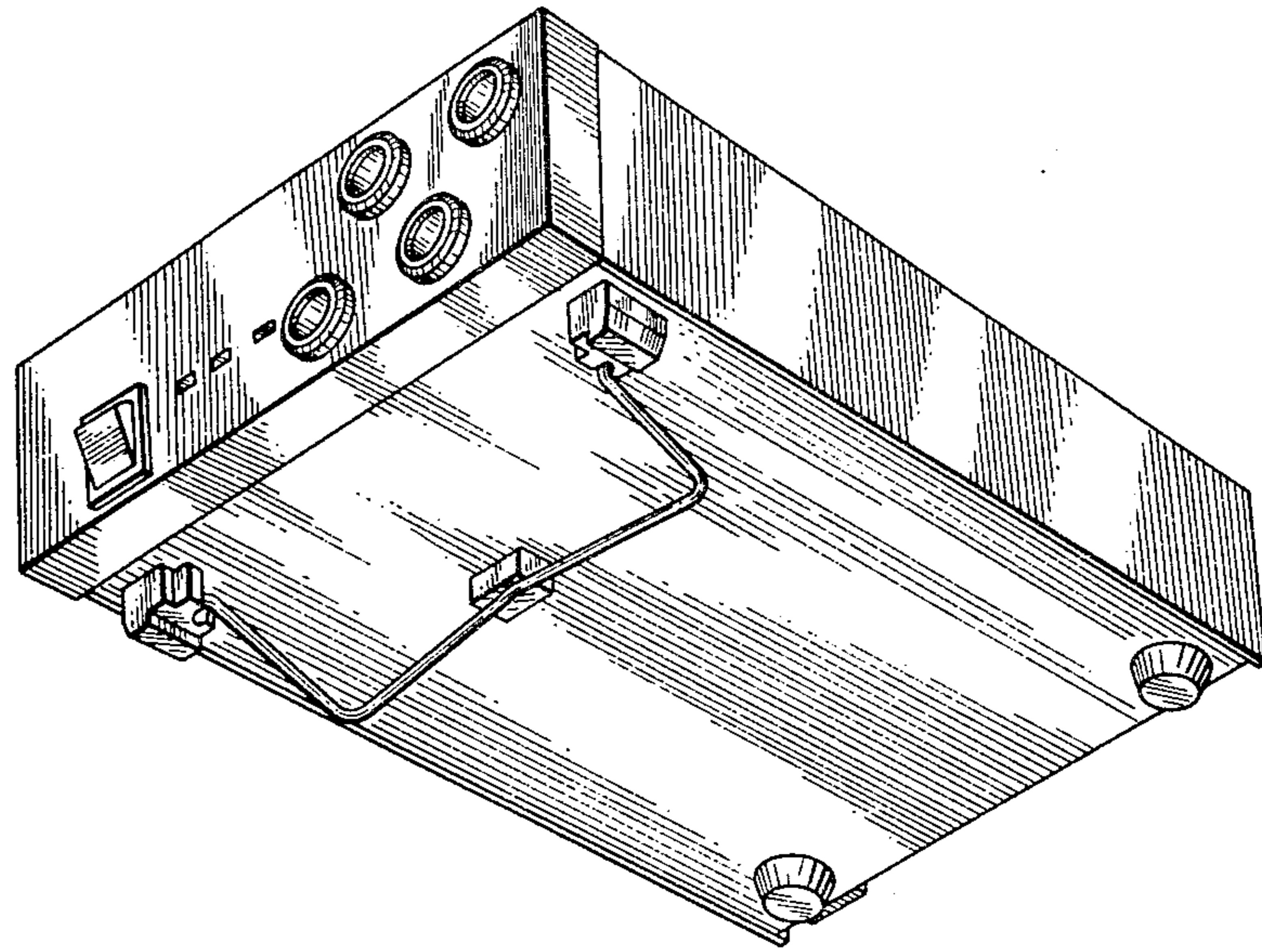


FIG. 4

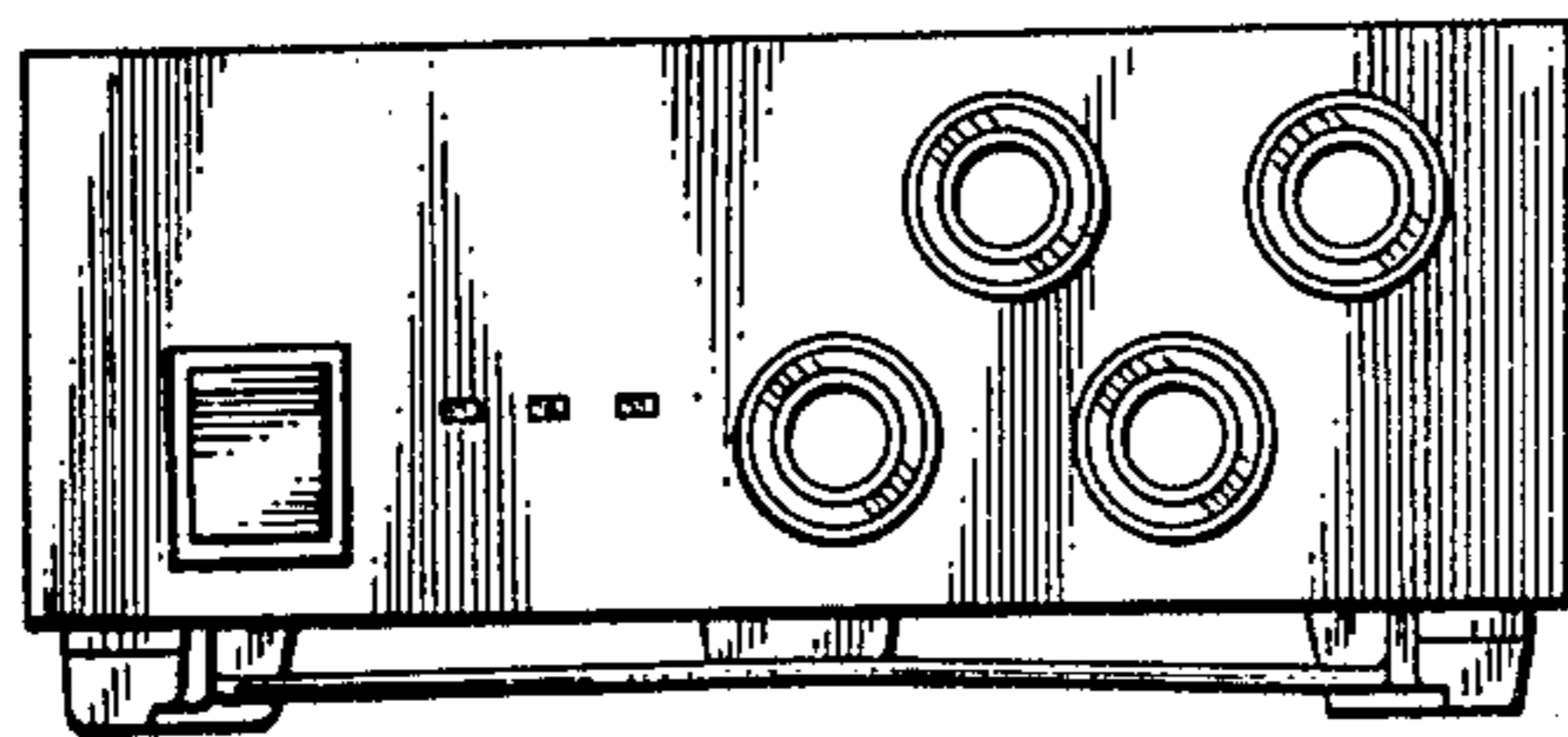


FIG. 5

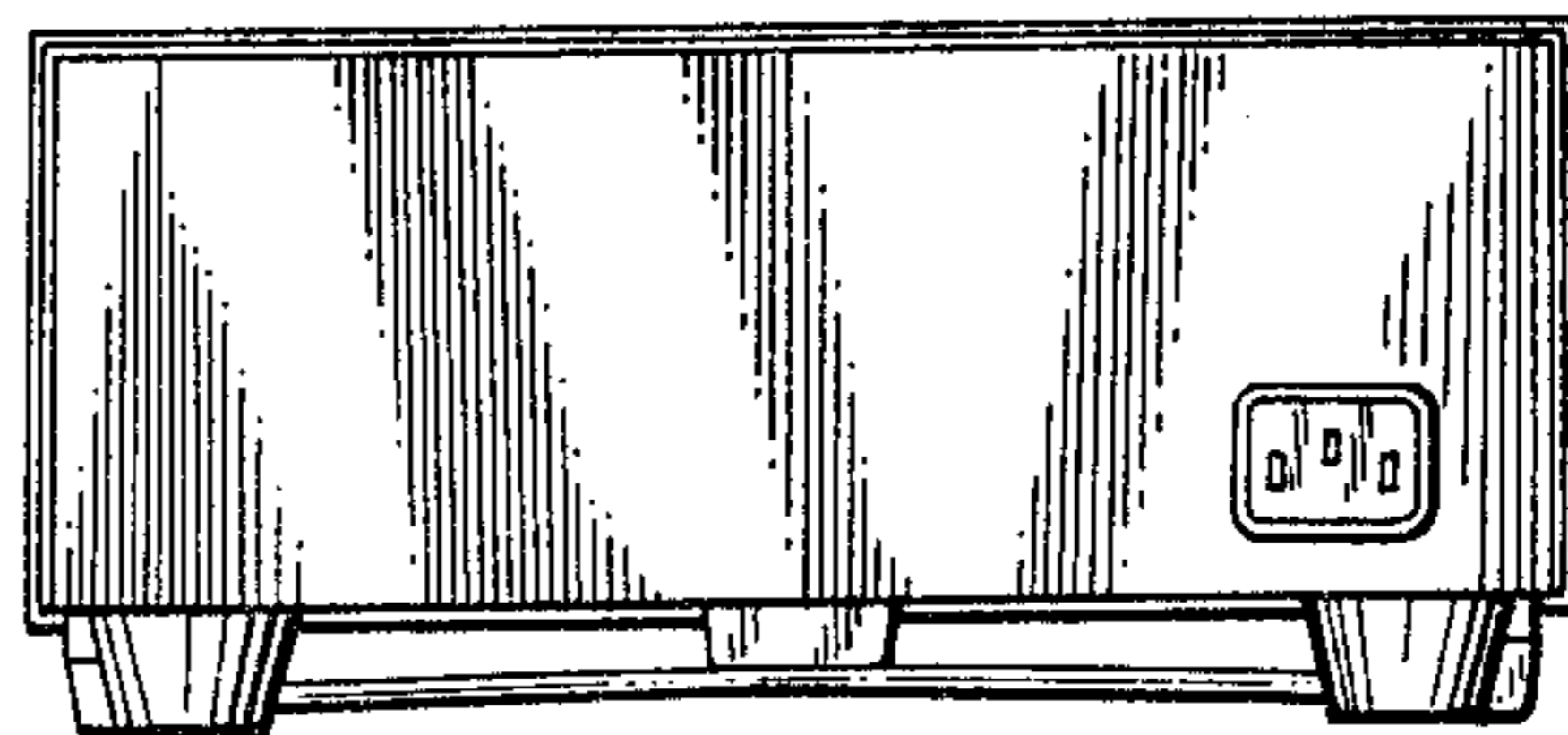


FIG. 6

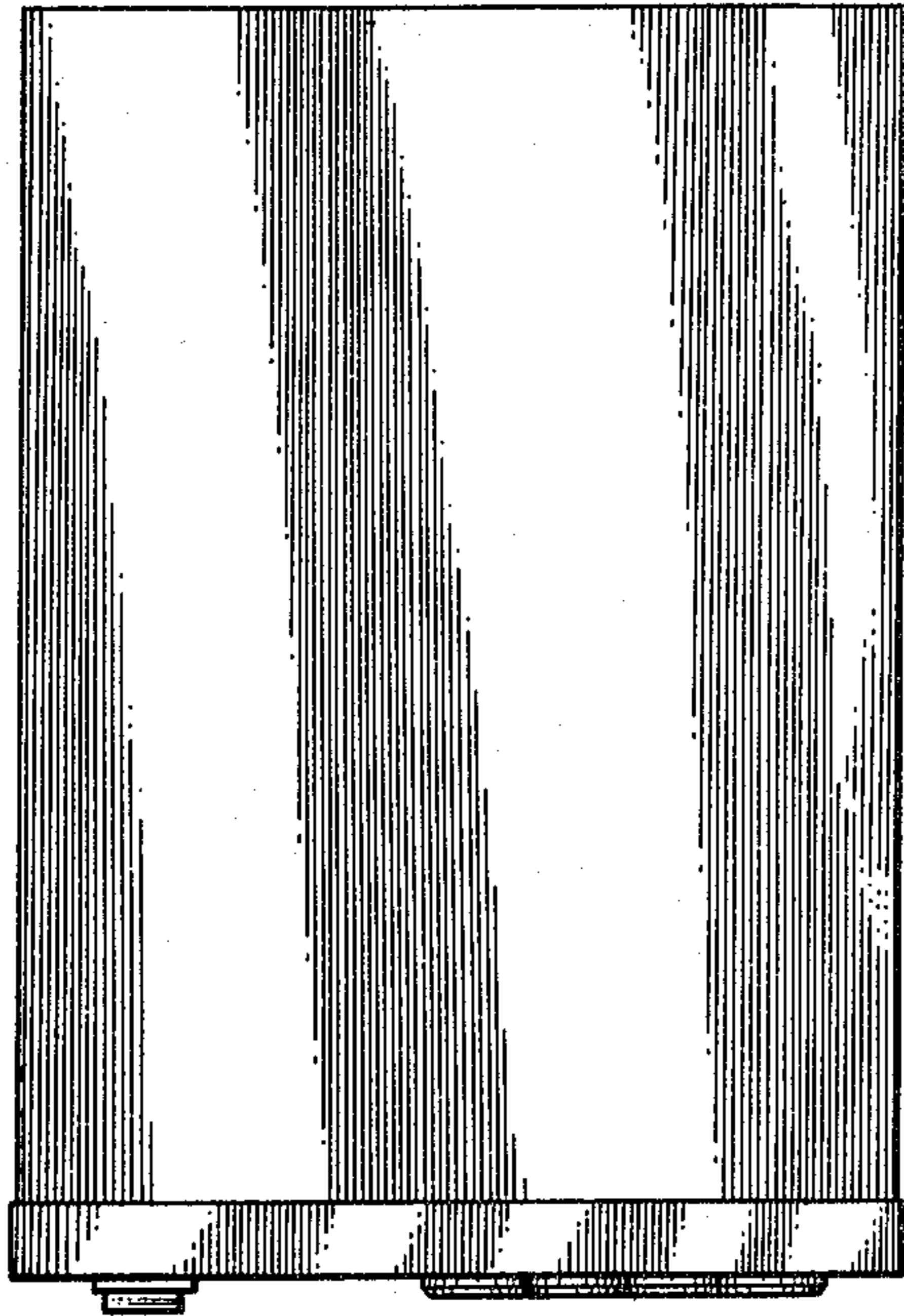


FIG. 7

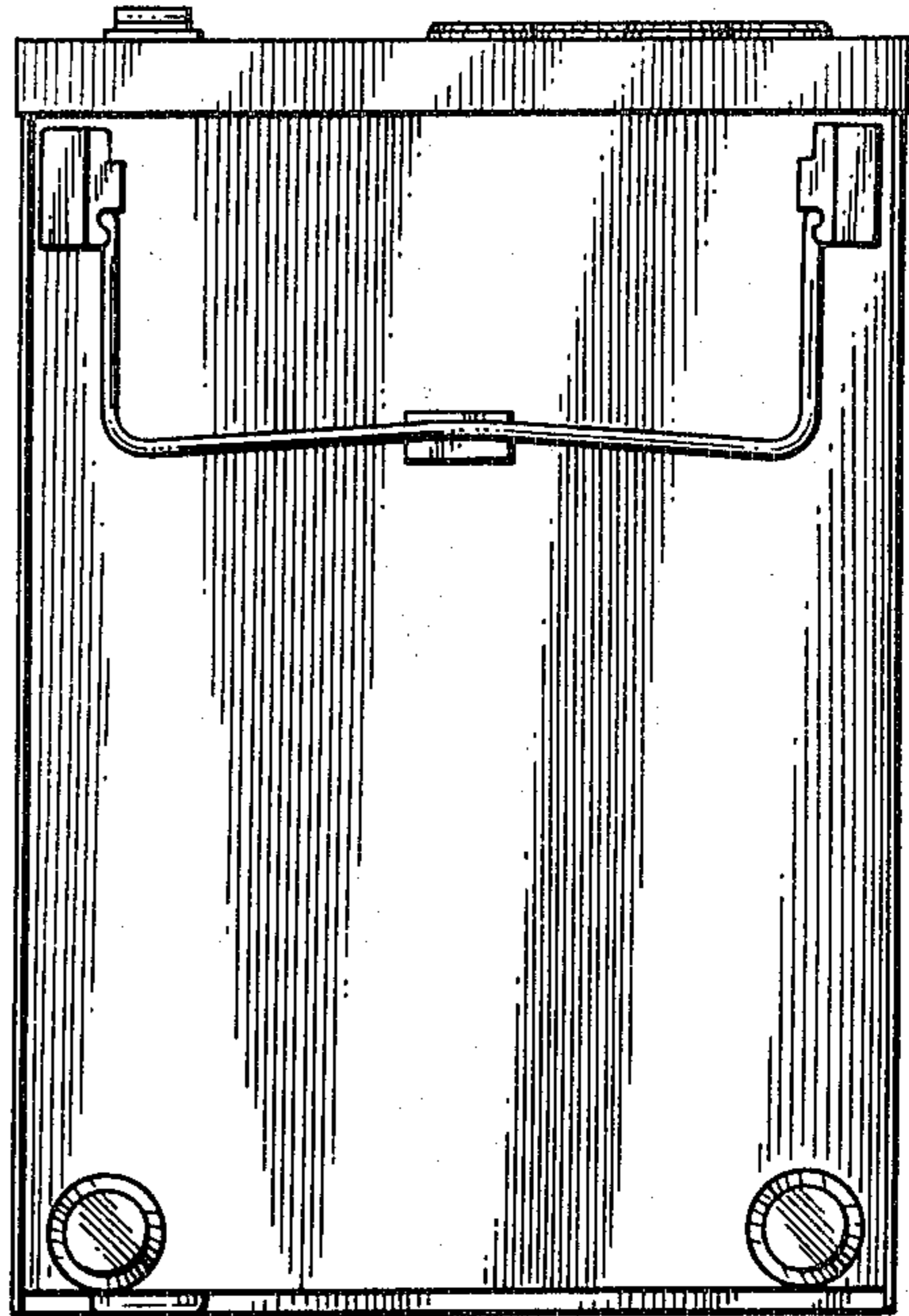


FIG. 8

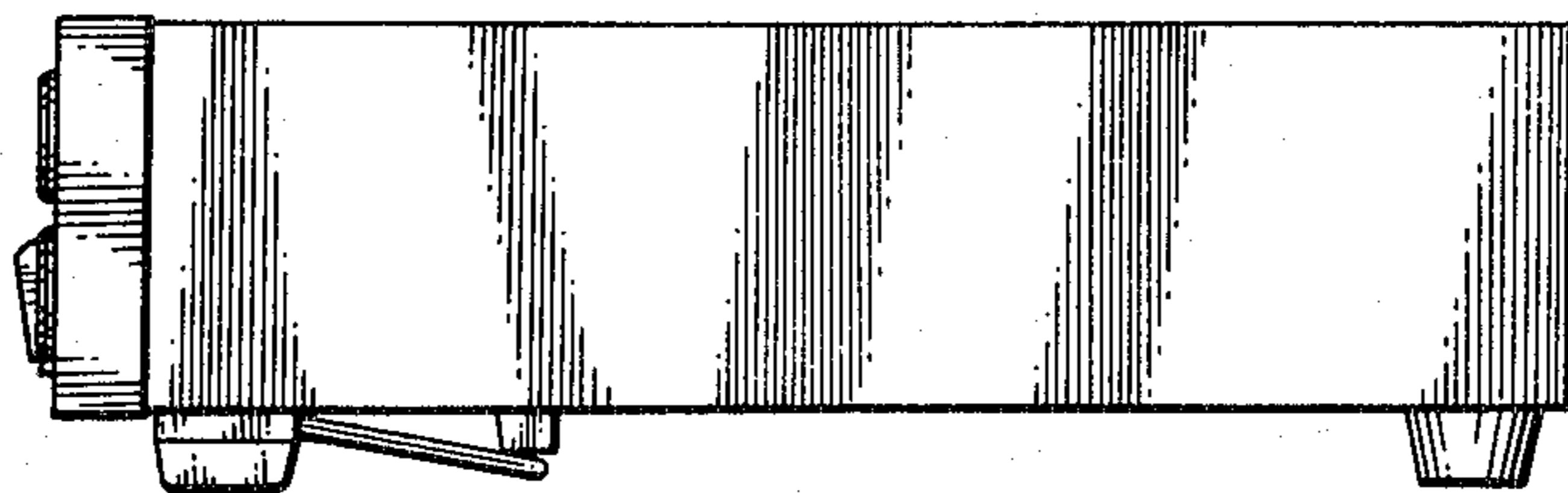


FIG. 9

