

[54] DISPENSER FOR AIR TREATING MATERIAL

[75] Inventor: Earl Hoyt, Franklin Lakes, N.J.

[73] Assignee: Airwick Industries, Inc., Carlstadt, N.J.

[**] Term: 14 Years

[21] Appl. No.: 369,435

[22] Filed: Apr. 19, 1982

[52] U.S. Cl. D23/150

[58] Field of Search D23/146-150; 239/34-60

[56] References Cited

U.S. PATENT DOCUMENTS

D. 204,756	5/1966	Farrell	D23/150
D. 244,692	6/1977	Schimanski	D23/150
D. 246,316	11/1977	Hadtke	D23/150
D. 254,930	5/1980	Mandon	D23/150
D. 255,047	5/1980	Mullar et al.	D23/150
D. 257,788	1/1981	Suhajda	D23/150
D. 260,926	9/1981	Dusek	D23/150
D. 270,468	9/1983	Hoyt	D23/150

2,555,047	5/1951	Logue	239/58
2,657,090	10/1953	Meek	239/55
2,836,492	5/1958	Wenner	239/58 X
3,286,872	11/1966	Burdick, Jr.	239/58 X
4,014,501	3/1977	Buckenmayer	239/58
4,247,042	1/1981	Schimanski et al.	239/47 X
4,258,004	3/1981	Valenzona et al.	239/57 X
4,372,490	2/1983	Caire, Jr.	239/59

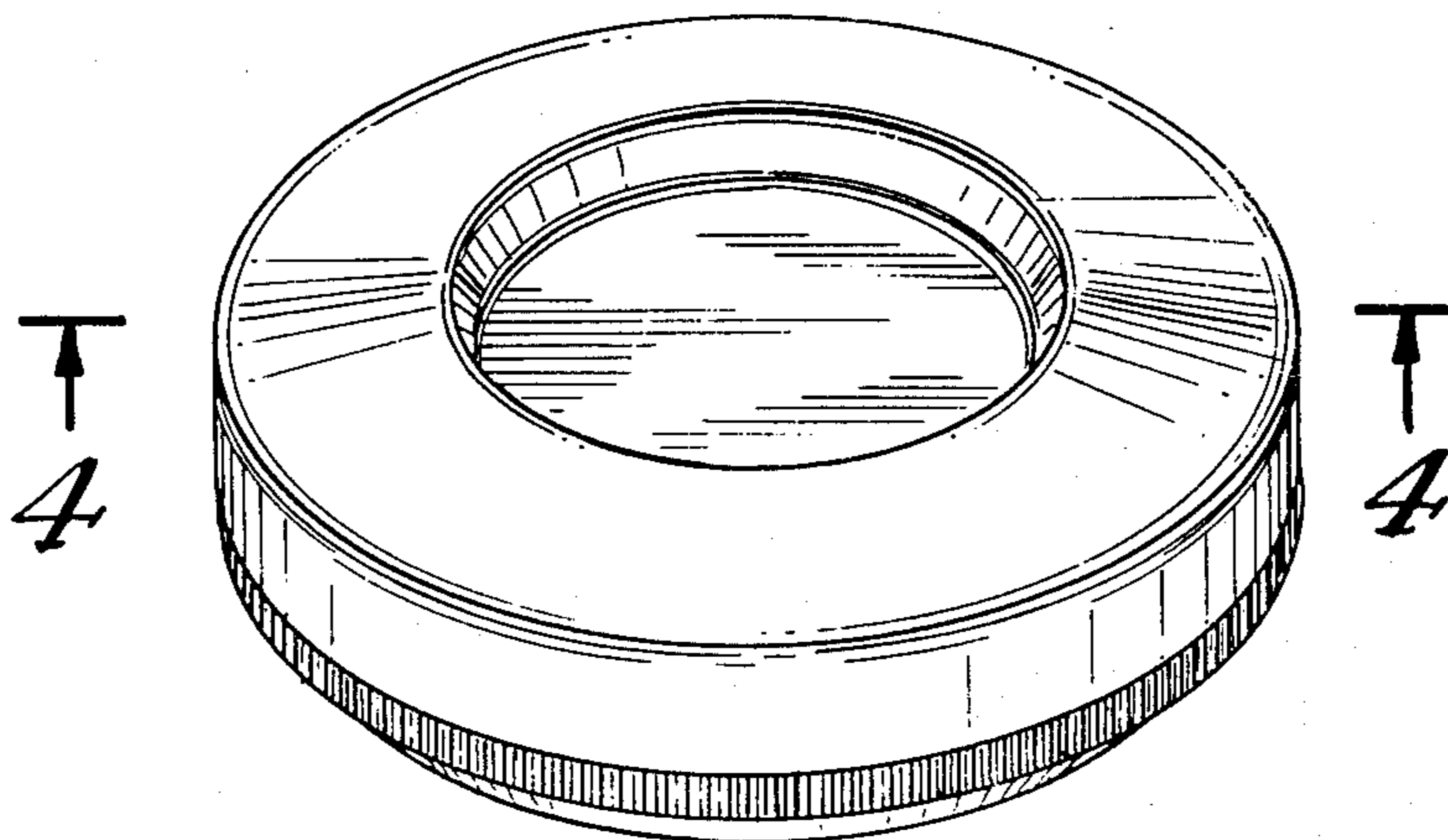
Primary Examiner—James R. Largen
Attorney, Agent, or Firm—Harry Falber

[57] CLAIM

The ornamental design for dispenser for air treating material, as shown and described.

DESCRIPTION

FIG. 1 is a top perspective view of a dispenser for air treating material showing my new design; FIG. 2 is a side elevational view thereof; FIG. 3 is a side elevational view showing the dispenser in an open position; FIG. 4 is a cross-sectional view taken on line 4—4 of FIG. 1; FIG. 5 is a bottom plan view thereof; and FIG. 6 is a top plan view showing a second embodiment thereof.



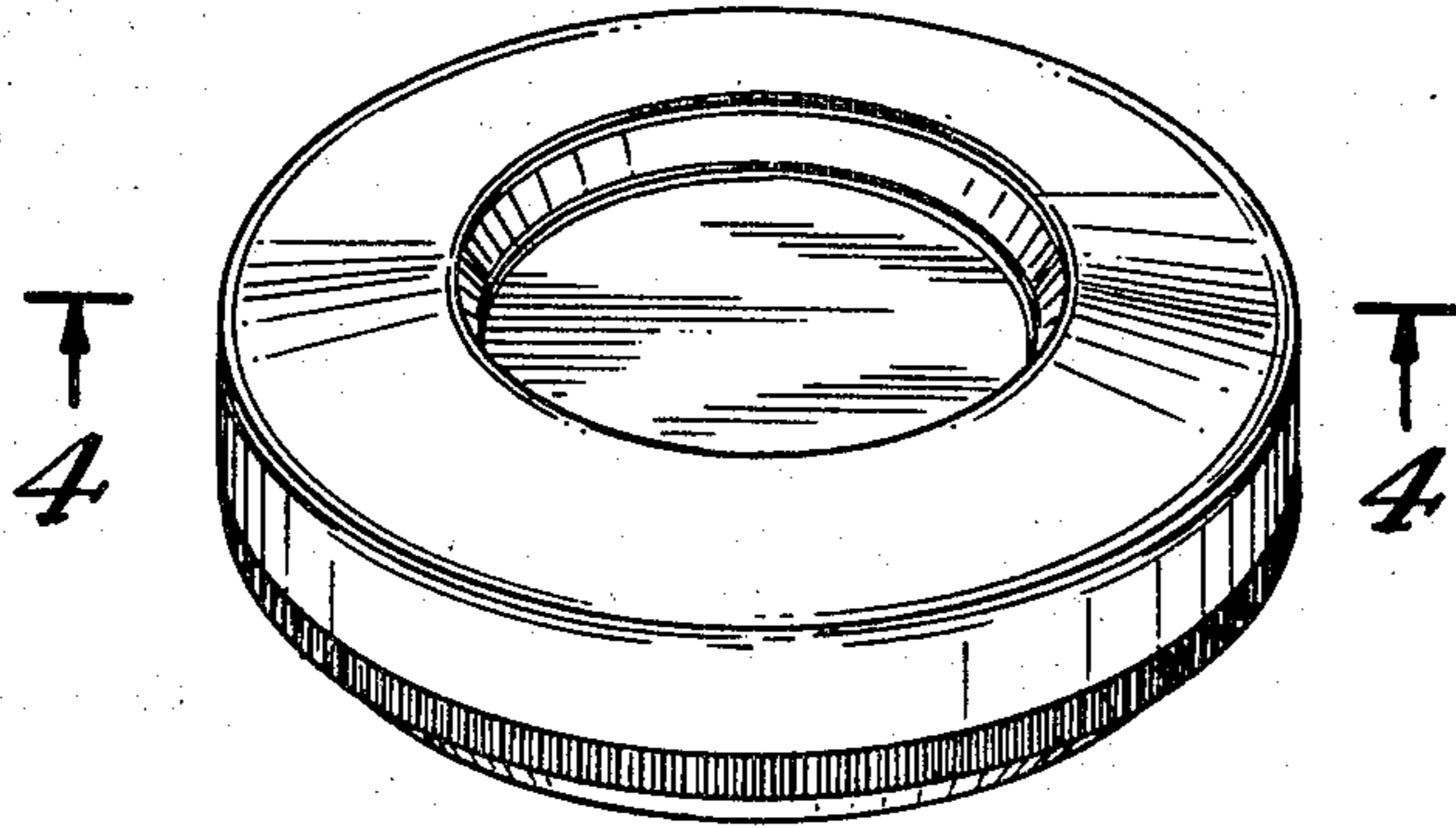


FIG. 1

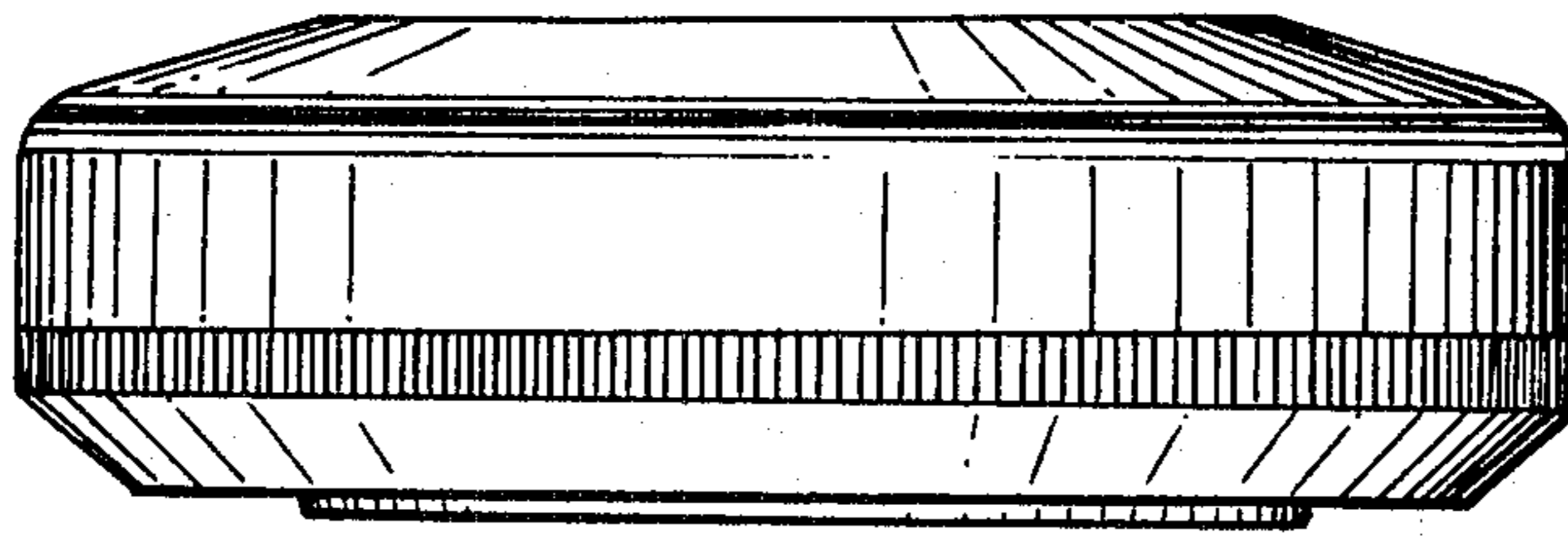


FIG. 2

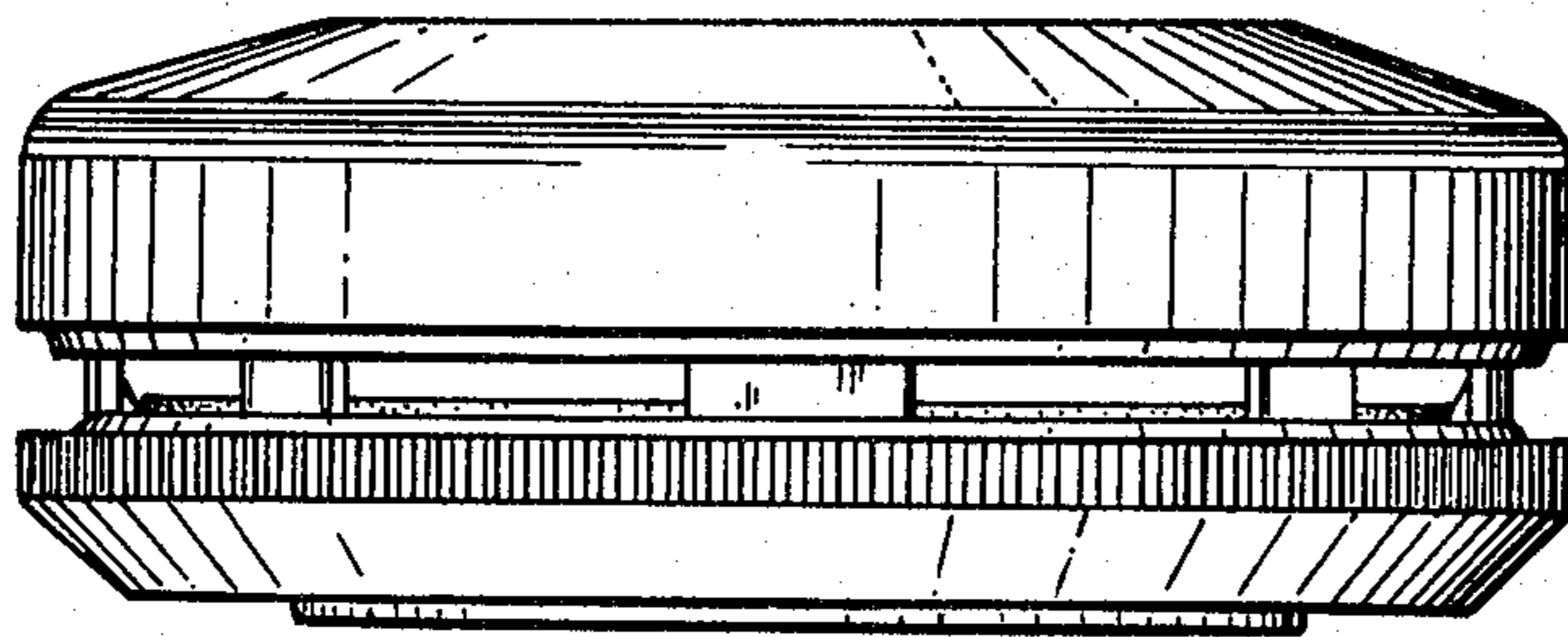


FIG. 3

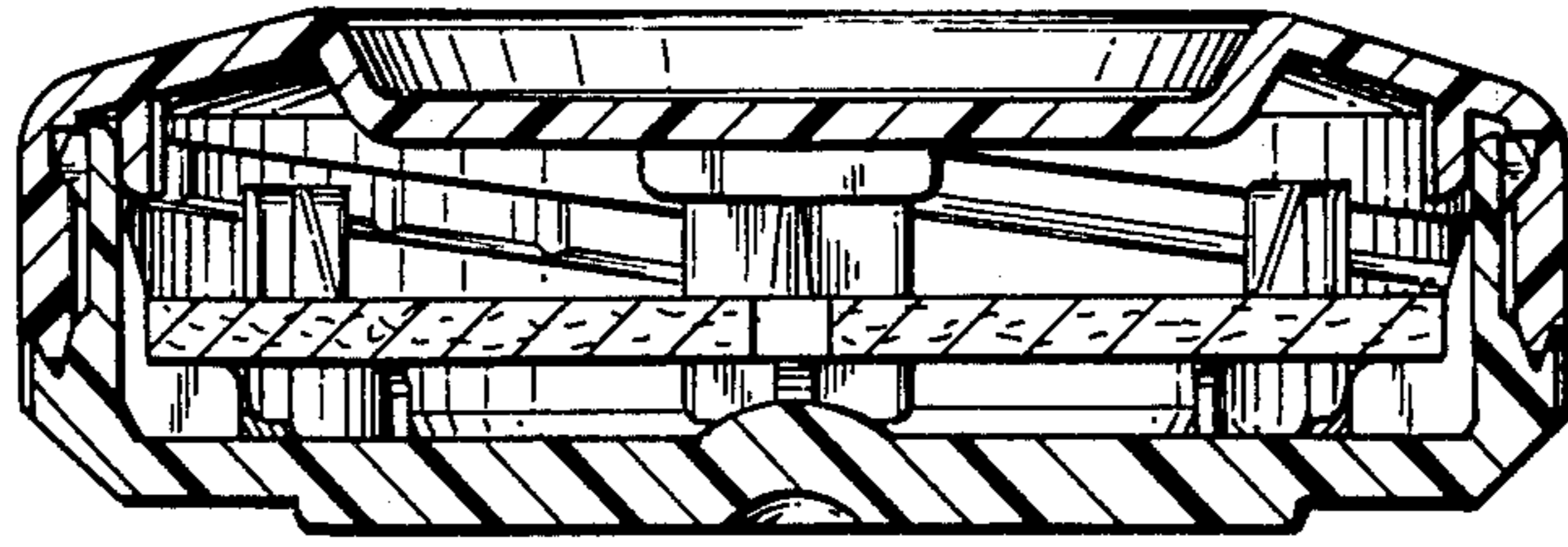


FIG. 4

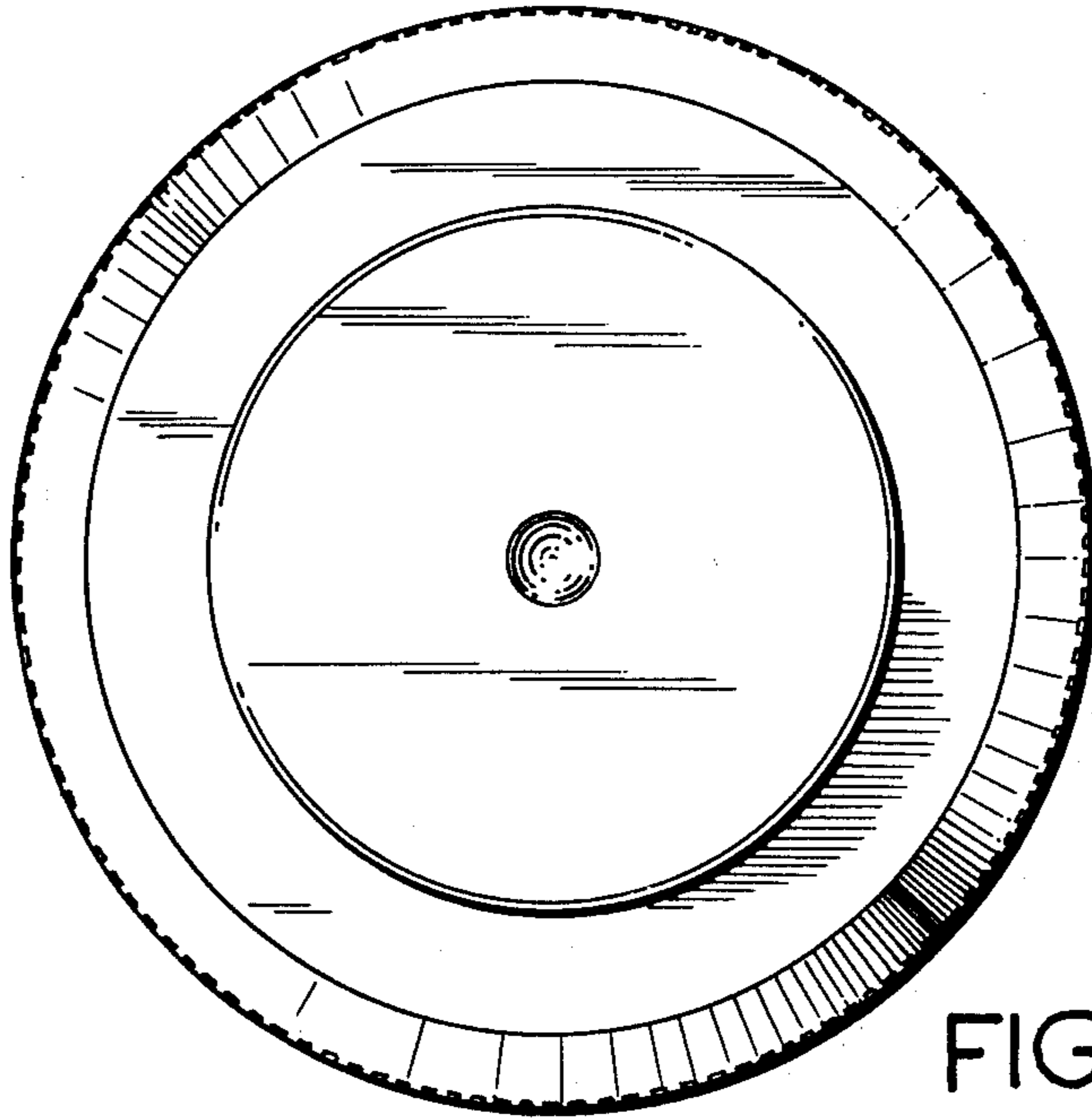


FIG. 5

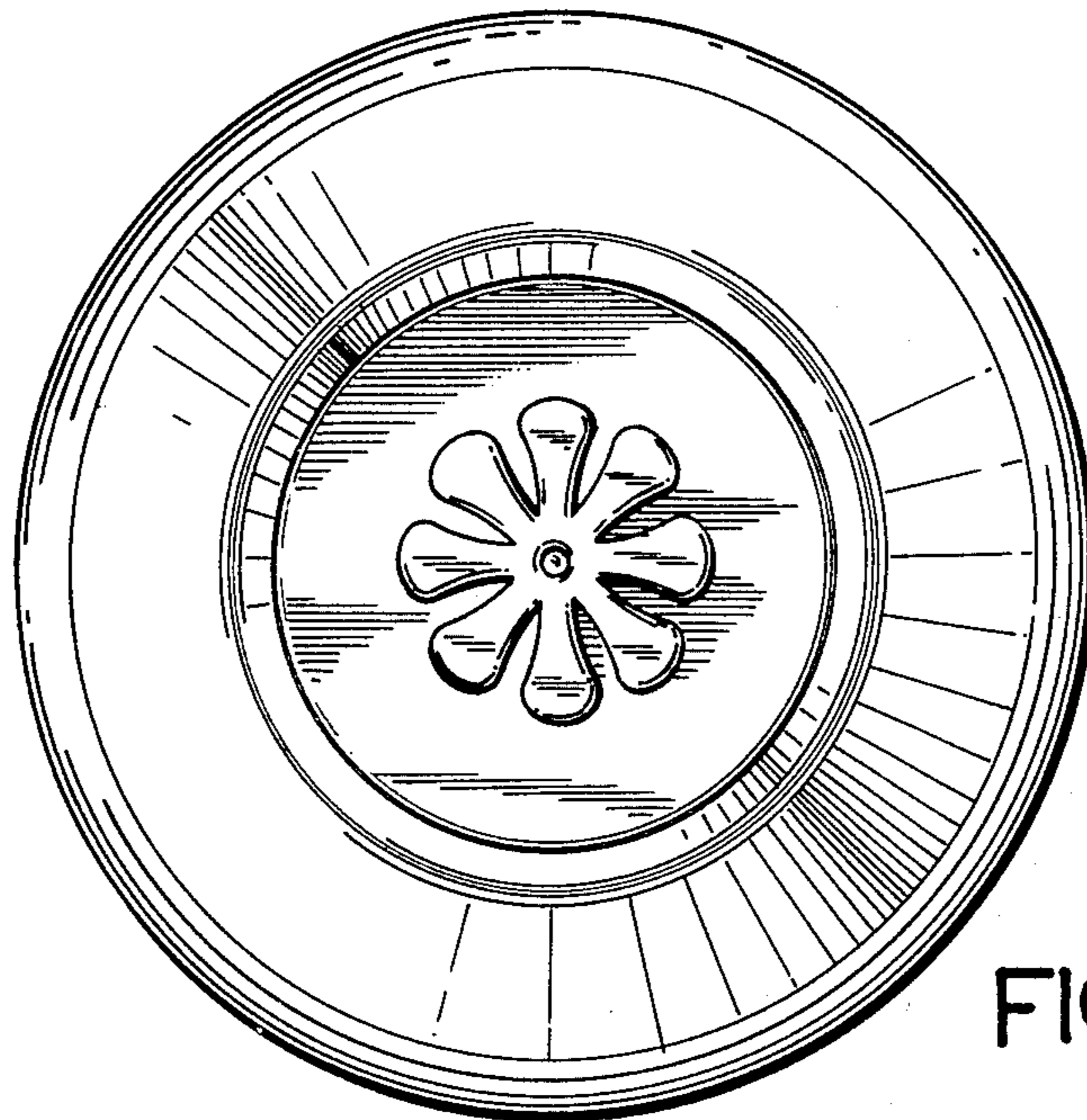


FIG. 6