

[54] ICE-SKATE

[56]

References Cited

U.S. PATENT DOCUMENTS

[76] Inventor: Wen-Hwang Chang, 2nd Fl., No. 124-1, Chang-Chuen Rd., Taipei, Taiwan

D. 43,766	4/1913	Meagher .....	D21/225
1,181,831	5/1916	Browne .....	D21/225
2,352,599	7/1944	Bloom .....	280/11.12
4,139,209	2/1979	Humphreys .....	280/11.12

[\*\*] Term: 14 Years

Primary Examiner—Charles A. Rademaker  
Attorney, Agent, or Firm—Cushman, Darby & Cushman

[21] Appl. No.: 279,019

[57] CLAIM

The ornamental design for an ice-skate, as shown.

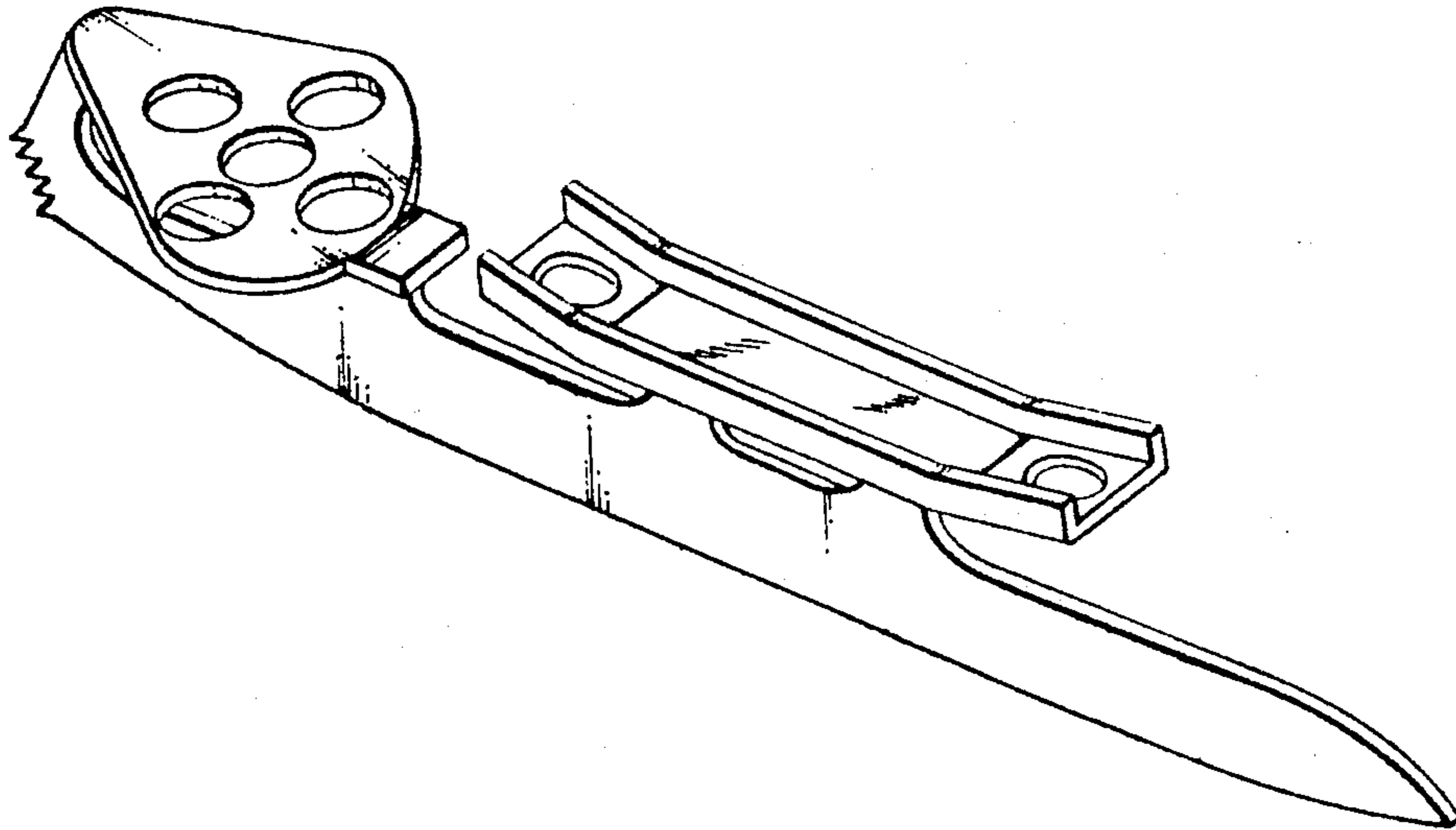
[22] Filed: Jun. 30, 1981

DESCRIPTION

[30] Foreign Application Priority Data

Feb. 3, 1981 [TW]	Taiwan .....	7030372
[52] U.S. Cl. ....		D21/225
[58] Field of Search .....	D21/225, 226;	280/1.1 R, 11.1 R

FIG. 1 is a side elevational view of an ice-skate showing my new design;  
 FIG. 2 is a top plan view thereof;  
 FIG. 3 is a bottom plan view thereof;  
 FIG. 4 is a front elevational view thereof;  
 FIG. 5 is a rear elevational view thereof; and,  
 FIG. 6 is a top perspective view thereof.



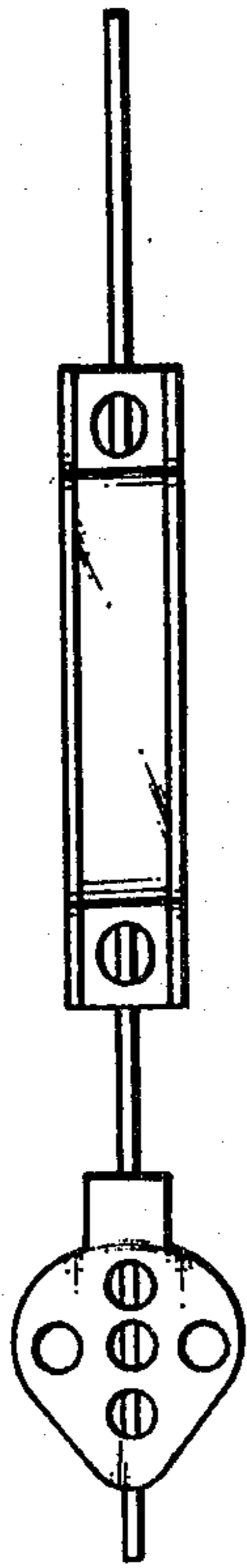


FIG. 2

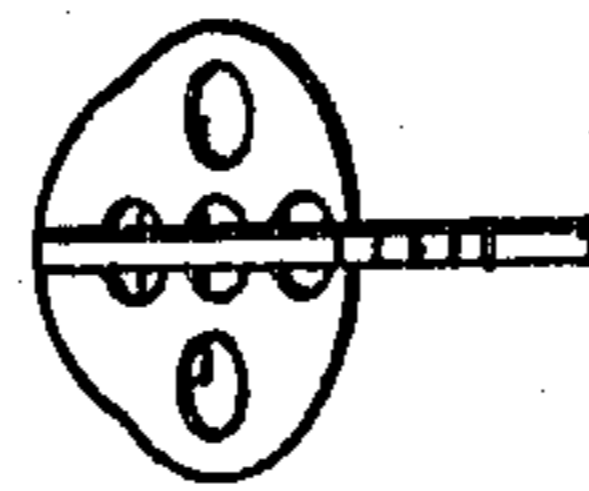


FIG. 4

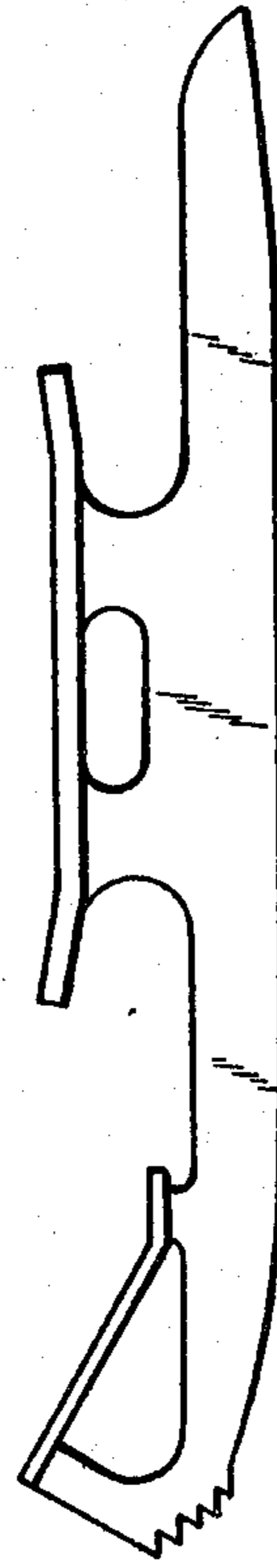


FIG. 1

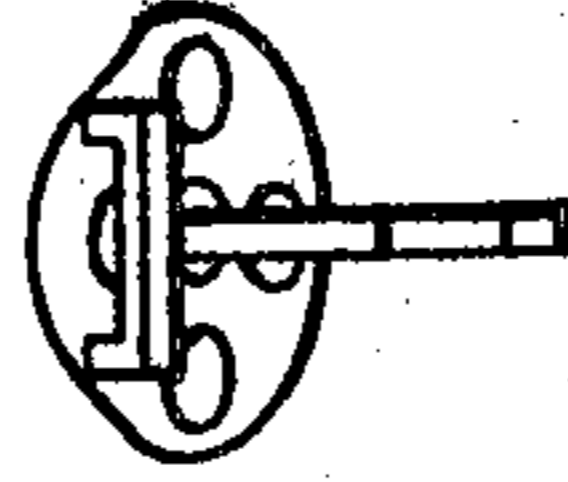


FIG. 5

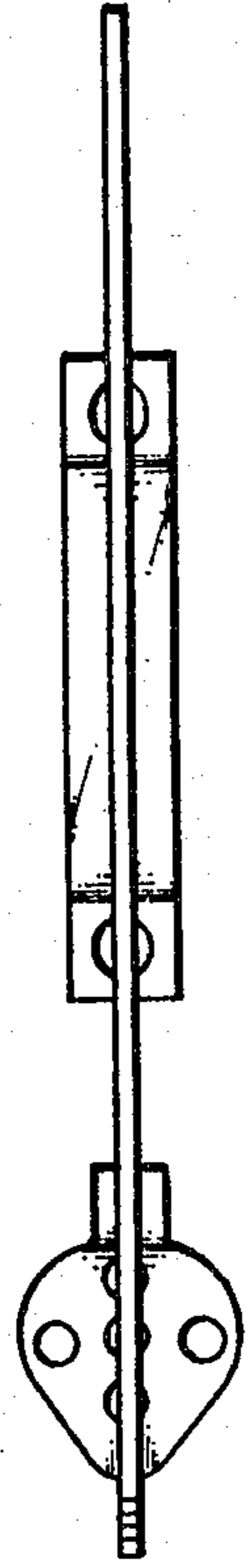


FIG. 3

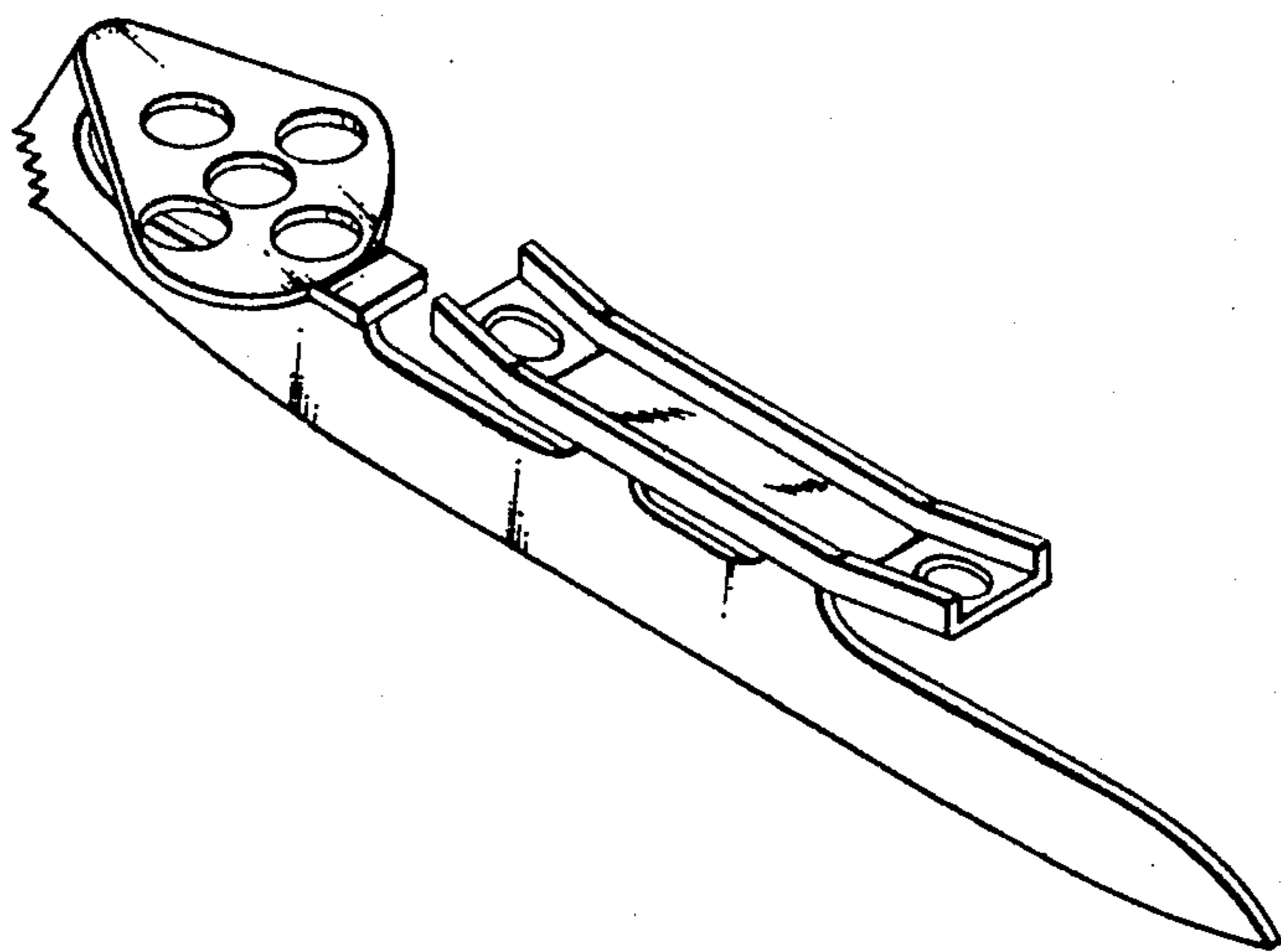


FIG. 6