

[54] PHYSICAL EXERCISER

[76] Inventor: Martin W. Johnson, R.R. #1, Box 95, Portland, N. Dak. 58274

[\*\*] Term: 14 Years

[21] Appl. No.: 337,513

[22] Filed: Jan. 4, 1982

[52] U.S. Cl. .... D21/191

[58] Field of Search ..... D21/191-199; 272/125, 133, 136, 143, 144, 145, 116, 141, 142, 134

[56] References Cited

U.S. PATENT DOCUMENTS

D. 226,934	5/1973	Coker et al. ....	D21/195
D. 256,707	9/1980	MacLaren-Taylor .....	D21/191
D. 262,227	12/1981	Dryden .....	D21/191
4,136,868	1/1979	Hogue .....	272/145

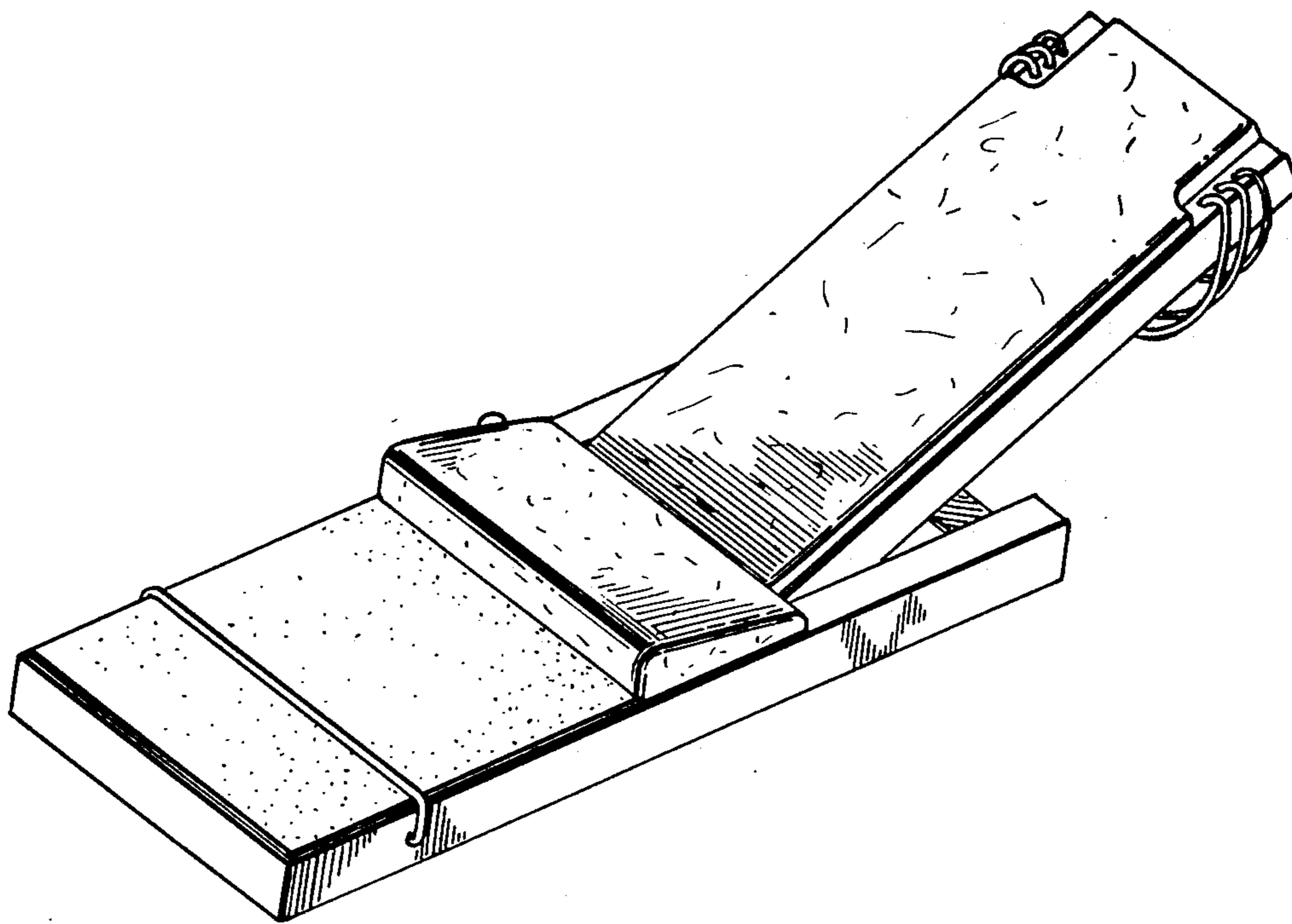
Primary Examiner—Charles A. Rademaker  
Attorney, Agent, or Firm—Mason, Fenwick & Lawrence

[57] CLAIM

The ornamental design for physical exerciser, as shown and described.

DESCRIPTION

FIG. 1 is a front perspective view of a physical exerciser showing my new design;  
 FIG. 2 is a rear perspective view thereof showing the design in an opened condition;  
 FIG. 3 is a front perspective view thereof;  
 FIG. 4 is a top plan view thereof;  
 FIG. 5 is a side elevational view thereof, the side opposite being substantially a mirror image;  
 FIG. 6 is a bottom plan view thereof;  
 FIG. 7 is a rear elevational view thereof; and,  
 FIG. 8 is a front elevational view thereof.



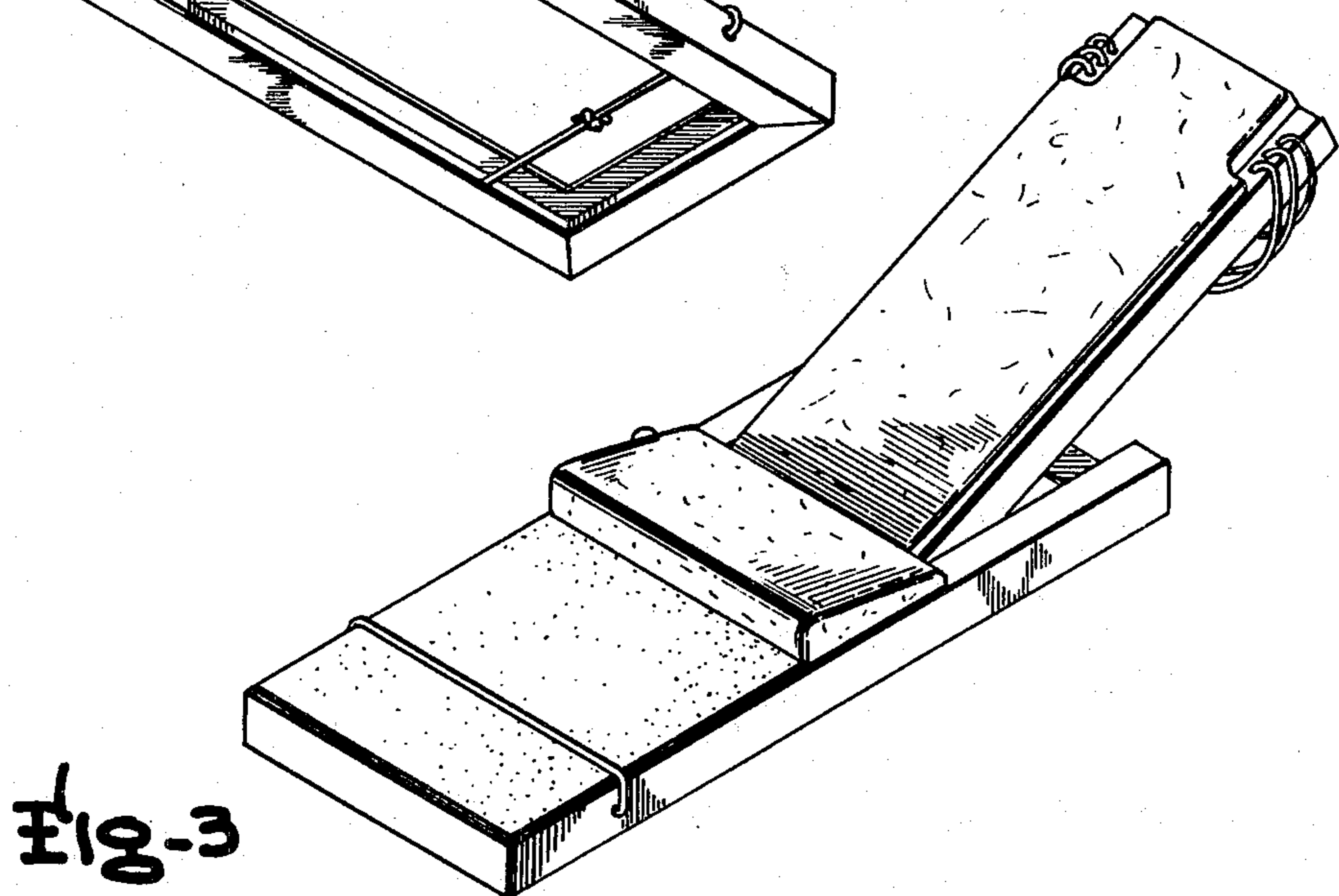
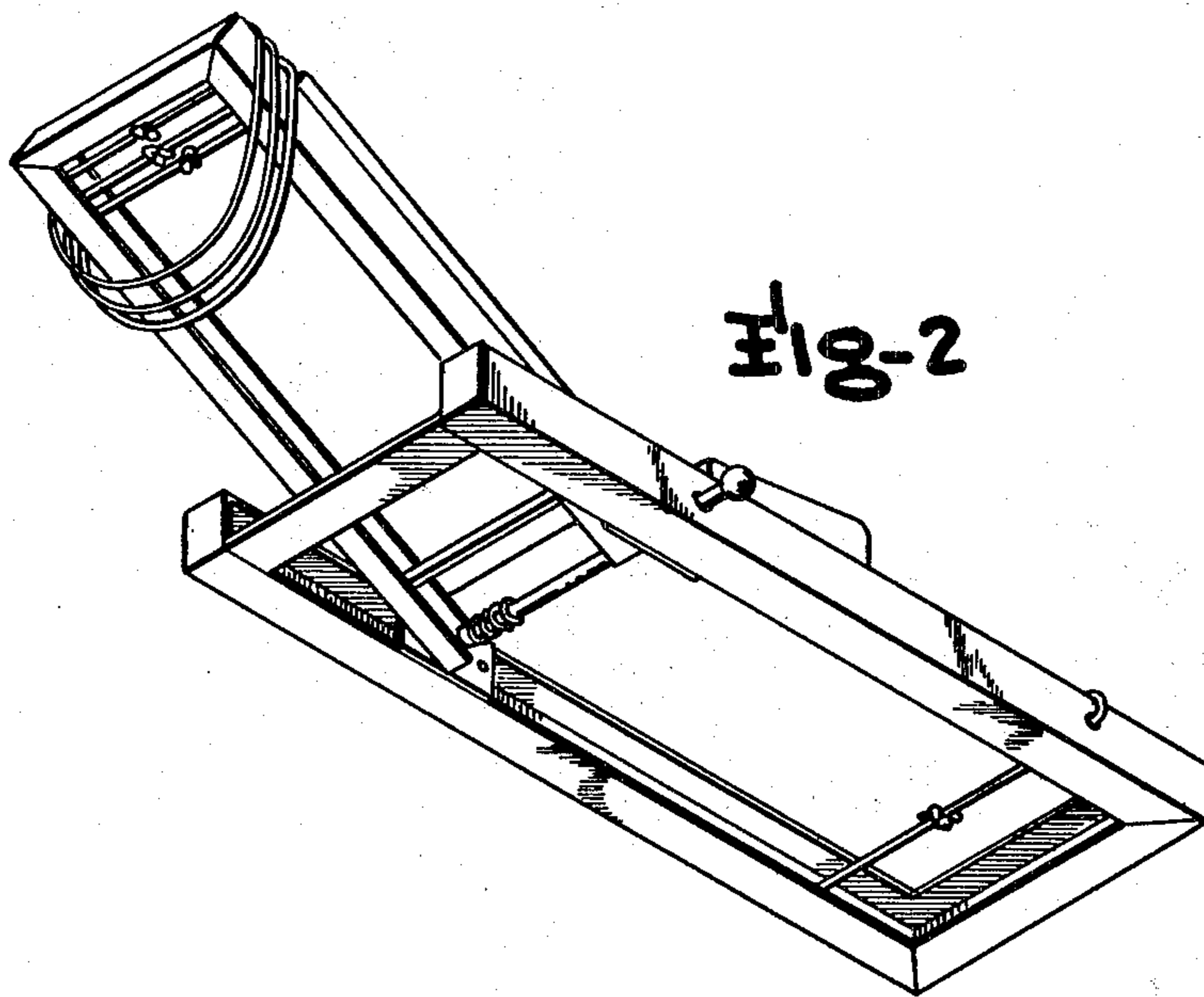
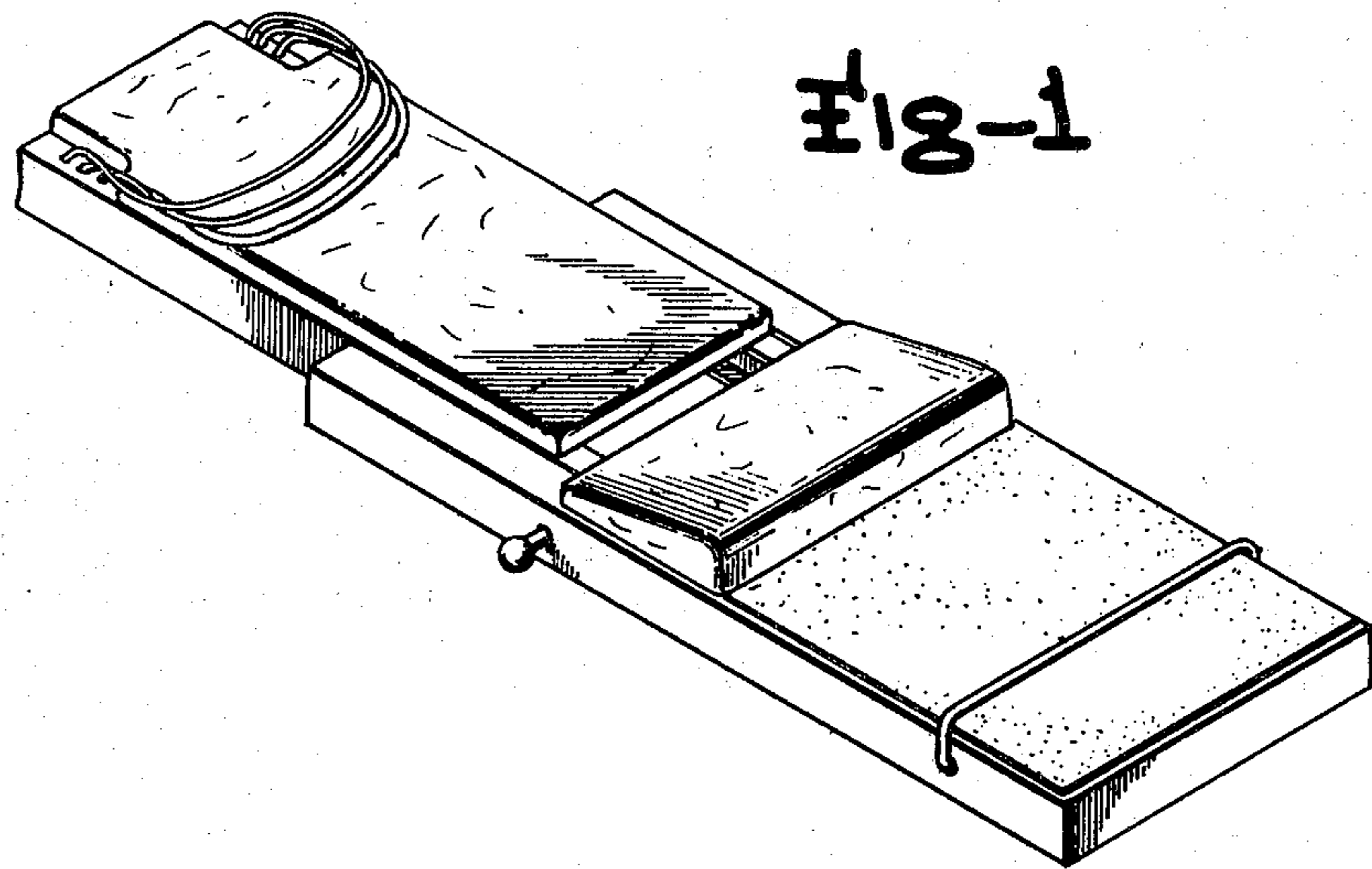


Fig-4

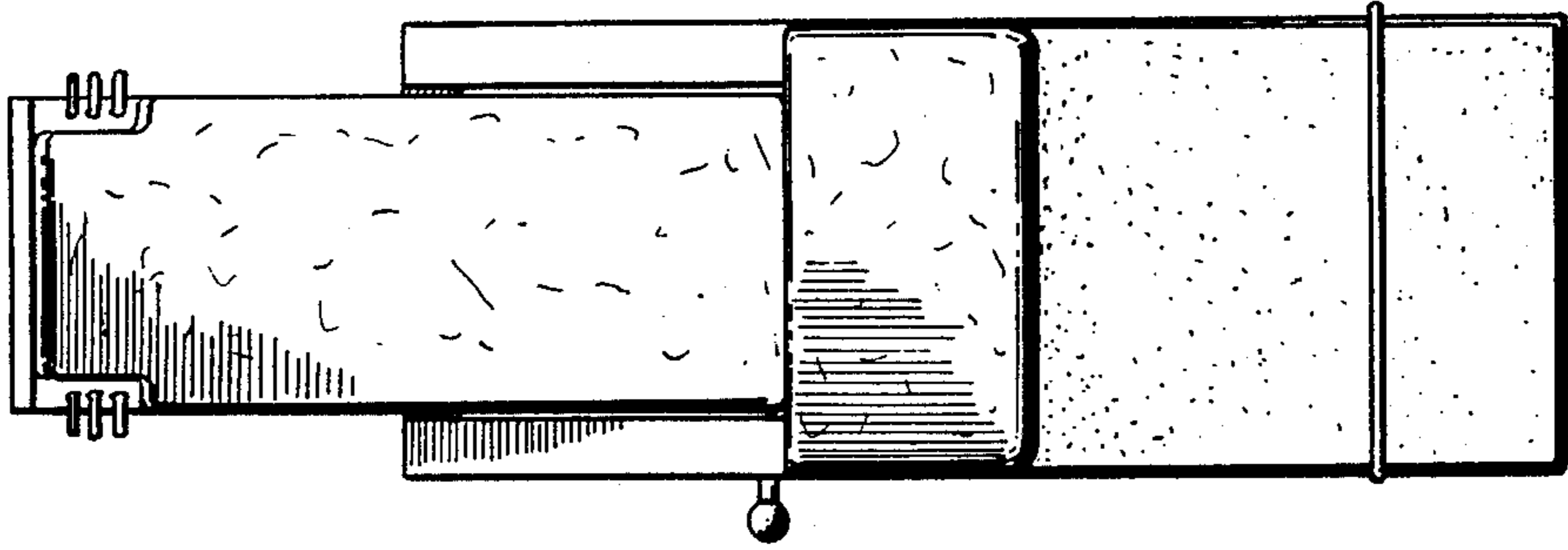


Fig-5

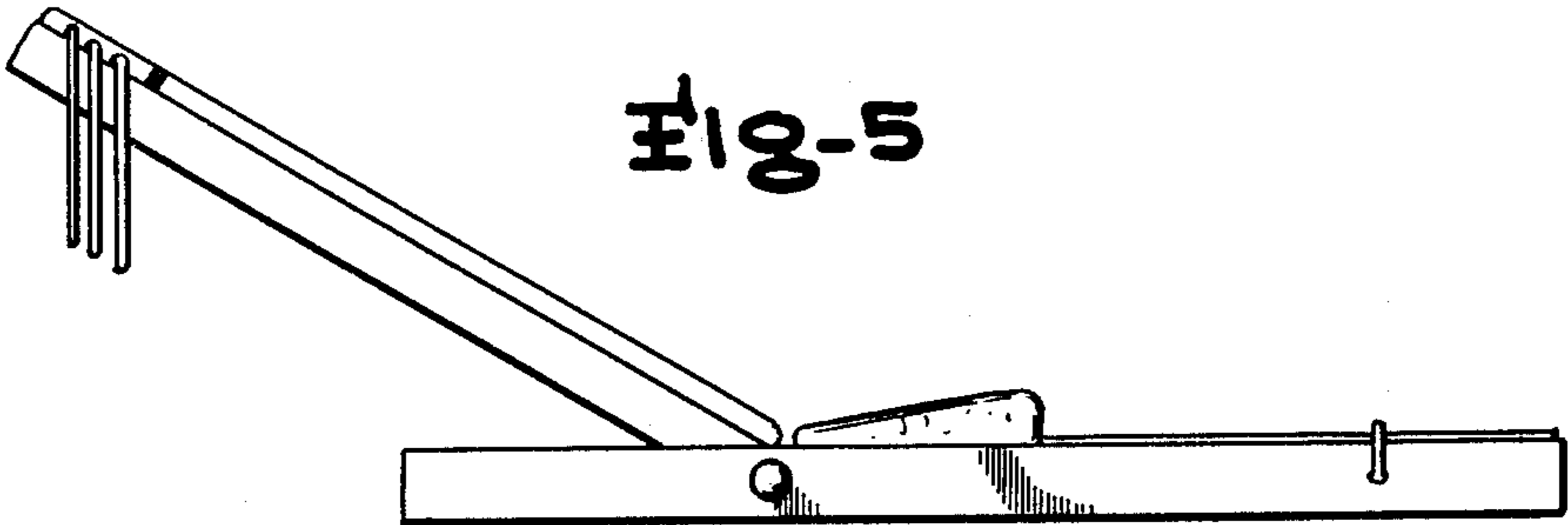


Fig-6

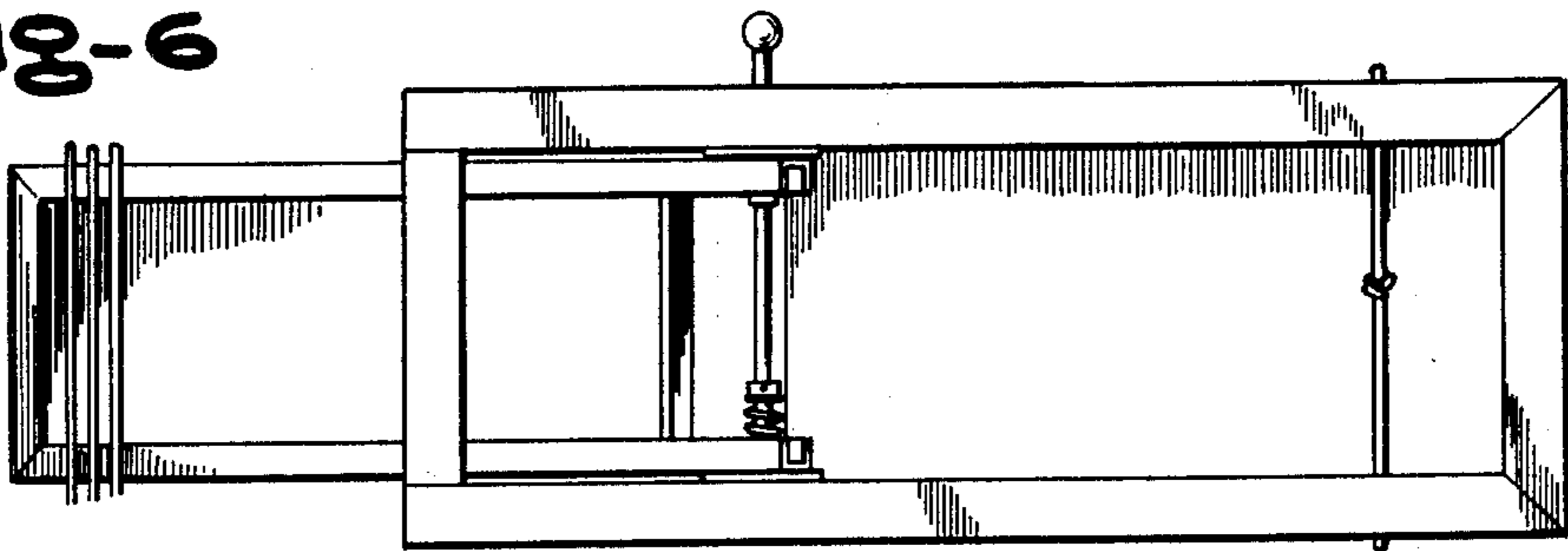


Fig-7

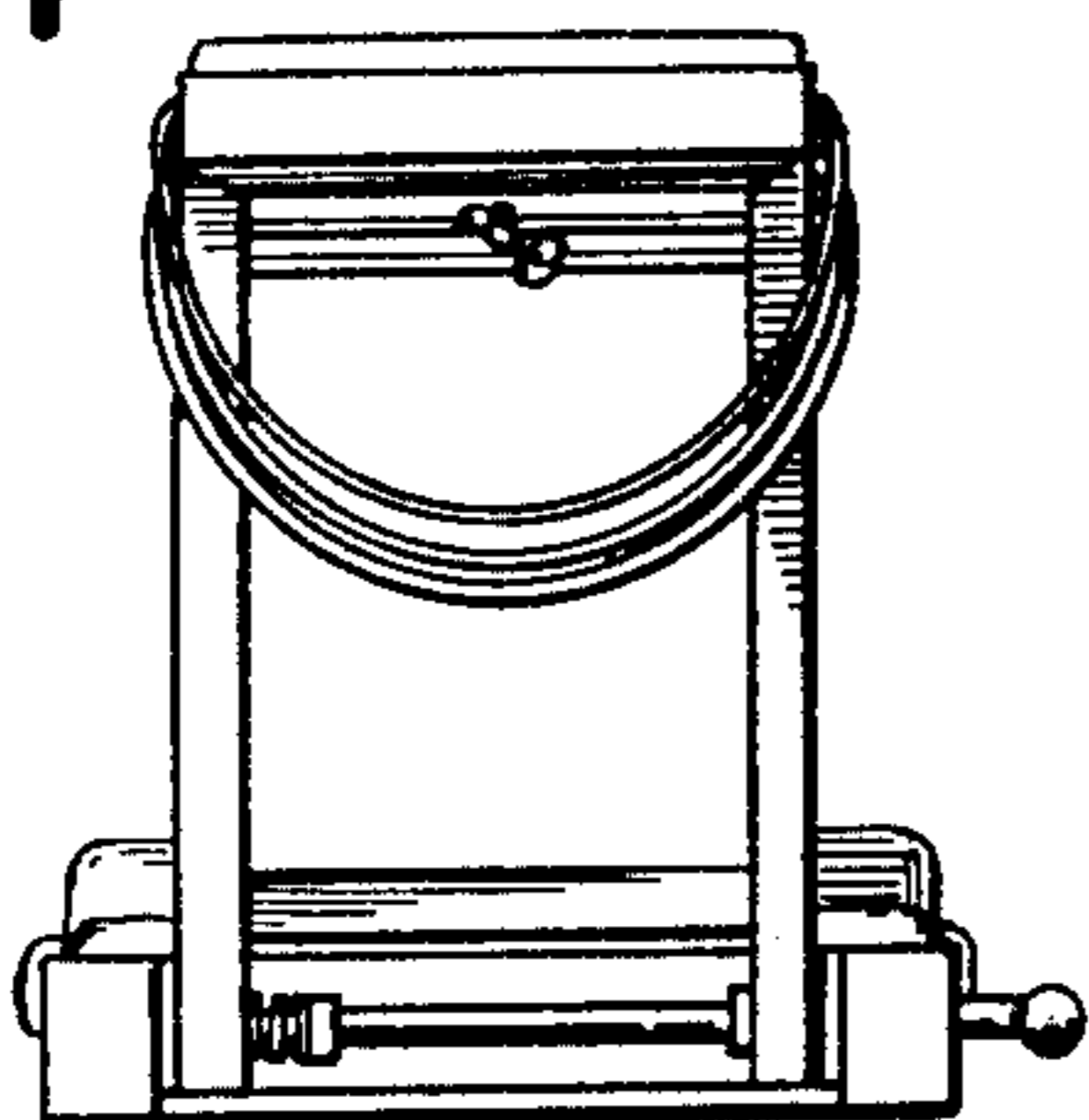


Fig-8

