

[54] CAMERA BOOM OR THE LIKE

4,208,028 6/1980 Brown et al. 248/280.1 X
4,247,067 1/1981 Smith 248/280.1 X

[76] Inventor: Eddie N. Barber, 1305 Pratt Ct.,
Raleigh, N.C. 27606

Primary Examiner—Jane E. Corrigan
Attorney, Agent, or Firm—Mills and Coats

[**] Term: 14 Years

[57] CLAIM

[21] Appl. No.: 359,691

The ornamental design for a camera boom or the like, as shown.

[22] Filed: Mar. 19, 1982

[52] U.S. Cl. D16/44

DESCRIPTION

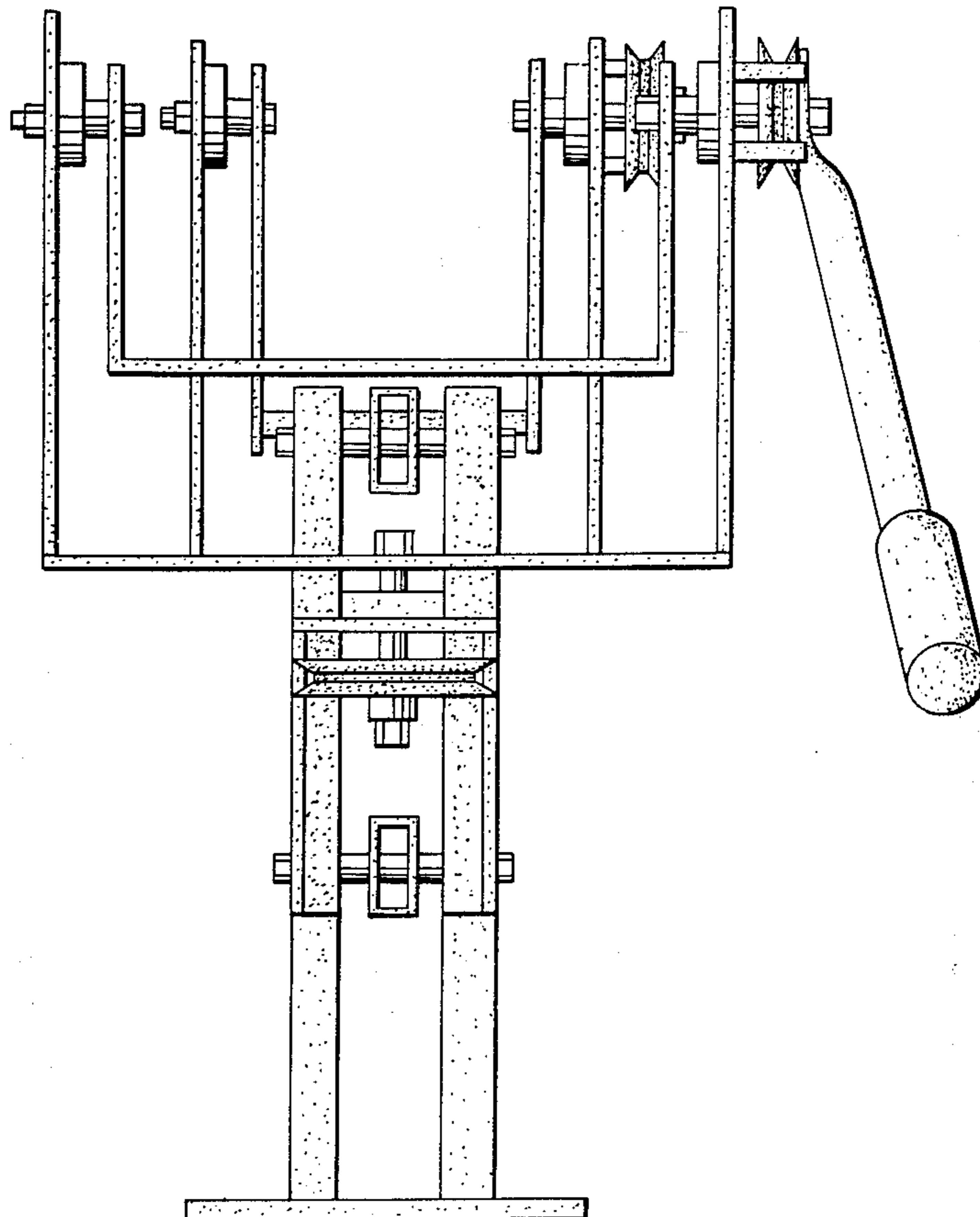
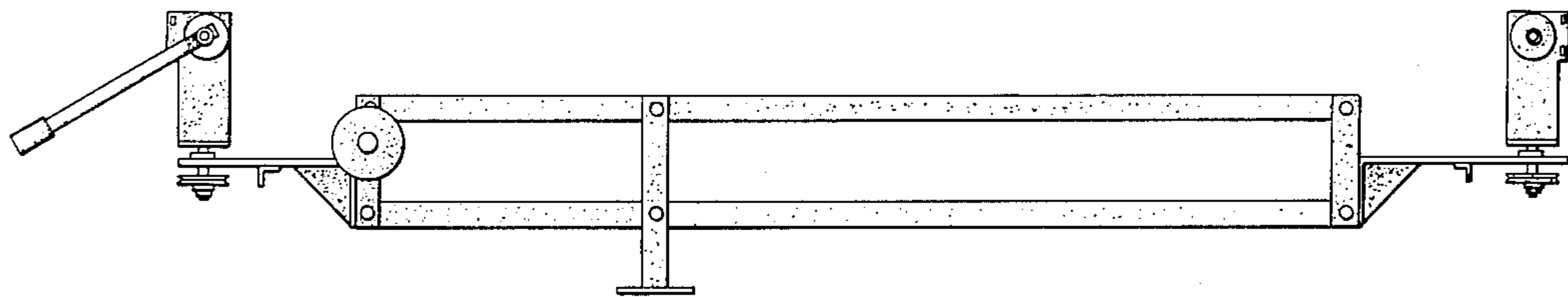
[58] Field of Search D14/78; D16/44, 47;
248/280.1, 281.1, 123.1, 585-587

FIG. 1 is a right side elevational view of the camera boom or the like showing my new design;
FIG. 2 is a top plan view thereof;
FIG. 3 is a bottom plan view thereof;
FIG. 4 is a right end elevational view thereof;
FIG. 5 is a left end elevational view thereof; and
FIG. 6 is a left side elevational view thereof.

[56] References Cited

U.S. PATENT DOCUMENTS

D. 224,053 6/1972 Stein D16/44
3,756,549 9/1973 Lange 248/123.1



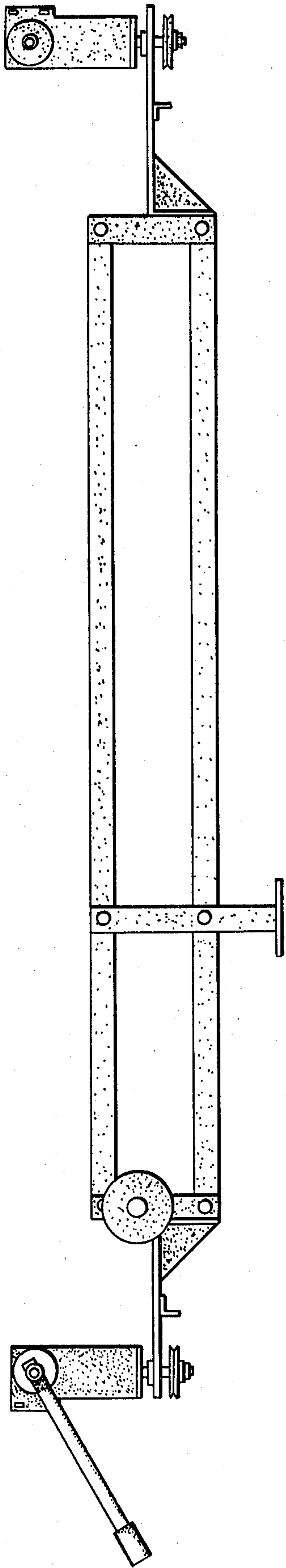


FIG. 1

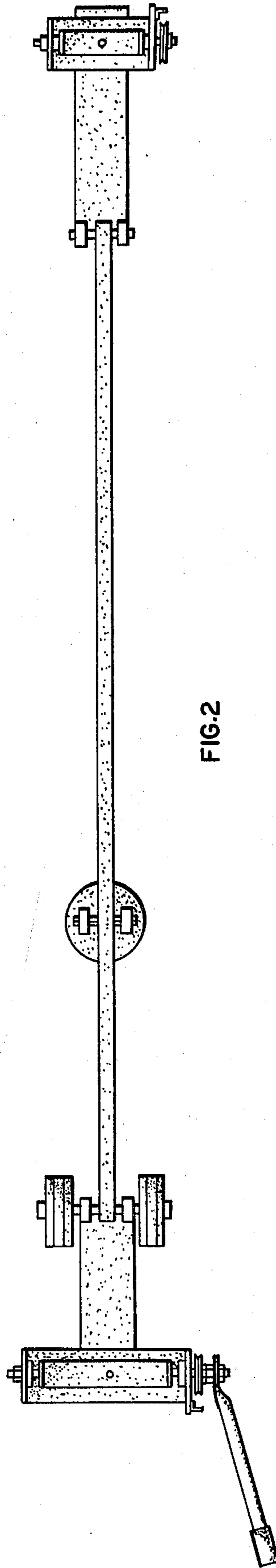


FIG. 2

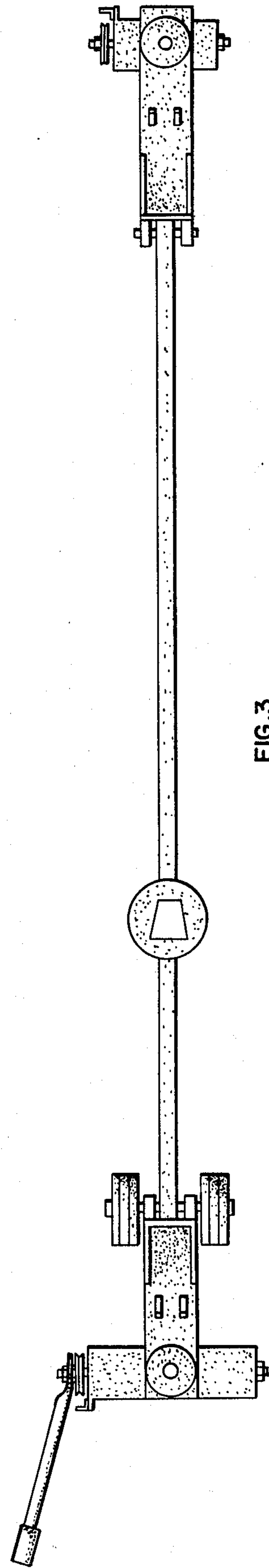


FIG. 3

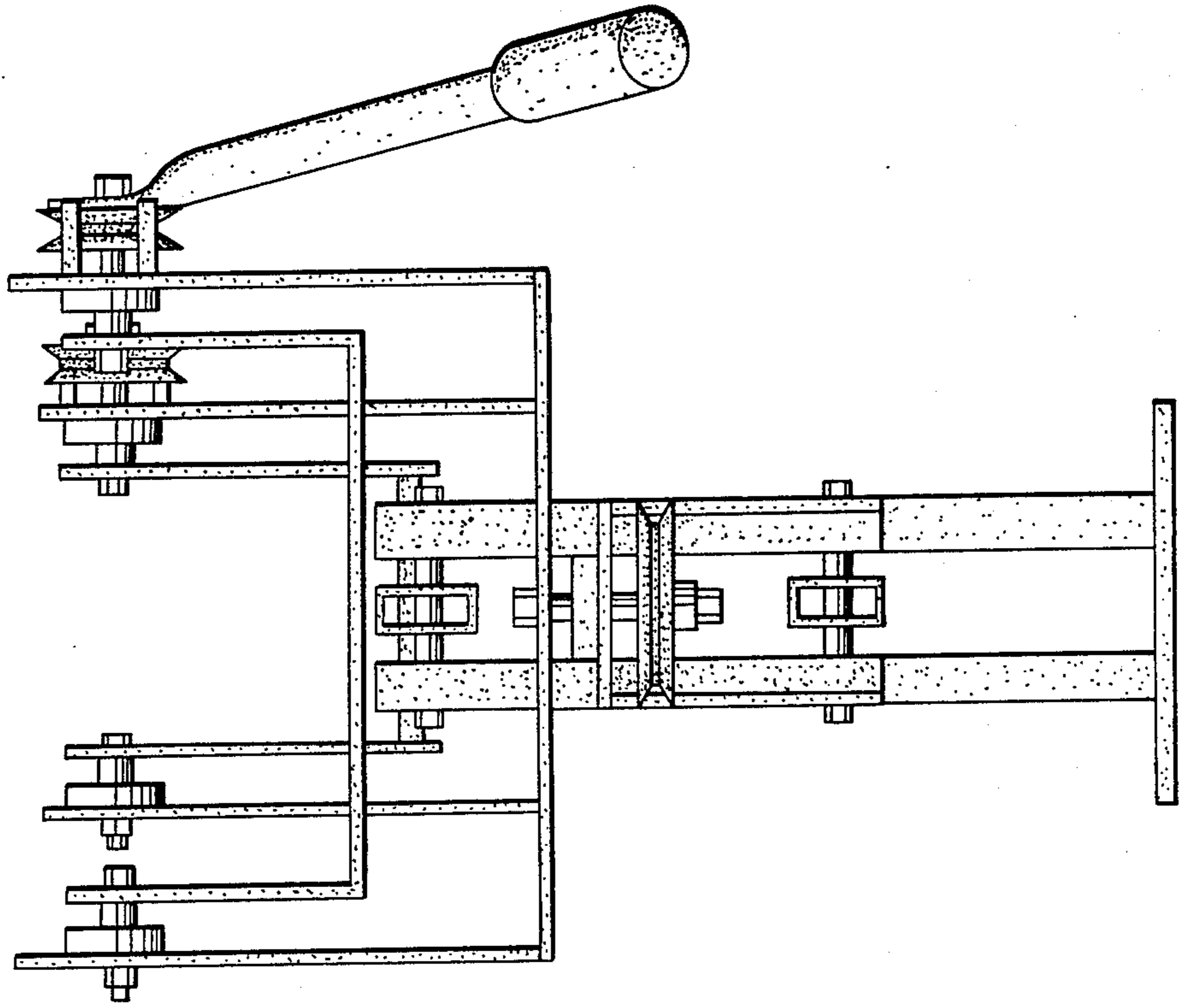


FIG. 5

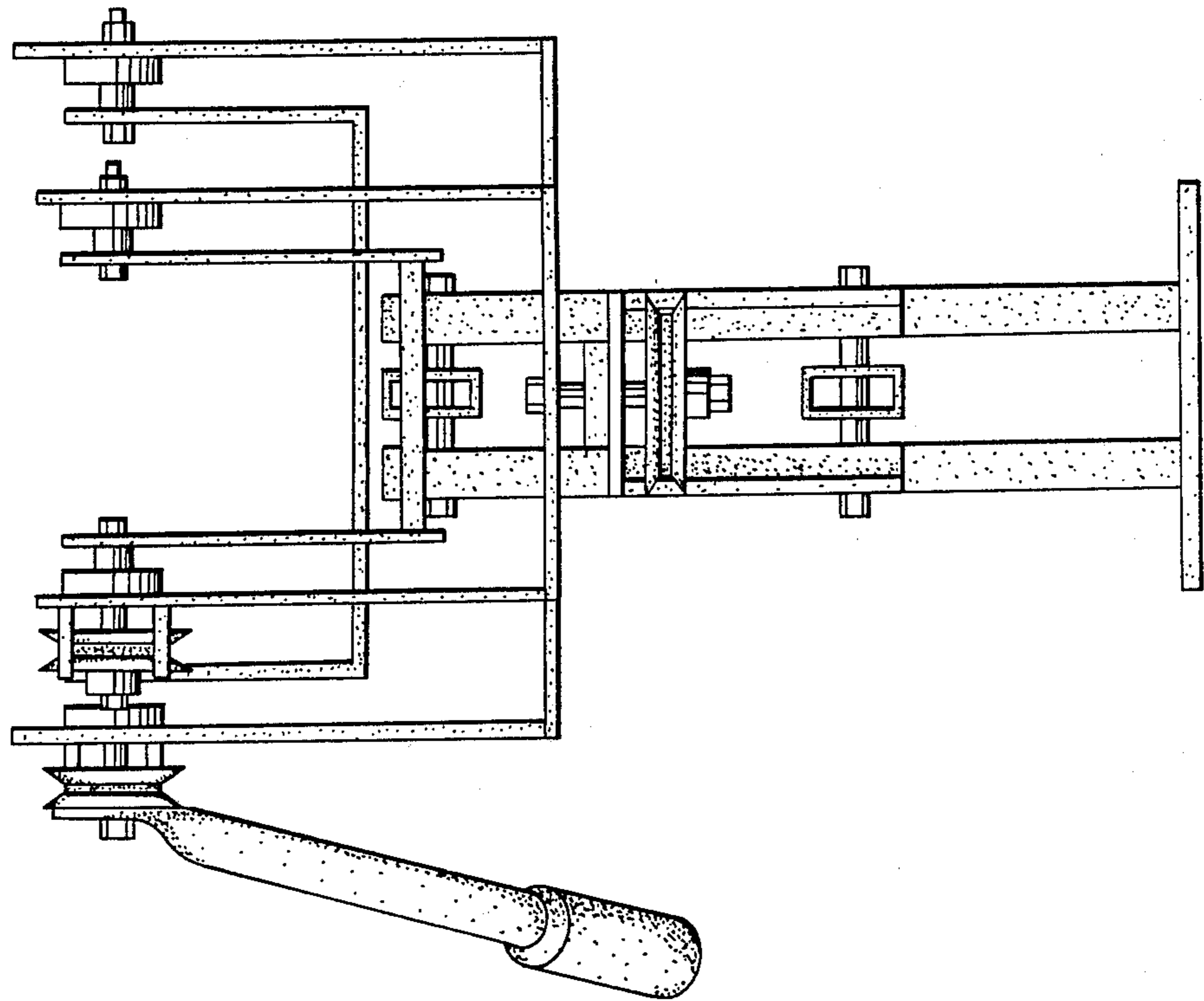


FIG. 4

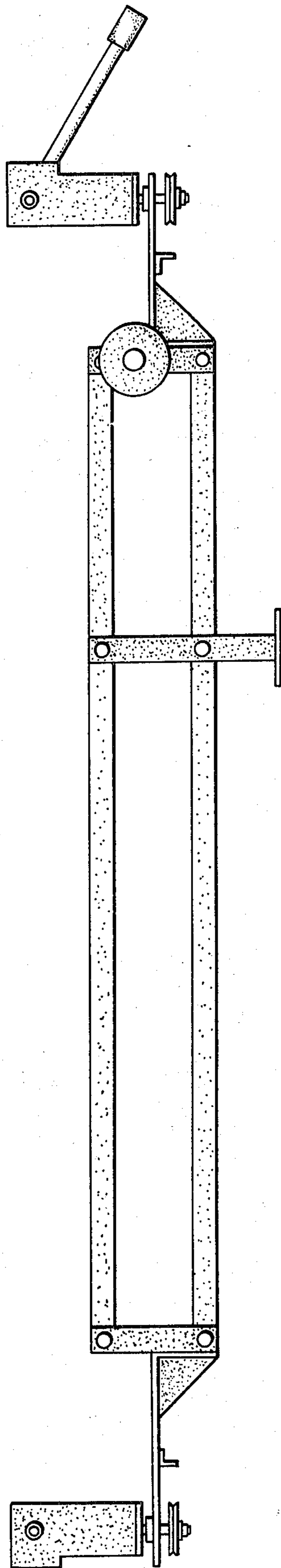


FIG. 6