

[54] QUILT FRAME

[76] Inventor: Evelyn Langford, 517 S. Mariposa St., Los Angeles, Calif. 90020

[**] Term: 14 Years

[21] Appl. No.: 348,590

[22] Filed: Feb. 12, 1982

[52] U.S. Cl. D15/66; D3/18; D3/20

[58] Field of Search D15/66; D3/18, 20; 38/102.4, 102.5, 102.6, 10.7, 102.91

[56] References Cited

U.S. PATENT DOCUMENTS

98,094 12/1869 Nicklin 38/102.6

257,942 5/1882 Hickman 38/102.4
999,847 8/1911 Oelkers 38/102.6
3,774,326 11/1973 Selden 38/102.4

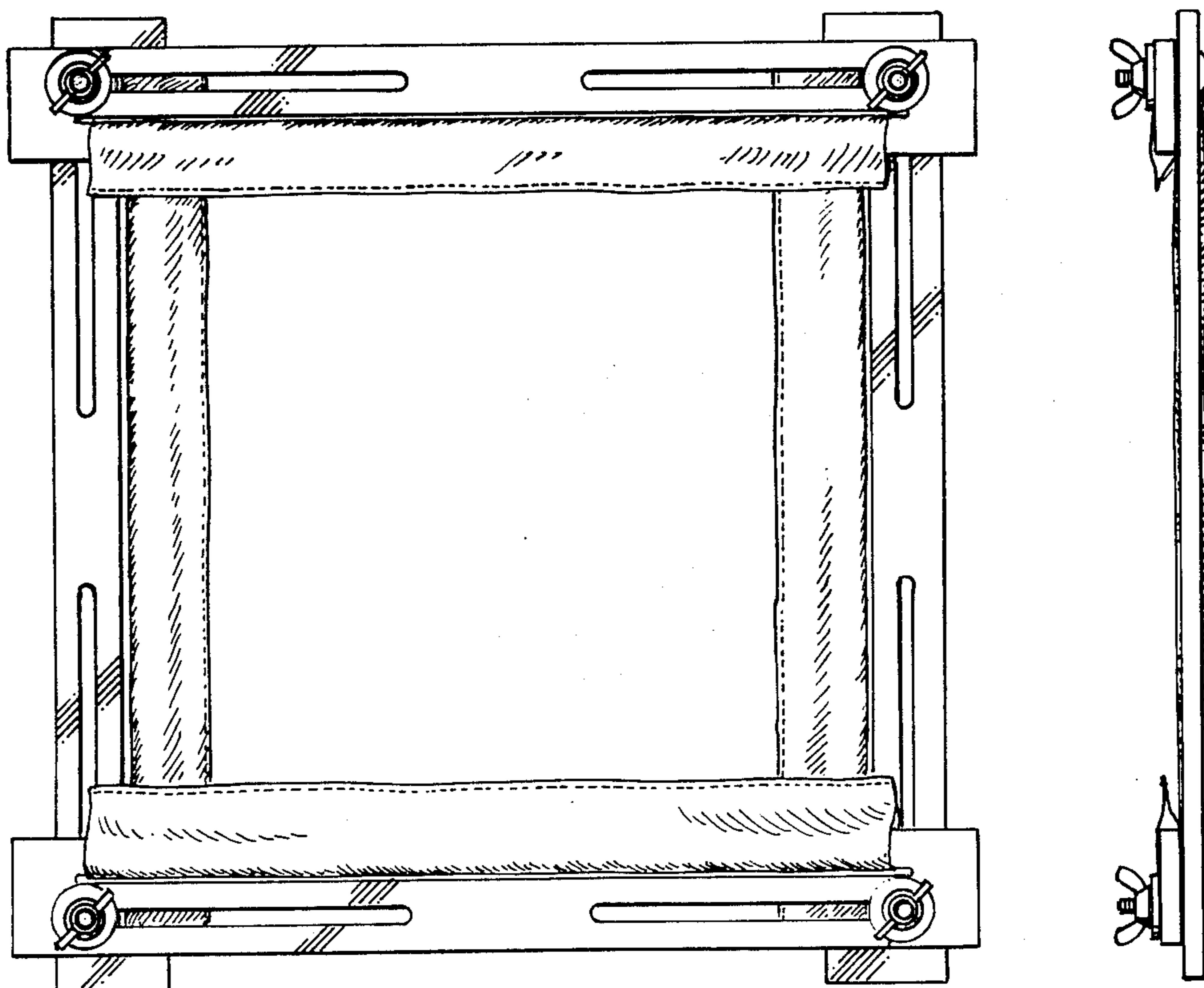
Primary Examiner—George P. Word
Assistant Examiner—Carmen H. Vales
Attorney, Agent, or Firm—Donald Diamond

[57] CLAIM

The ornamental design for a quilt frame, substantially as shown and described.

DESCRIPTION

FIG. 1 is a front elevational view of a quilt frame showing my new design;
FIG. 2 is a right side elevational view, the left side view being a mirror image thereof; and
FIG. 3 is a rear elevational view thereof.



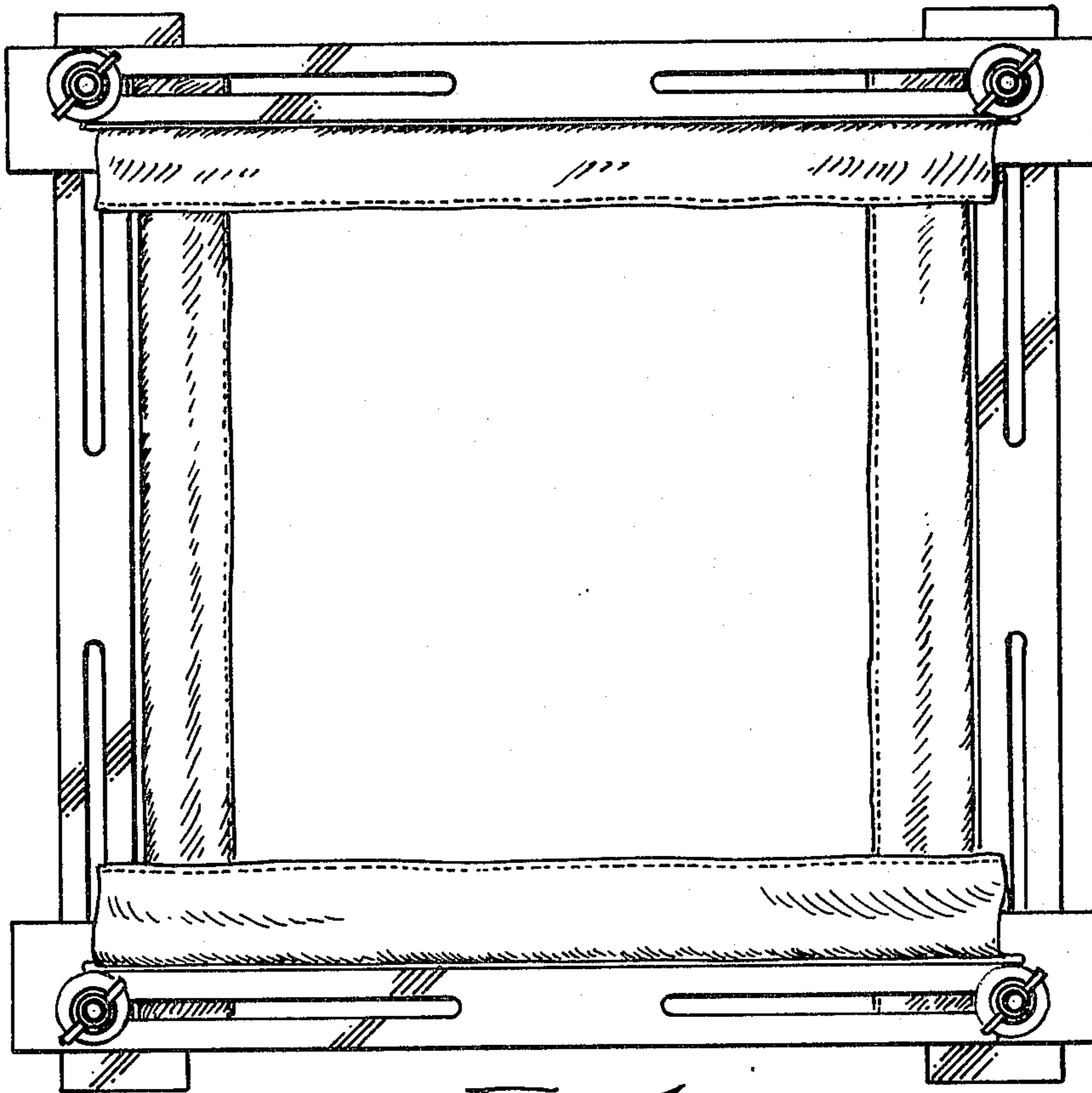


Fig. 1

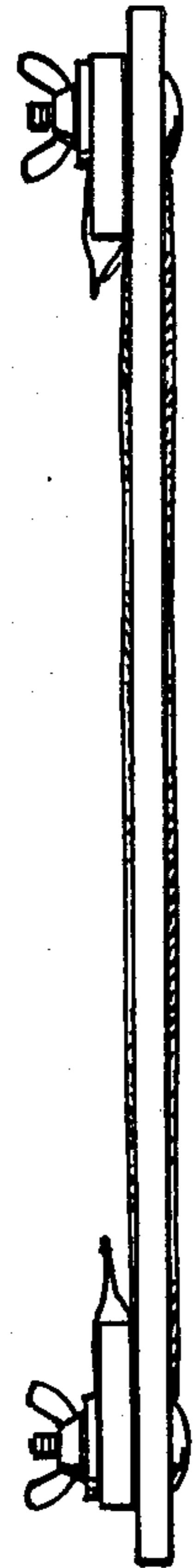


Fig. 2

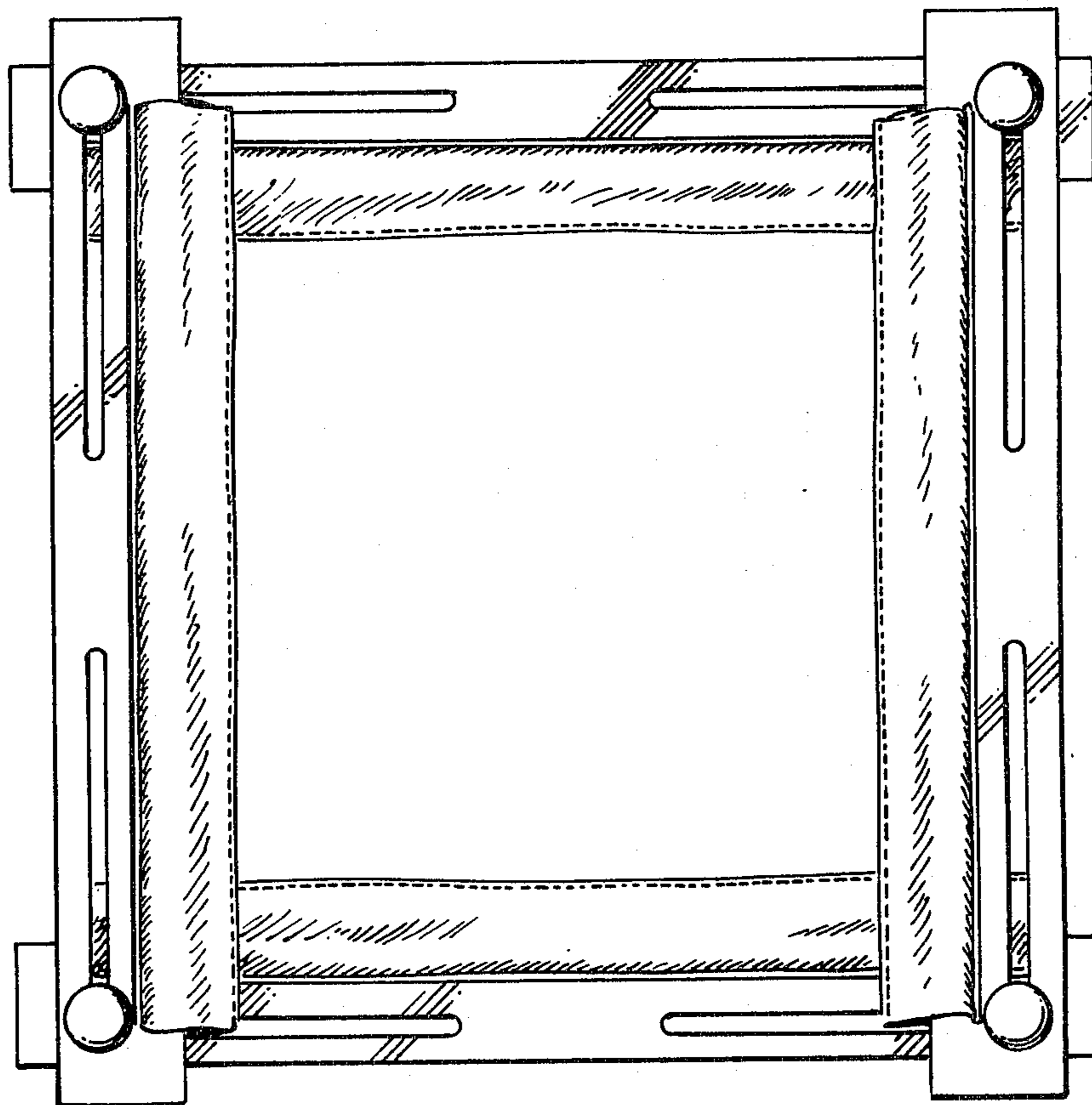


Fig. 3