

[54] PORTABLE ANTENNA GROUND SCORING UNIT FOR AIR TO GROUND GUNNERY

[75] Inventor: Hugh B. Feagle, Leeds, Ala.

[73] Assignee: Hayes International Corporation, Birmingham, Ala.

[**] Term: 14 Years

[21] Appl. No.: 355,460

[22] Filed: Mar. 8, 1982

[52] U.S. Cl. D14/86; D14/91

[58] Field of Search D14/86, 91; 343/840, 343/912

[56] References Cited

U.S. PATENT DOCUMENTS

2,850,735 9/1958 Harris 343/840
2,965,899 12/1960 Böhm et al. 343/840 X

Primary Examiner—Jane E. Corrigan
Attorney, Agent, or Firm—Woodford R. Thompson, Jr.

[57] CLAIM

The ornamental design for a portable antenna ground scoring unit for air to ground gunnery, as shown.

DESCRIPTION

FIG. 1 is a front elevational view of a portable antenna ground scoring unit for air to ground gunnery showing my new design;

FIG. 2 is a rear elevational view thereof;

FIG. 3 is a right side elevational view;

FIG. 4 is a left side elevational view;

FIG. 5 is a top plan view thereof; and,

FIG. 6 is a bottom view thereof.

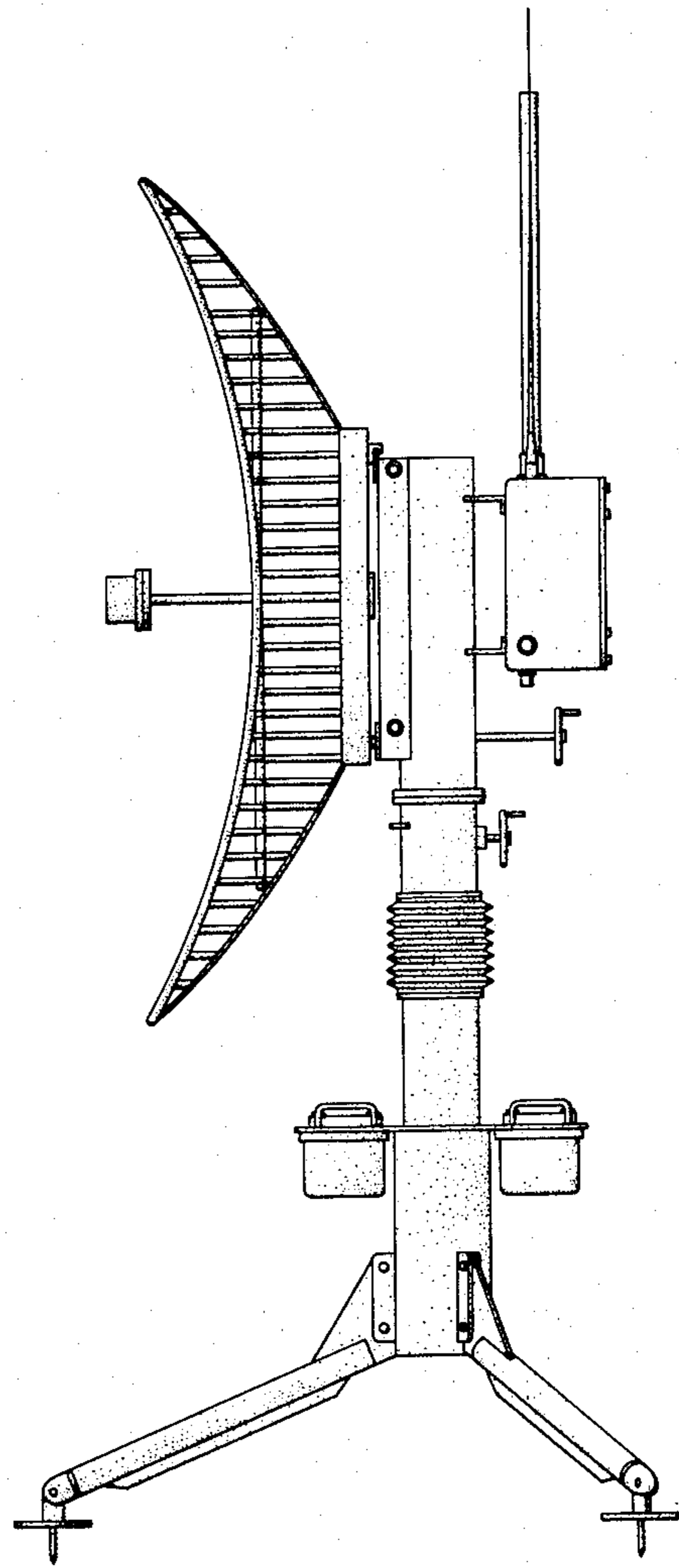
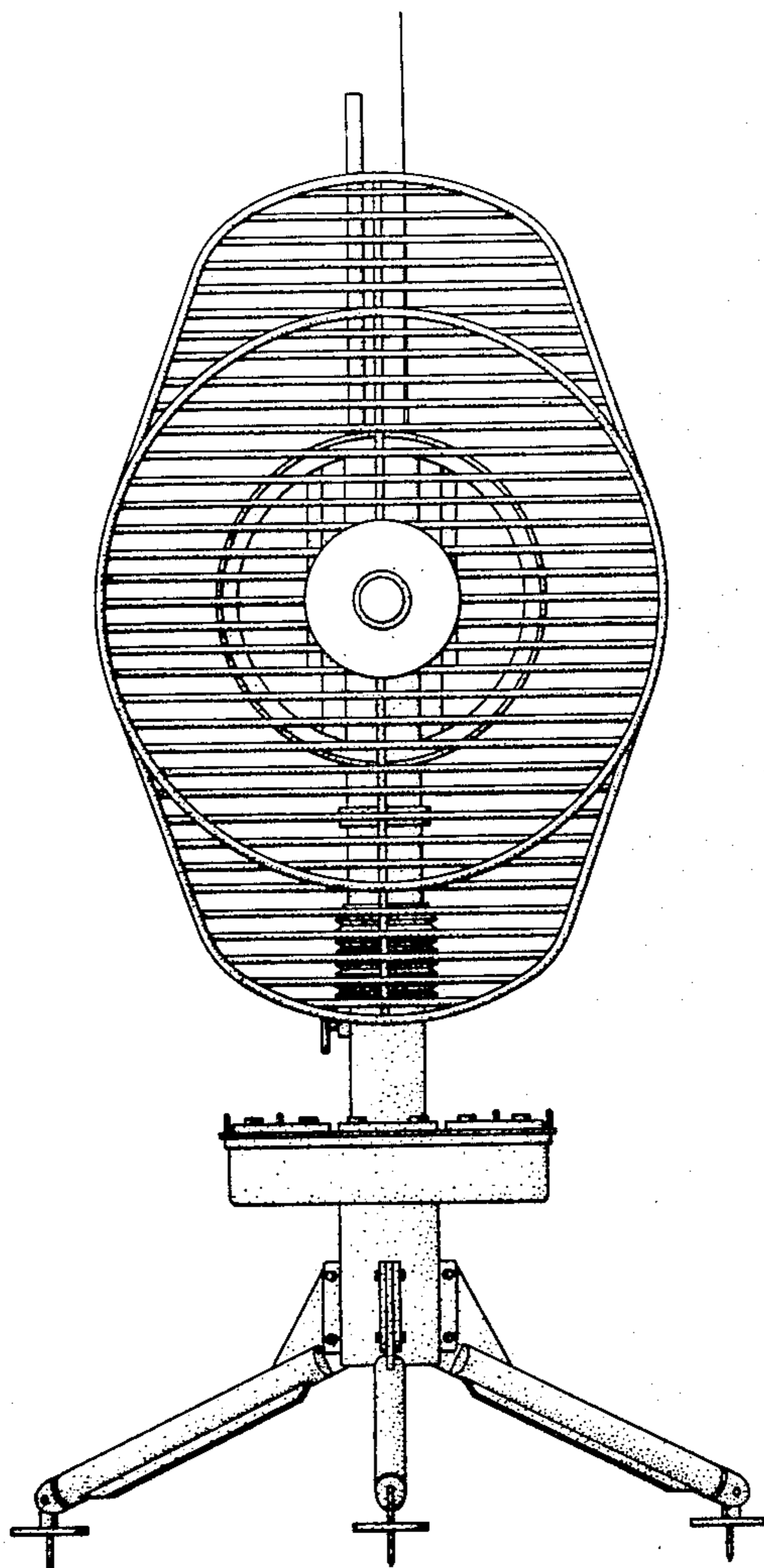


Fig. 1

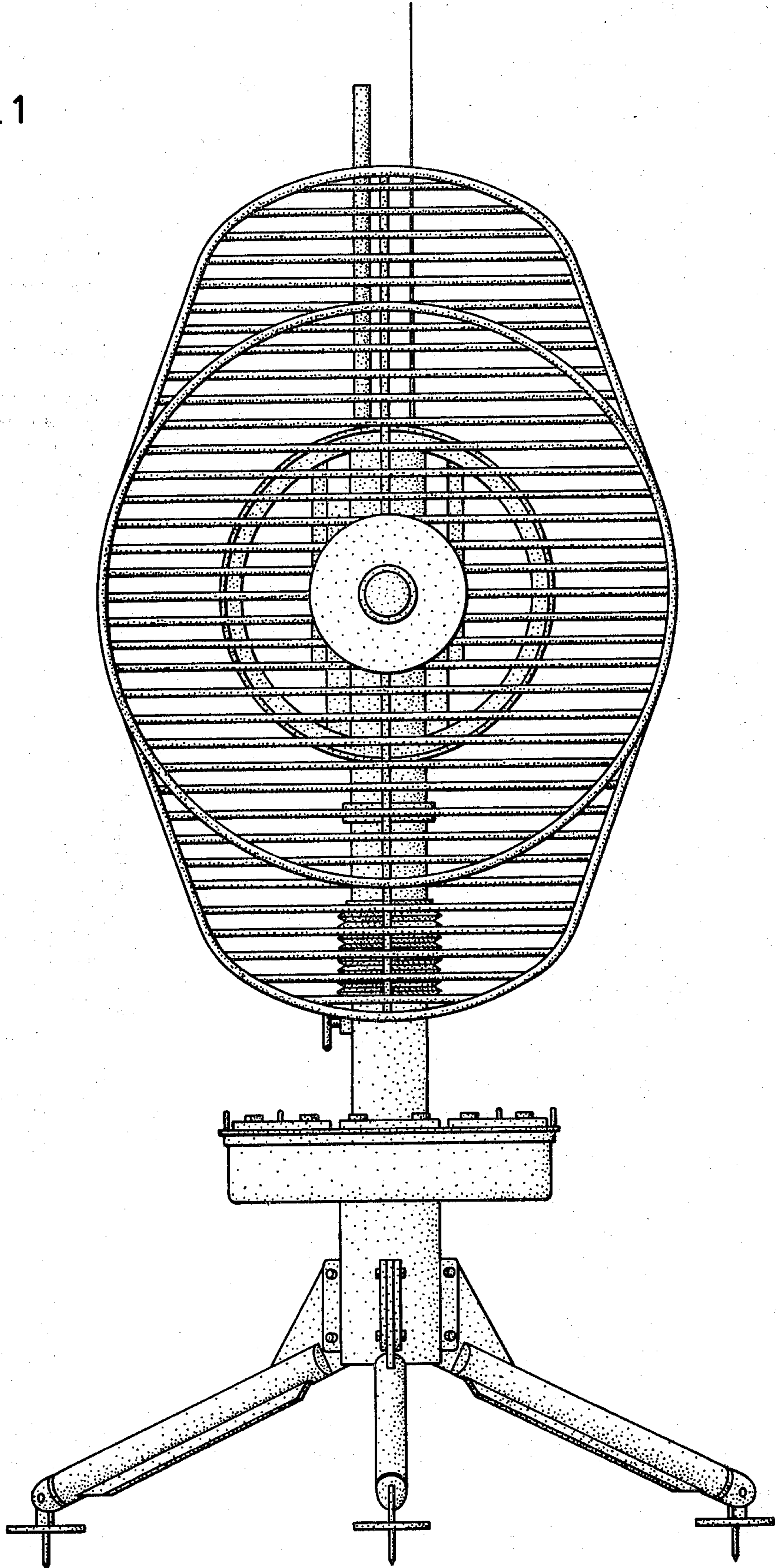


Fig. 2

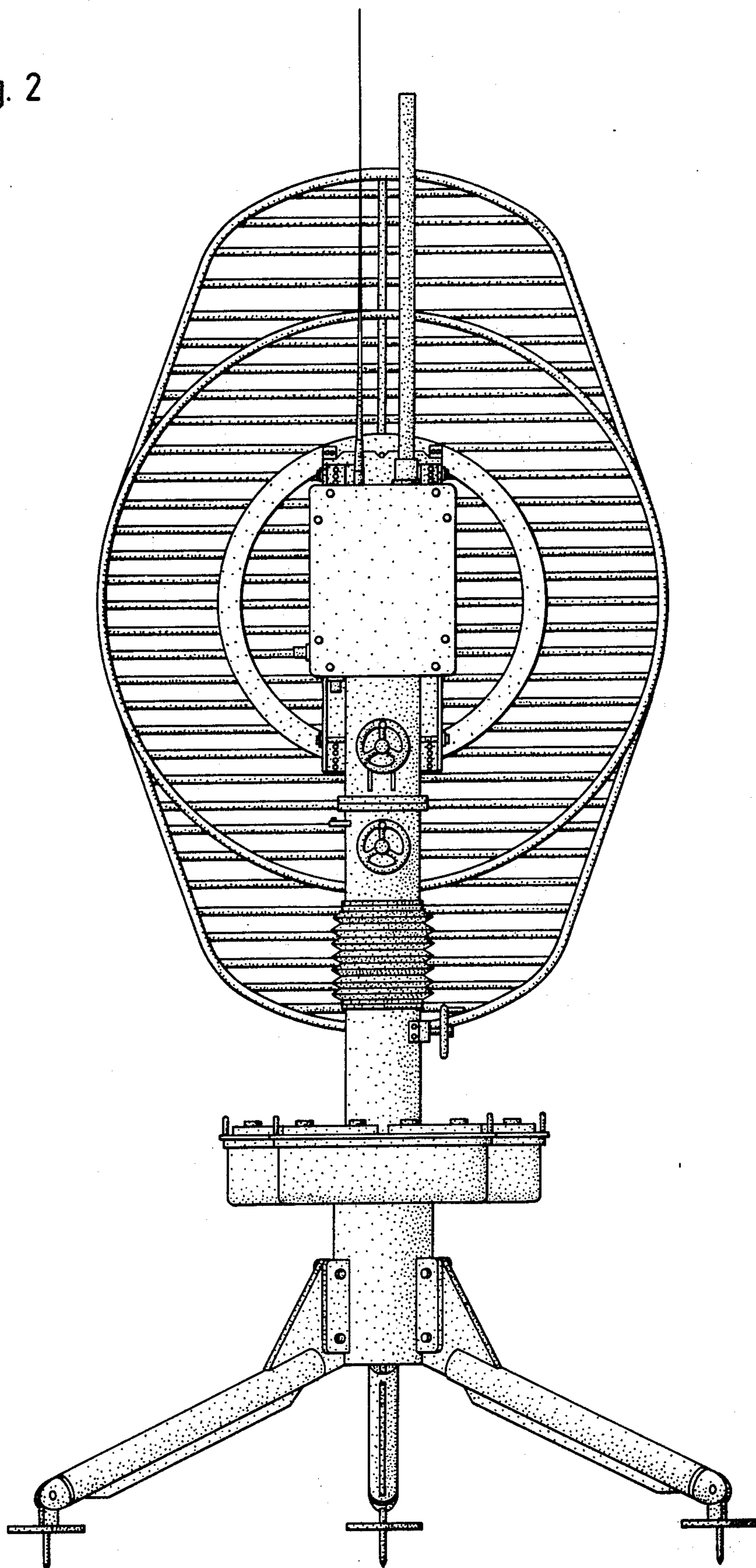


Fig. 3

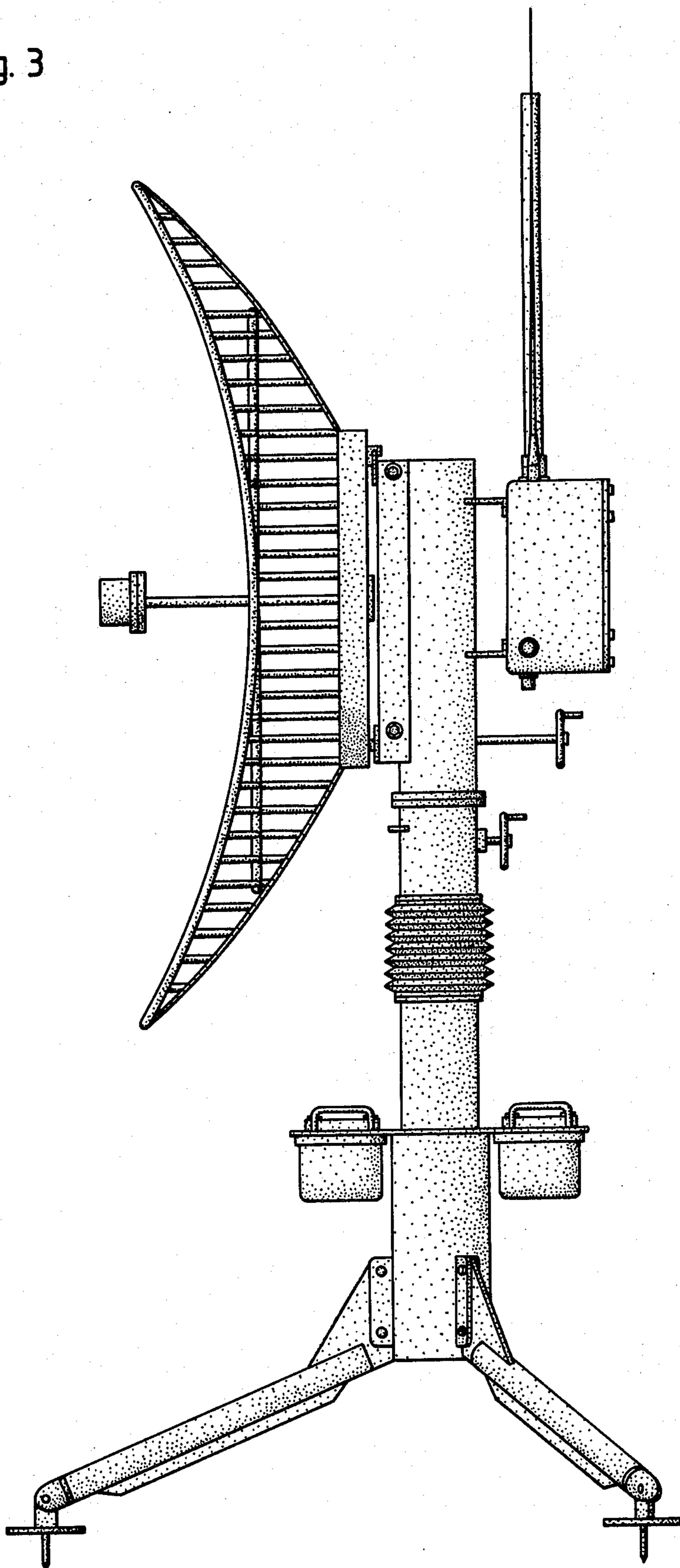


Fig. 4

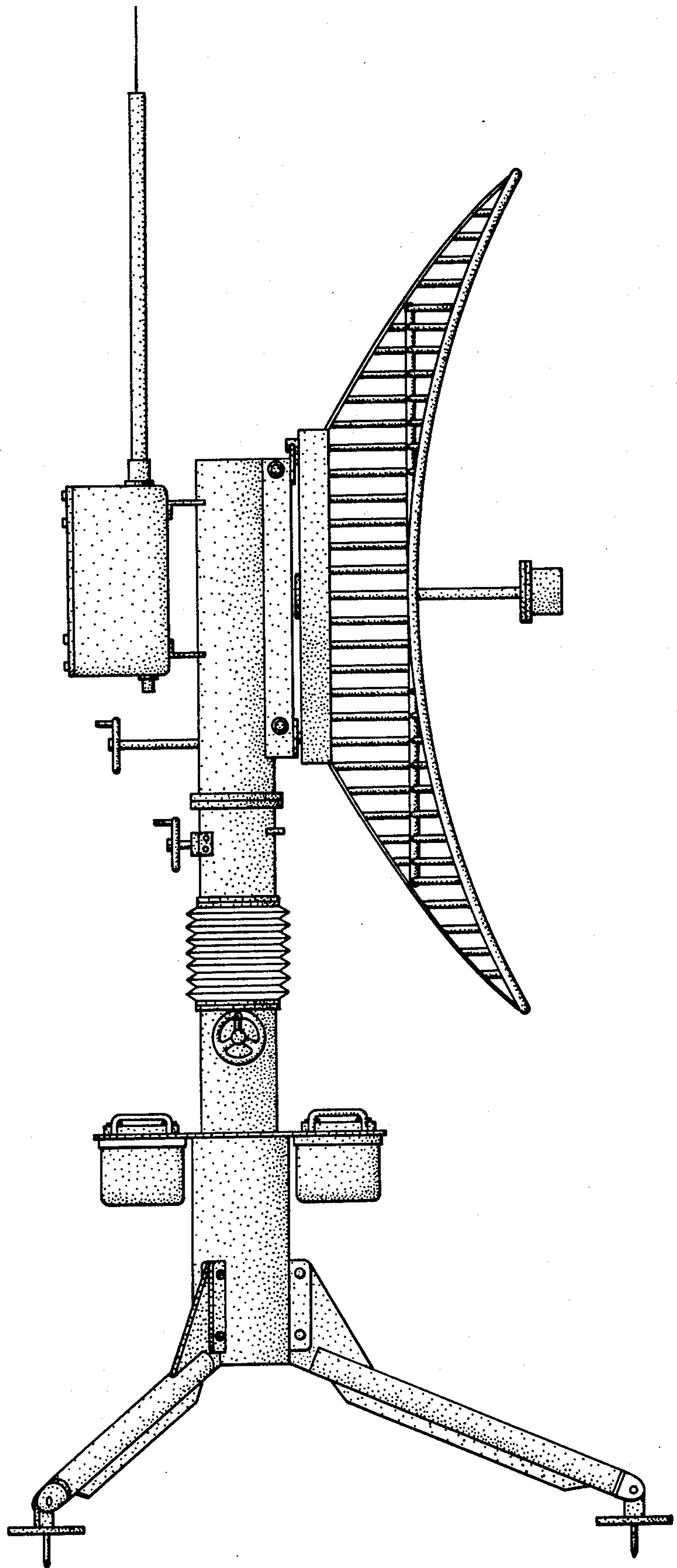


Fig. 5

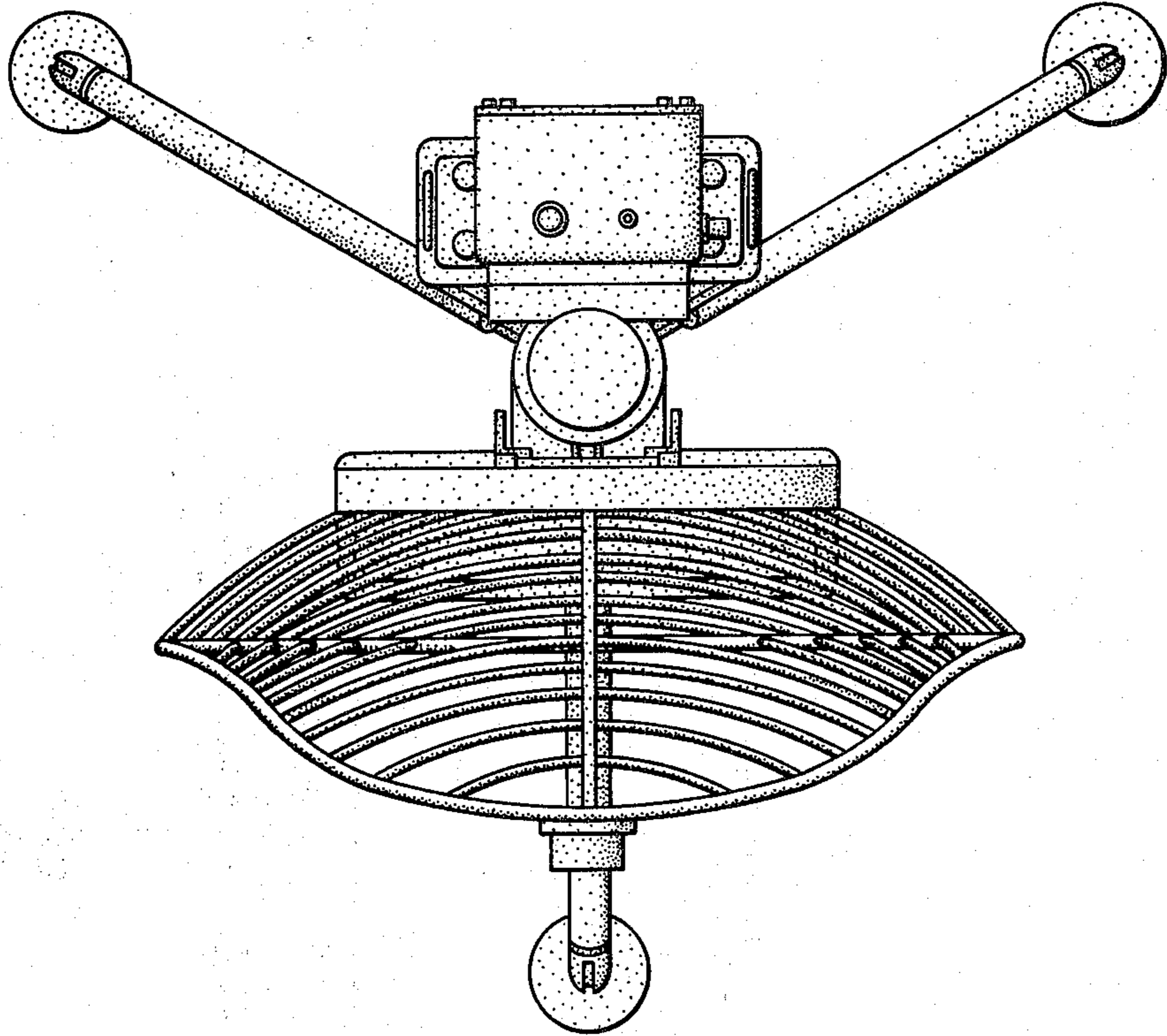


Fig. 6

