

[54] LUGGAGE CASE FOR MOTORCYCLE

[75] Inventor: Klaus V. Gevert, Munich, Fed. Rep. of Germany

[73] Assignee: Bayerische Motoren Werke AG, Fed. Rep. of Germany

[**] Term: 14 Years

[21] Appl. No.: 301,136

[22] Filed: Sep. 11, 1981

[30] Foreign Application Priority Data

Mar. 11, 1981 [DE] Fed. Rep. of Germany 12 442

[52] U.S. Cl. D12/158; D3/76

[58] Field of Search D12/158; D3/72, 76; 224/32 R, 32 A

[56] References Cited

U.S. PATENT DOCUMENTS

D. 247,326 2/1978 Warren, Jr. D12/158

OTHER PUBLICATIONS

Cycle World, 5/81, p. 106, Luggage Case, top left side of page.

Primary Examiner—James M. Gandy
Attorney, Agent, or Firm—Craig & Burns

[57] CLAIM

The ornamental design for a luggage case for motorcycle, substantially as shown and described.

DESCRIPTION

FIG. 1 is a perspective view of a luggage case for a motorcycle showing my new design; FIG. 2 is a side elevational view thereof; FIG. 3 is a side elevational view thereof opposite to that shown in FIG. 2; FIG. 4 is a bottom plan view thereof; FIG. 5 is a top plan view thereof; FIG. 6 is an end elevational view thereof; and FIG. 7 is an end elevational view thereof opposite to that shown in FIG. 6.

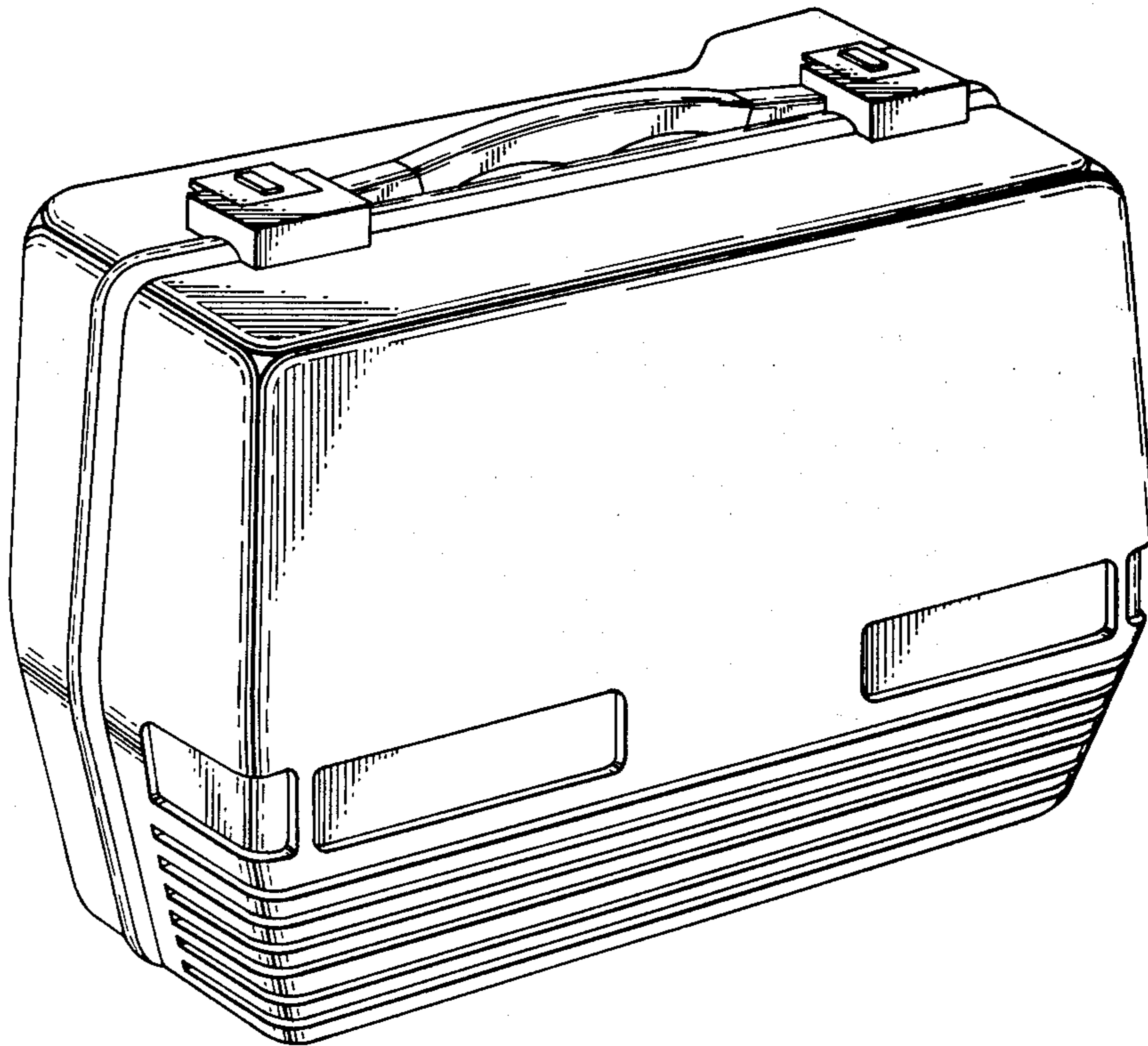


FIG. 1.

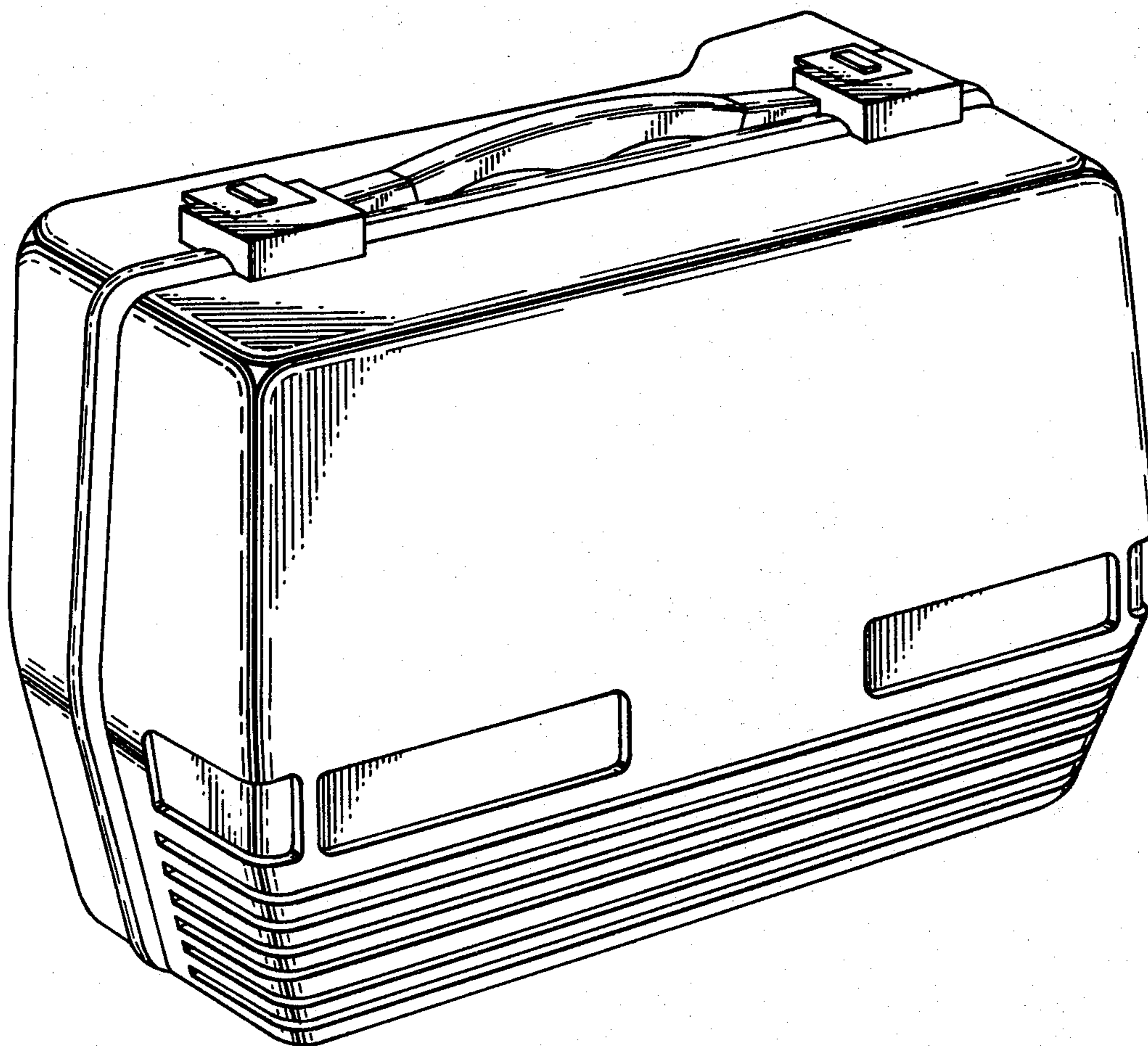


FIG. 2.

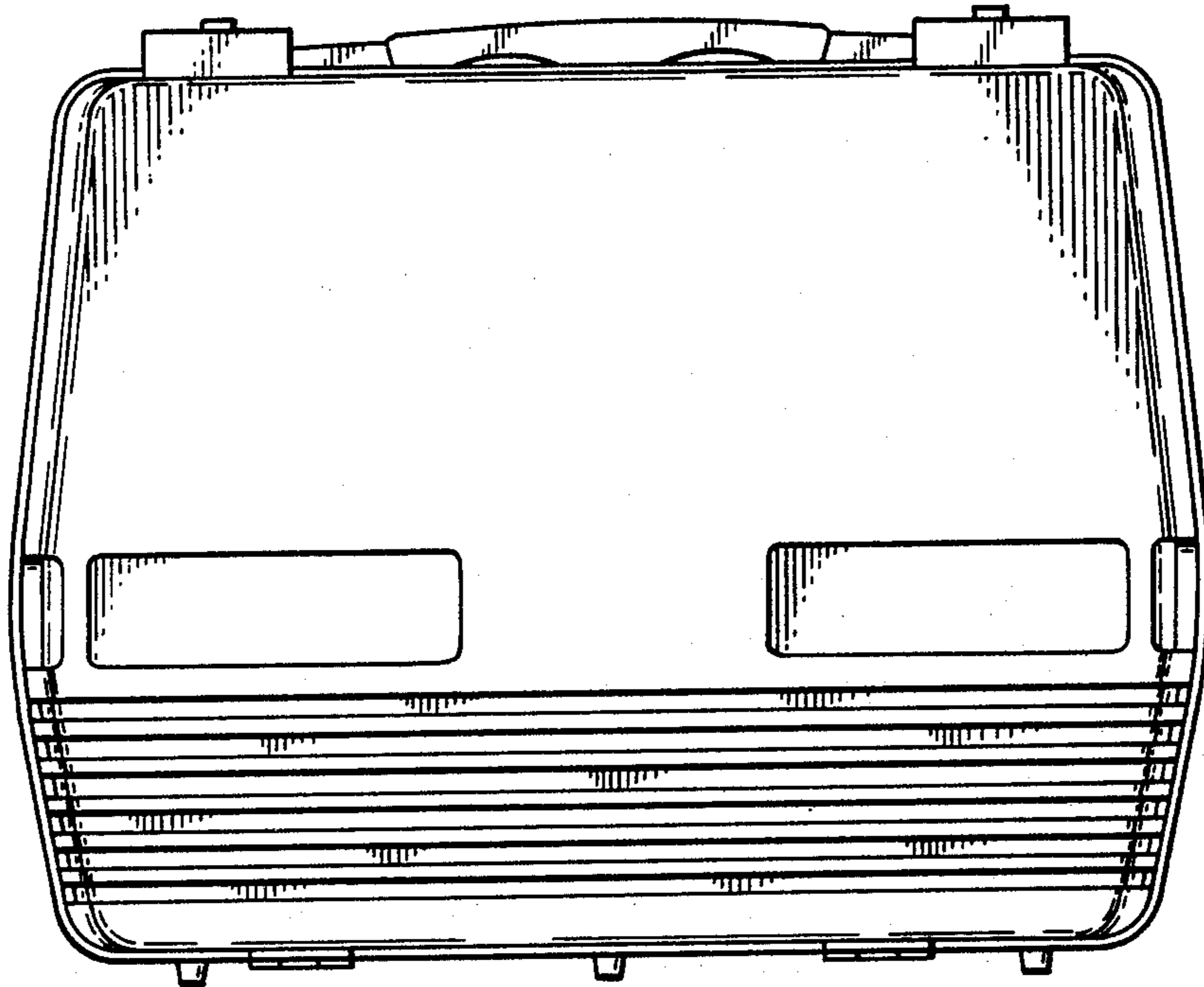


FIG. 3.

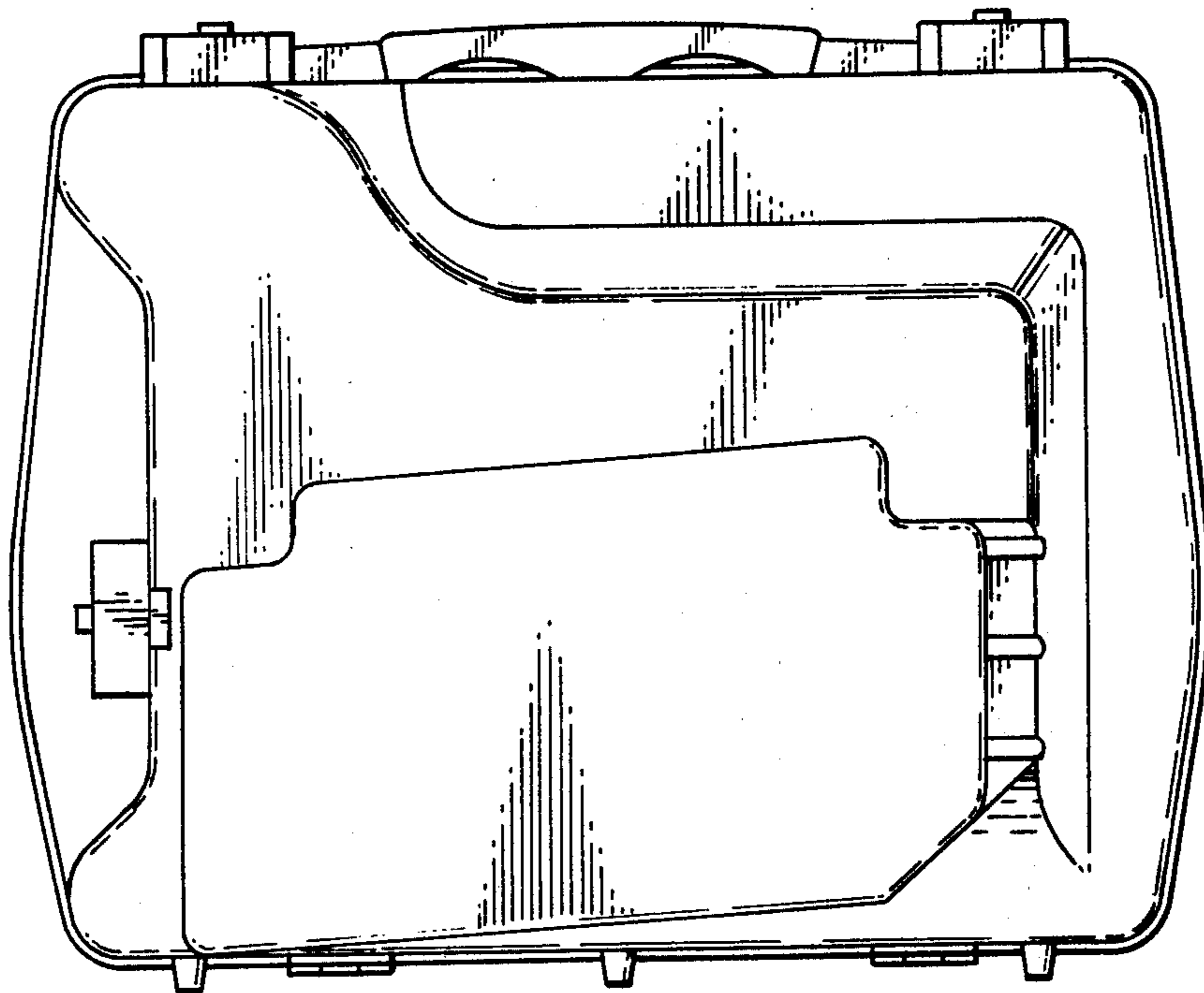


FIG. 4.

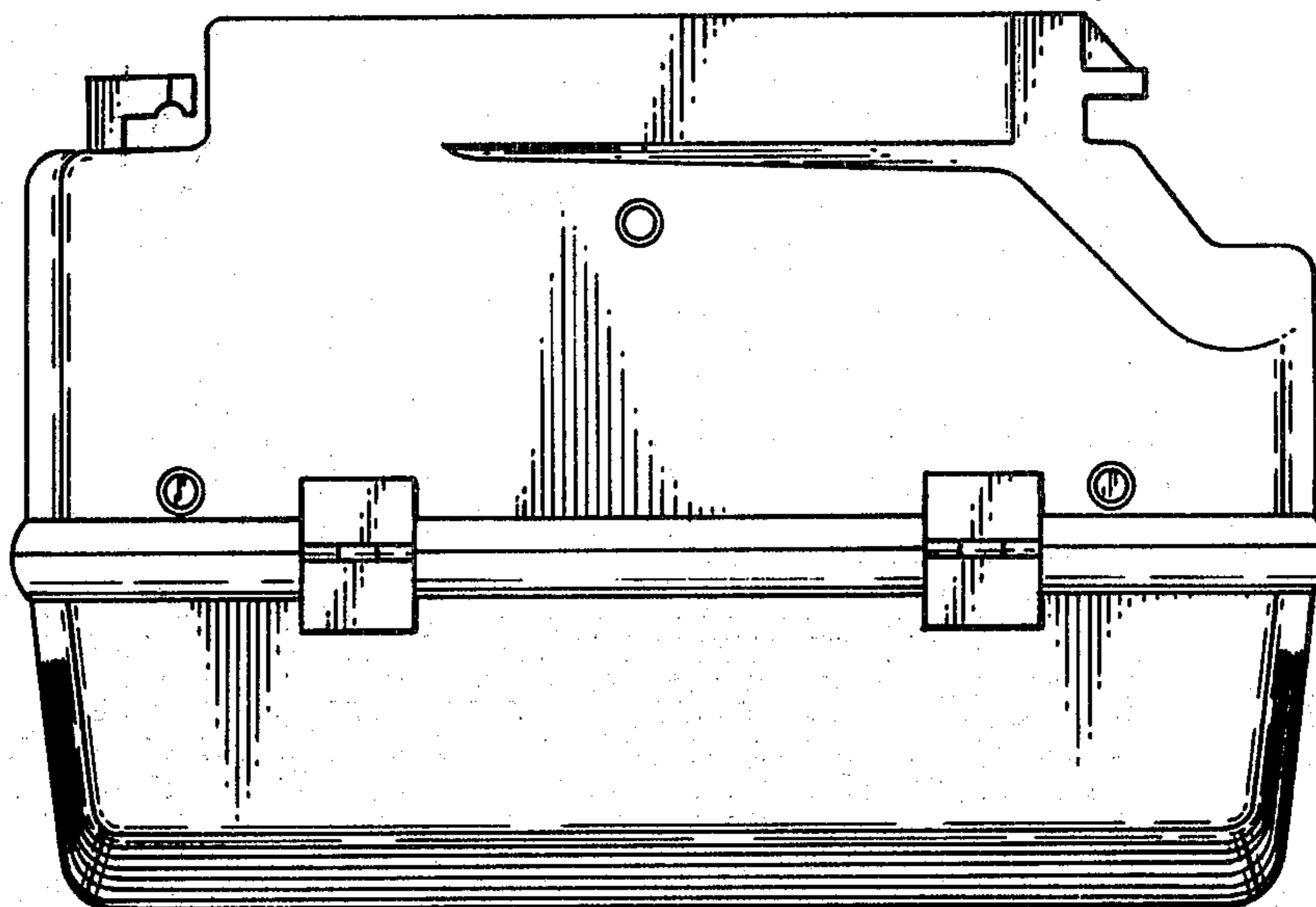


FIG. 5.

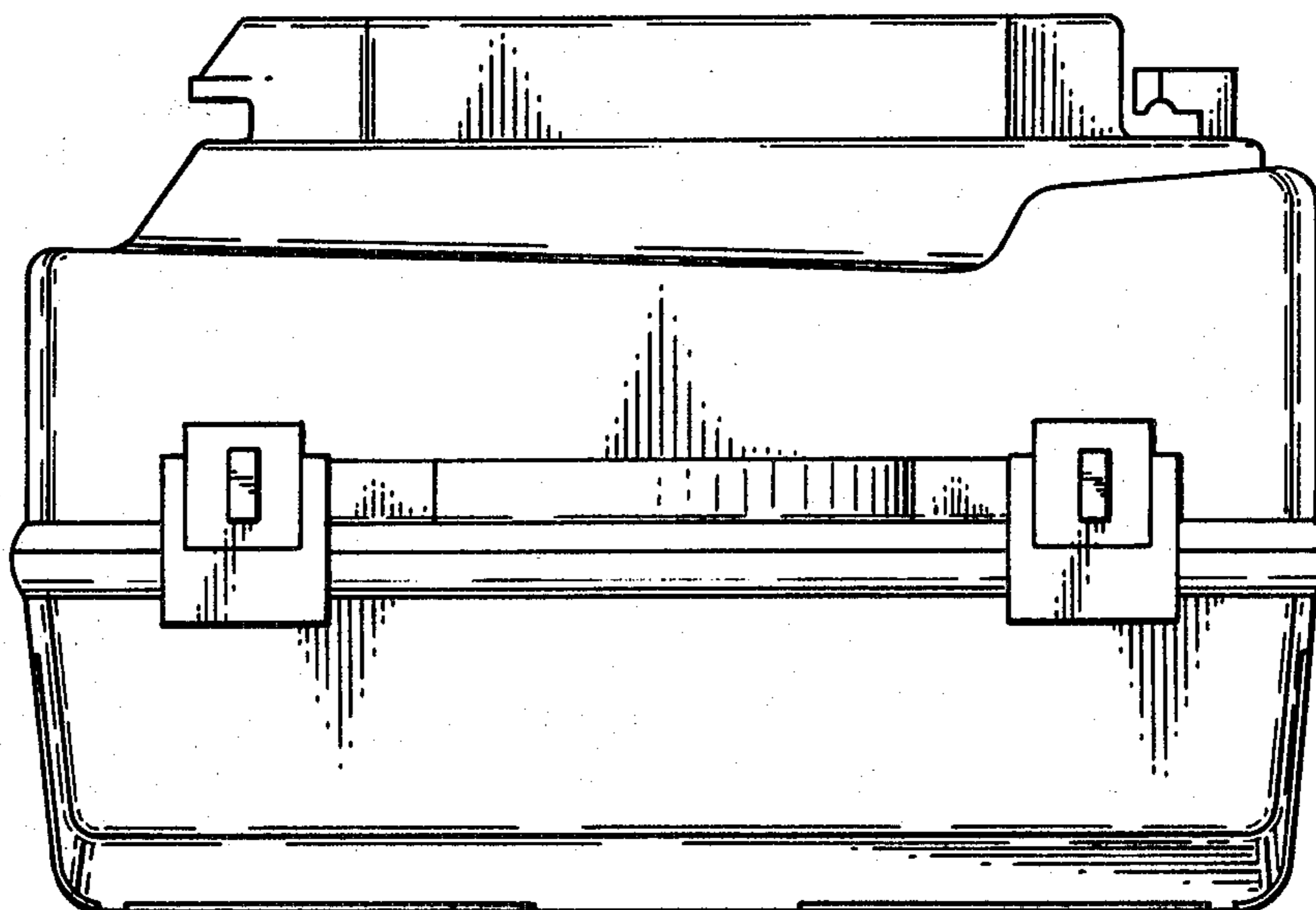


FIG. 6.

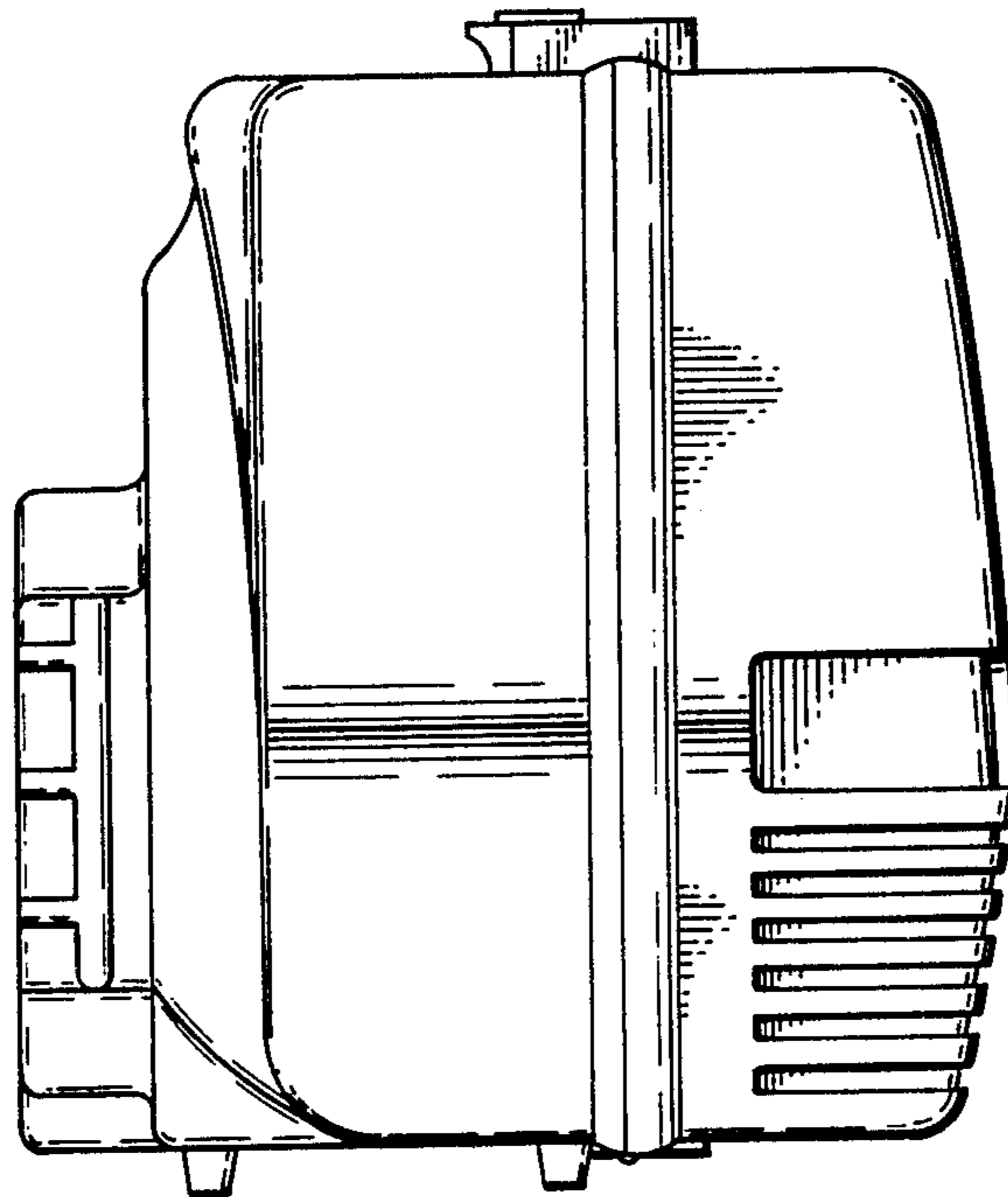


FIG. 7.

