

[54] AUTOMOTIVE VEHICLE

[75] Inventor: Gordon M. Buehrig, Grosse Pointe Woods, Mich.

[73] Assignee: Richard P. Kughn, Detroit, Mich. ; a part interest

[**] Term: 14 Years

[21] Appl. No.: 316,874

[22] Filed: Oct. 30, 1981

[52] U.S. Cl. D12/91

[58] Field of Search D12/91, 85, 100, 99; 296/185; 180/210, 211, 215

[56] References Cited

U.S. PATENT DOCUMENTS

D. 260,627 9/1981 Smith, Jr. D12/91

OTHER PUBLICATIONS

American Bicyclist & Motorcyclist, 9/81, p. 71, Swedish Electric 3 Wheel Vehicle, top right side of page.

Popular Mechanics, 12/77, p. 99, Trans-Van, bottom left side of page.

Primary Examiner—James M. Gandy
Attorney, Agent, or Firm—Harness, Dickey & Pierce

[57] CLAIM

The ornamental design for an automotive vehicle, as shown and described.

DESCRIPTION

FIG. 1 is a perspective view showing the front, top and left side of an automotive vehicle embodying the novel design of this invention;

FIG. 2 is a front elevational view thereof;

FIG. 3 is a rear elevational view thereof;

FIG. 4 is a perspective view showing the rear, top and right side thereof;

FIG. 5 is a top plan view thereof;

FIG. 6 is a side elevational view showing the left side thereof; and

FIG. 7 is a side elevational view showing the right side thereof.

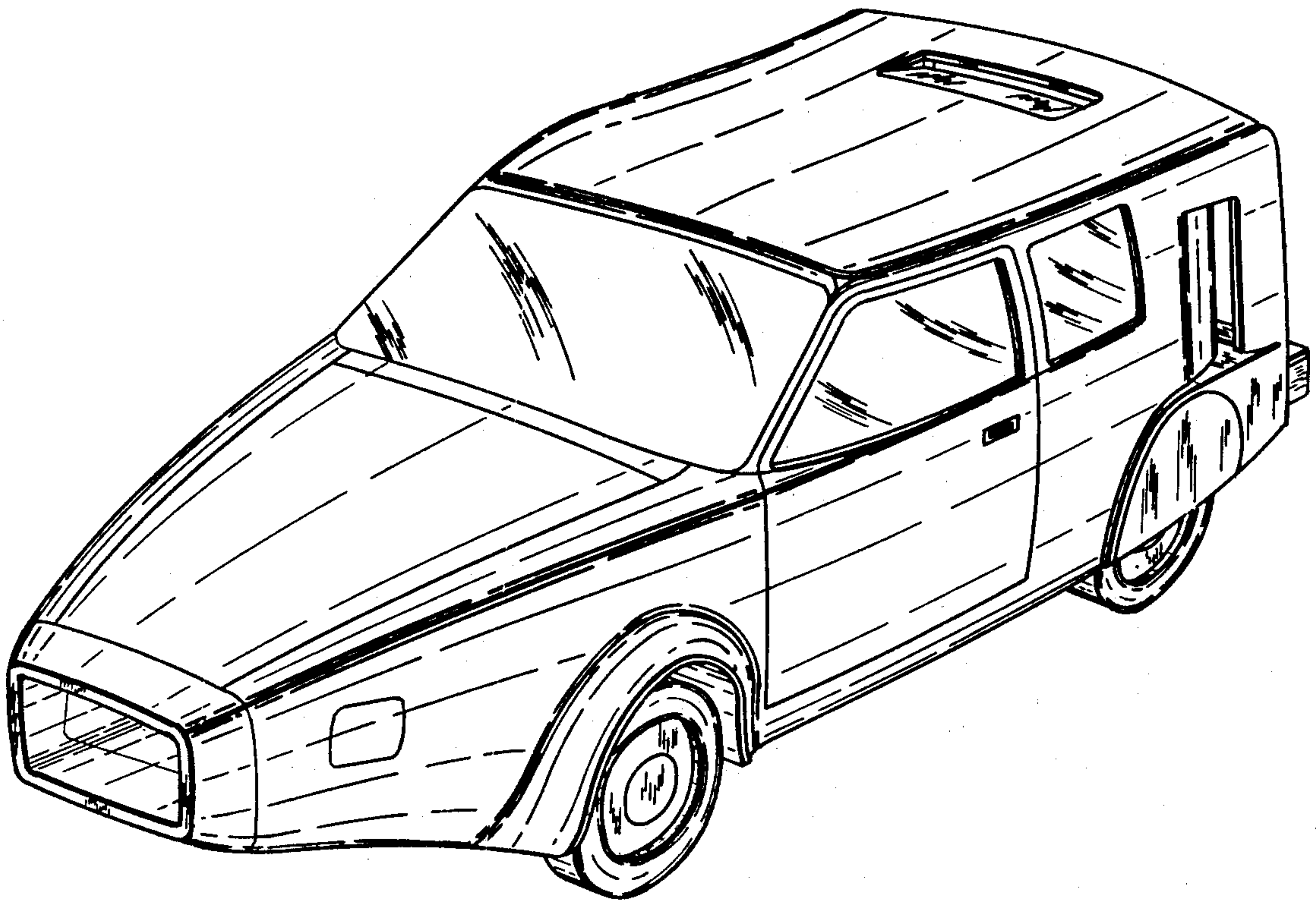


FIG. 1.

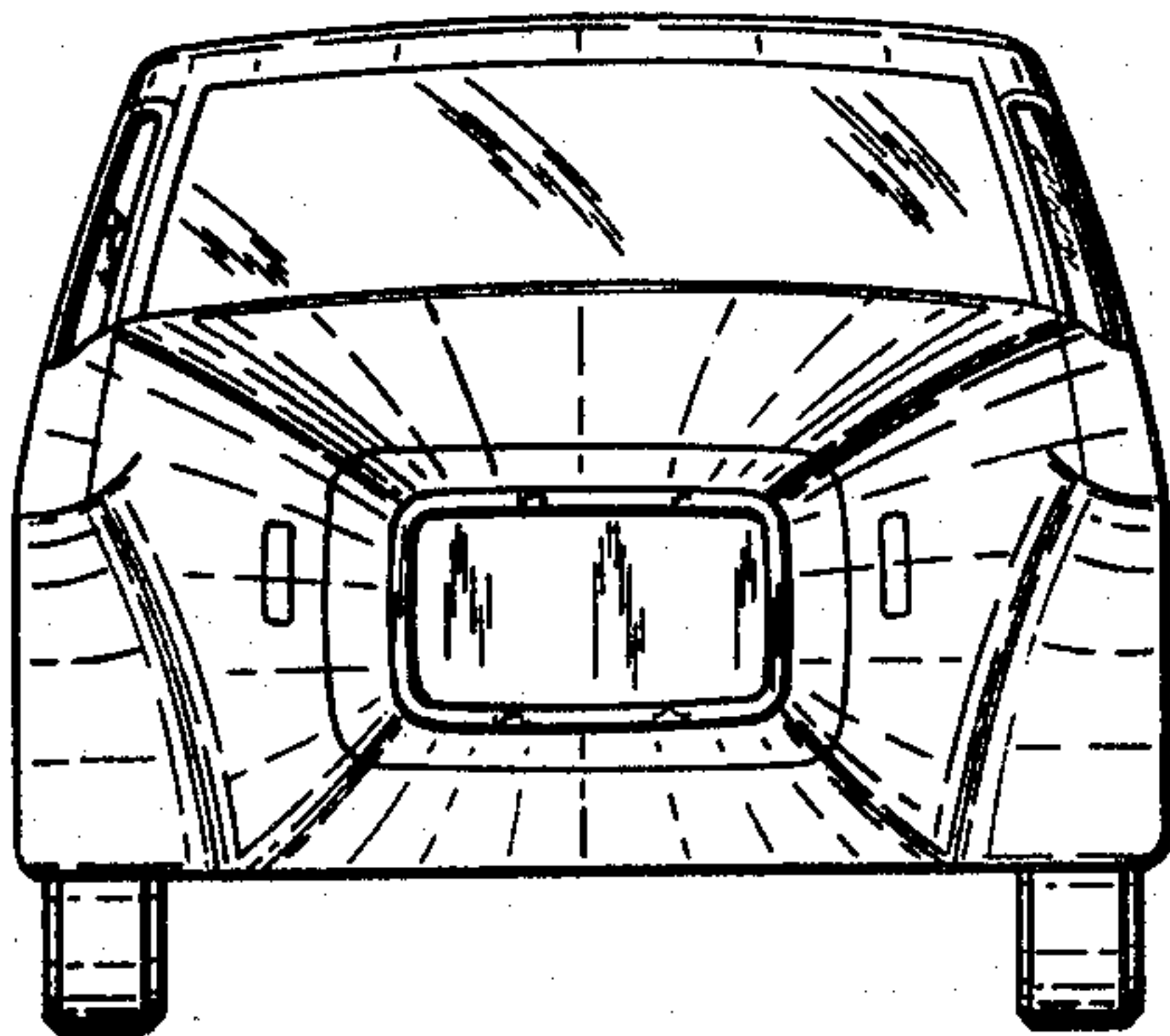
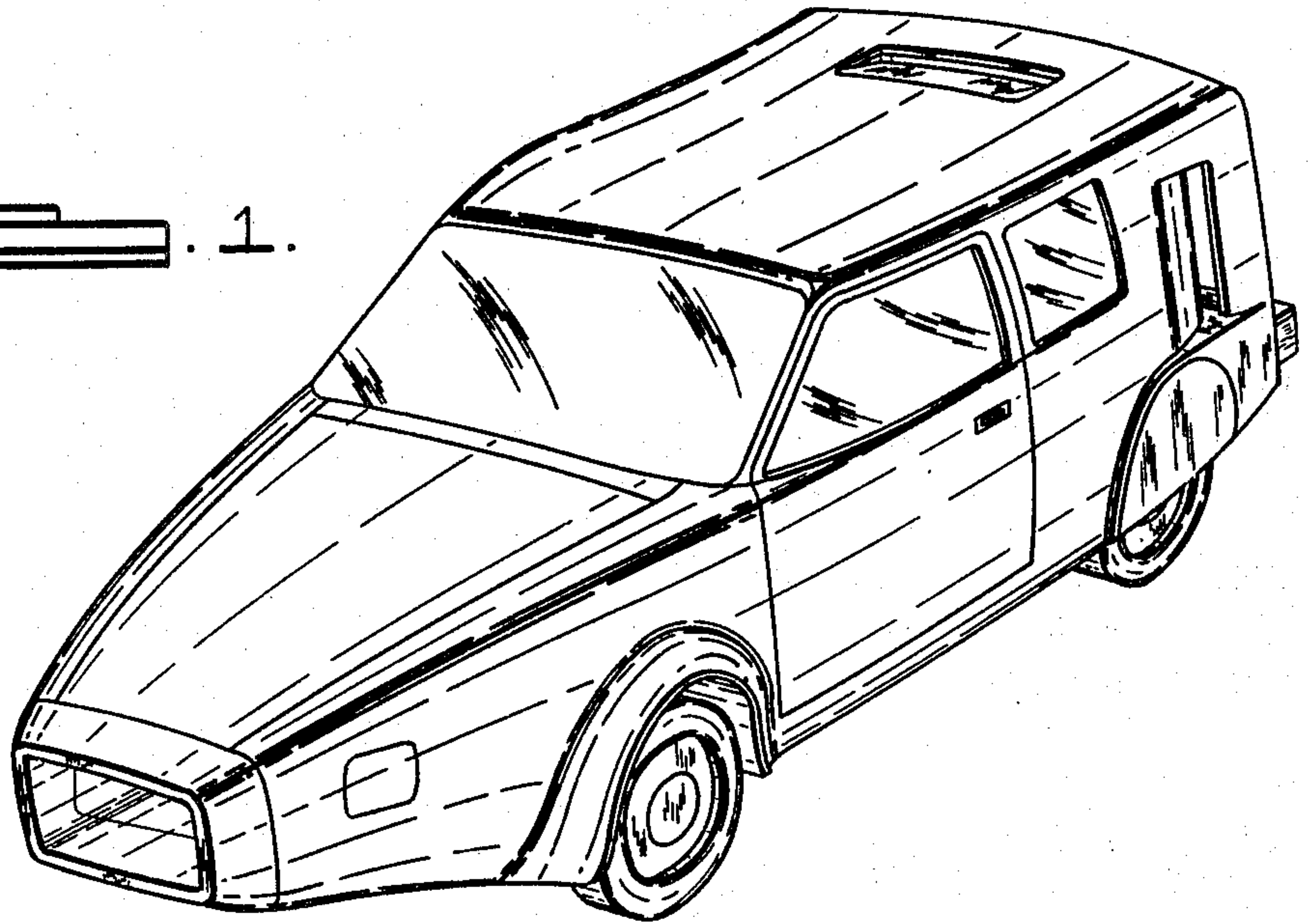


FIG. 2.

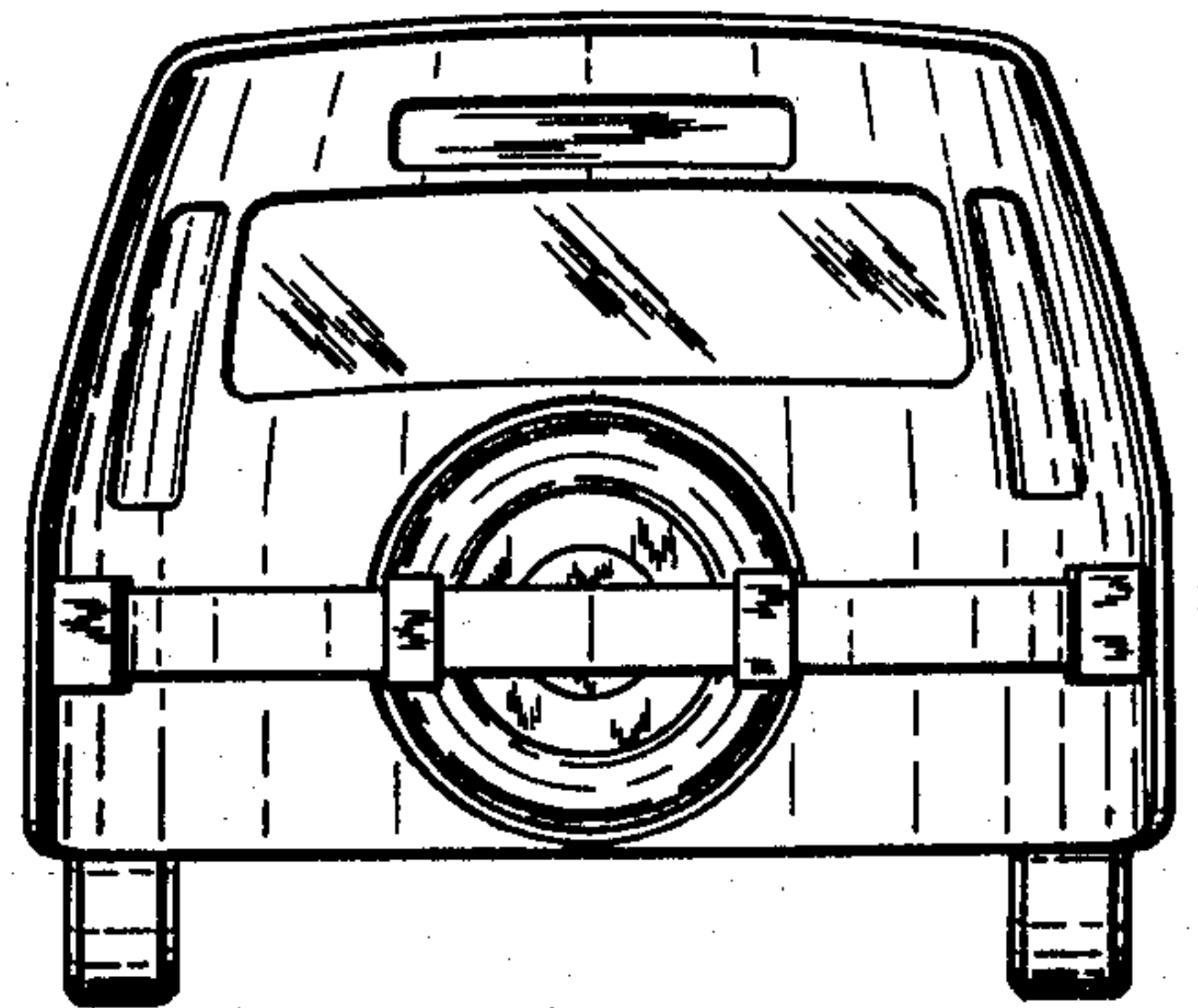


FIG. 3.

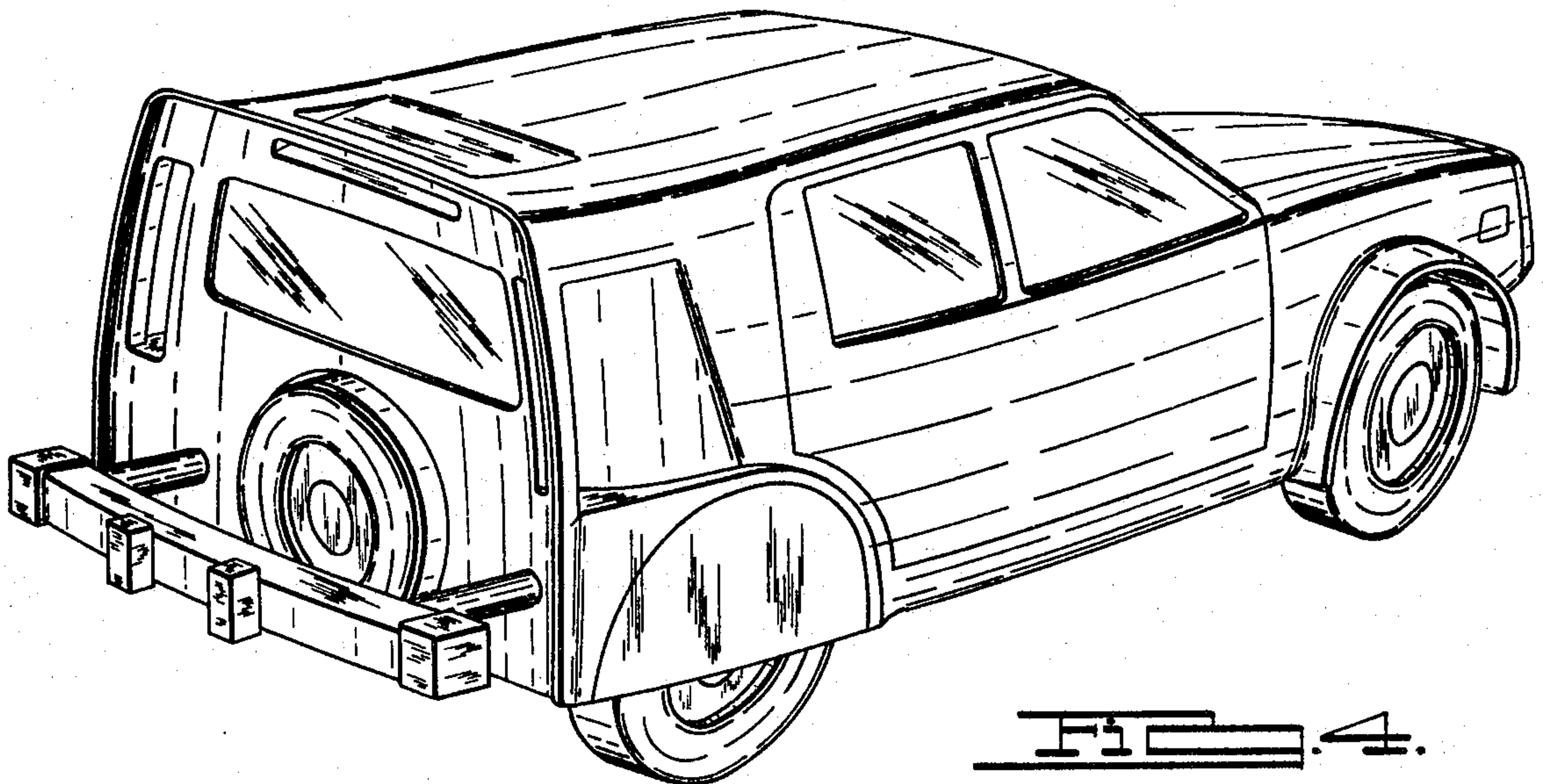


FIG. 4.

FIG. 5.

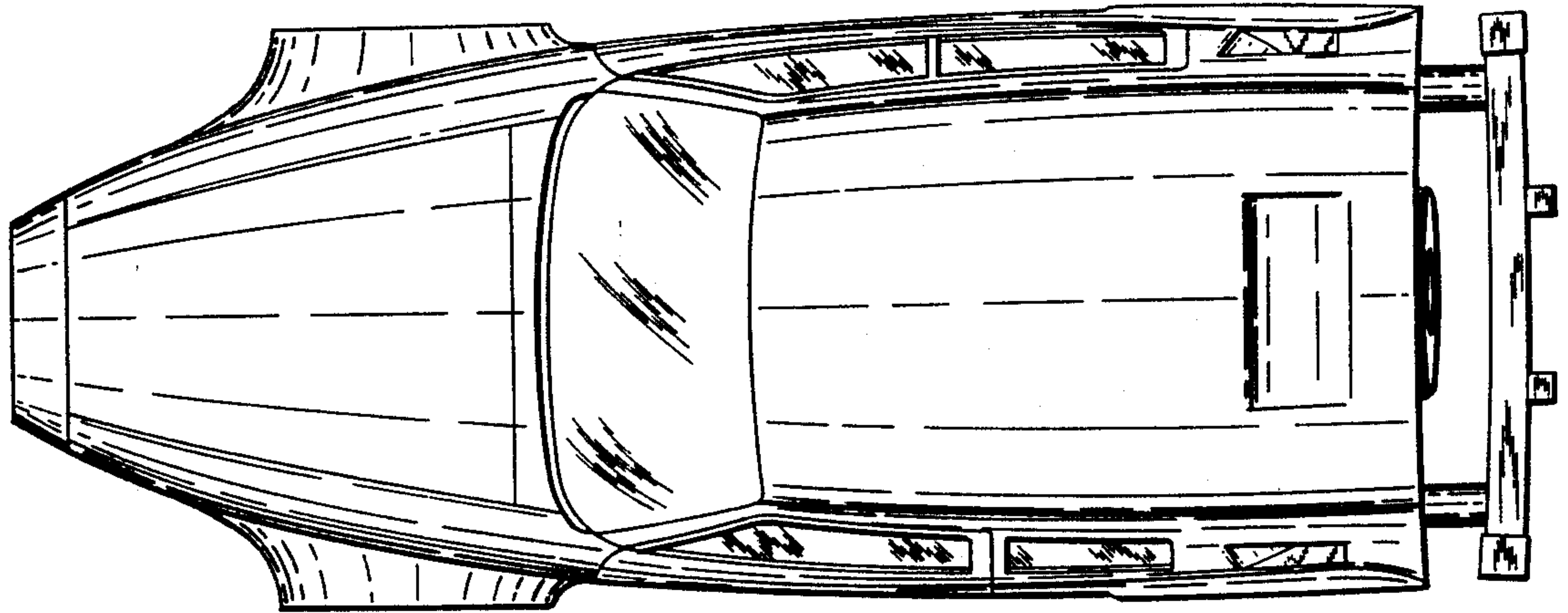


FIG. 6.

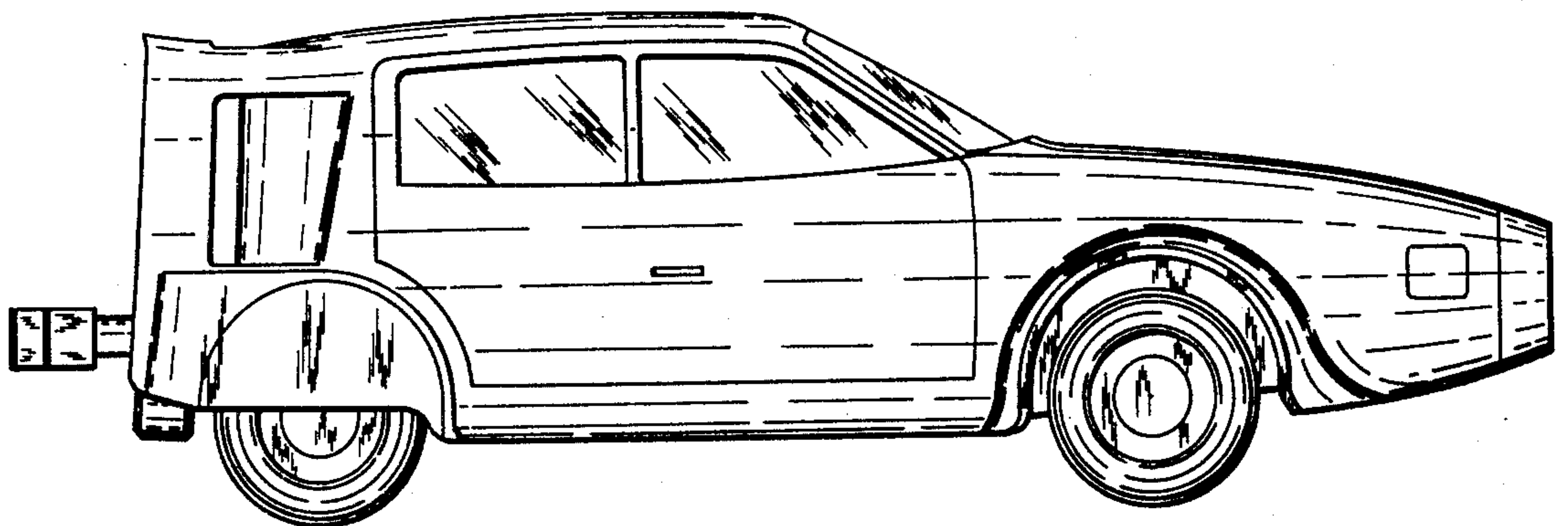
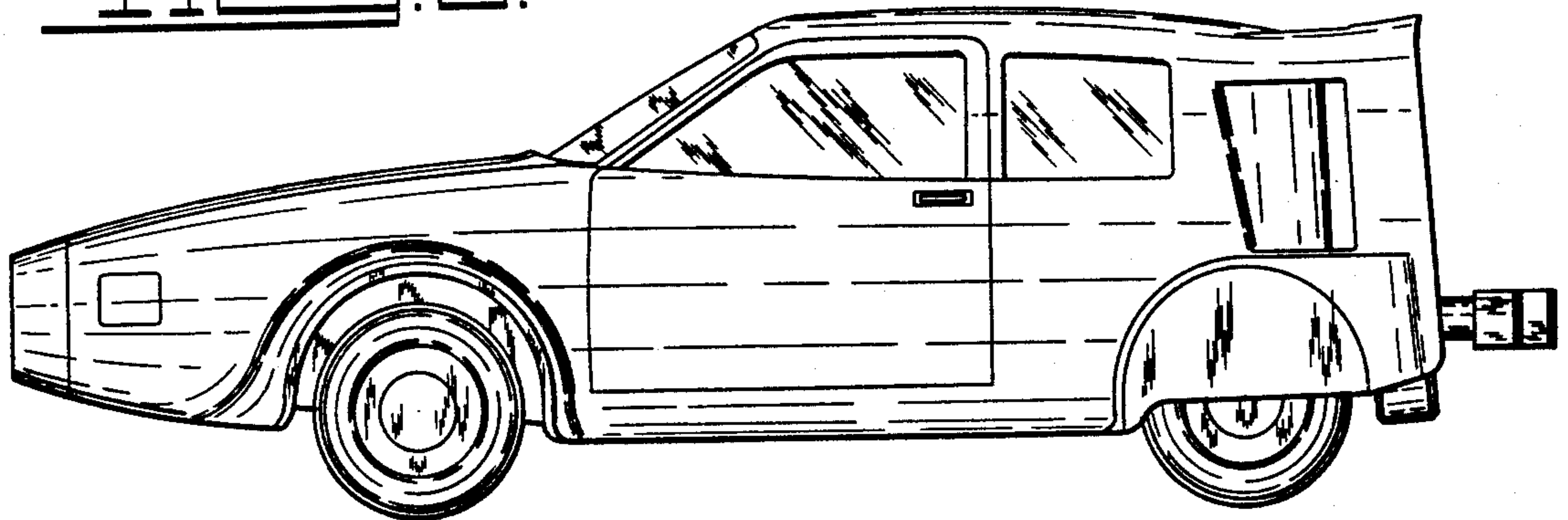


FIG. 7.