

[54] SMOKE DETECTOR

[75] Inventor: John S. Skarman, Newport Beach, Calif.

[73] Assignee: Gateway Scientific, Inc., Costa Mesa, Calif.

[**] Term: 14 Years

[21] Appl. No.: 409,642

[22] Filed: Aug. 19, 1982

[52] U.S. Cl. D10/106

[58] Field of Search D10/104, 106;
340/541-547, 551-552, 556, 566, 577, 578-579,
584-586, 627-629, 630, 693, 555; 116/4-9, 67
R, 75, 77, 85-86, 107, 112, 214, 216, 137 R, 141,
142 R, 147, 148-149, 166, DIG. 38, DIG. 4

[56] References Cited

U.S. PATENT DOCUMENTS

D. 244,781 6/1977 Saidel D14/39
D. 262,952 2/1982 Hanig D10/106
D. 271,287 11/1983 Fenne D10/104

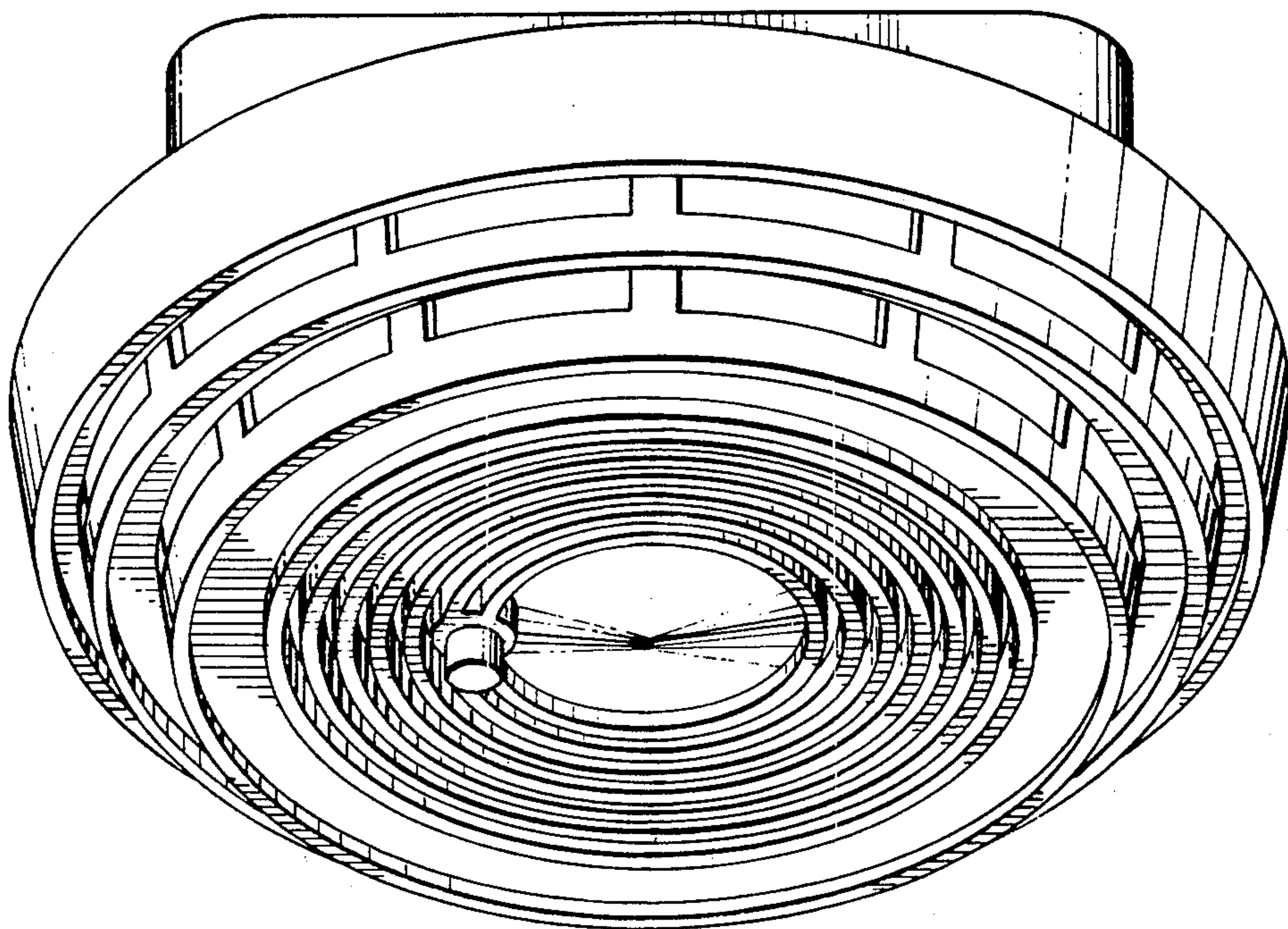
Primary Examiner—Wallace R. Burke
Assistant Examiner—Suzanne N. Gitlin
Attorney, Agent, or Firm—Spensley, Horn, Jubas &
Lubitz

[57] CLAIM

The ornamental design for a smoke detector, as shown.

DESCRIPTION

FIG. 1 is a front perspective view of a smoke detector showing my new design;
FIG. 2 is a rear elevational view;
FIG. 3 is a bottom plan view;
FIG. 4 is a top plan view; and
FIG. 5 is a partial sectional view of the cover only taken along the line 5—5 in FIG. 3.



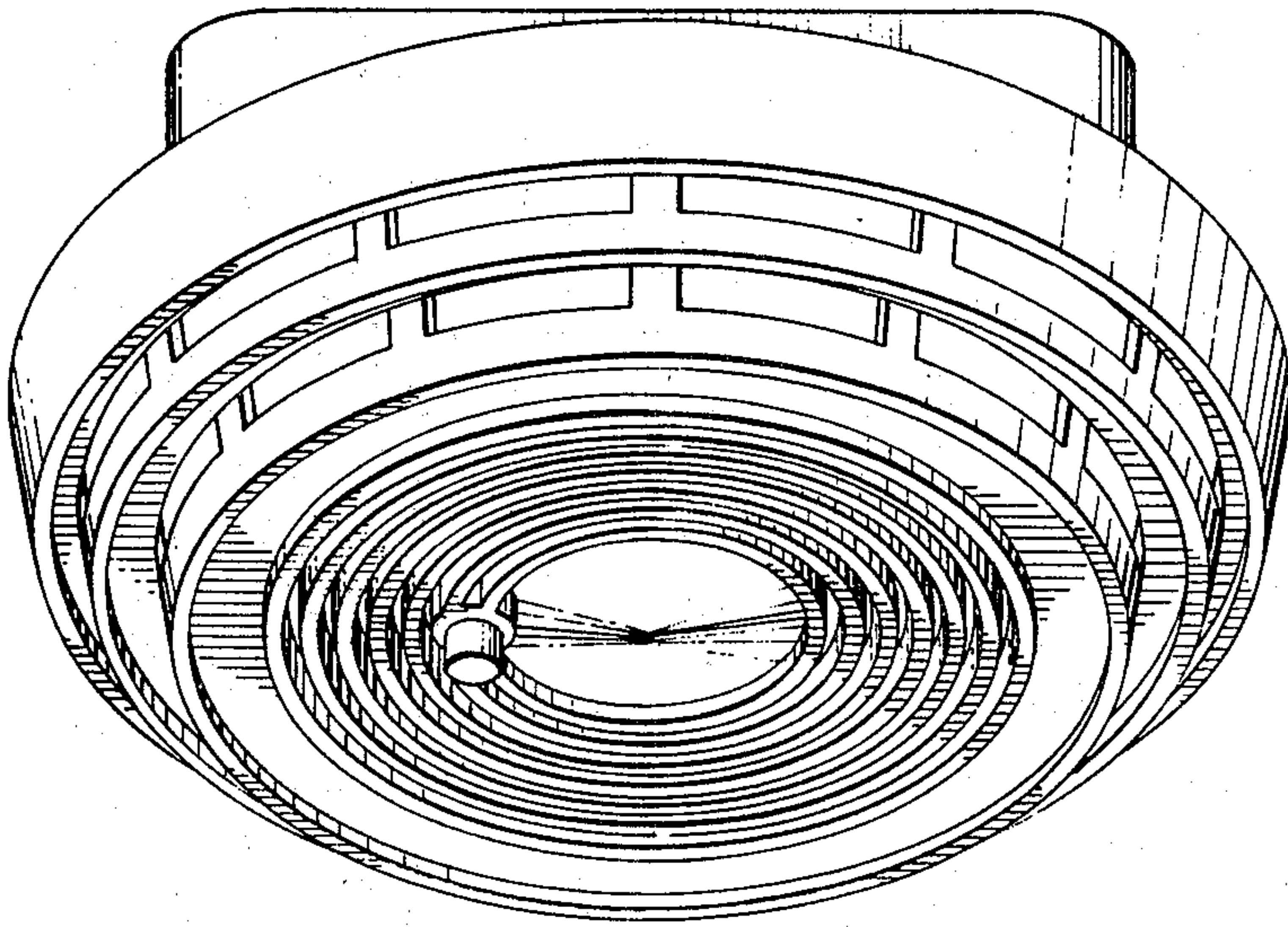


FIG. 1.

FIG. 2.

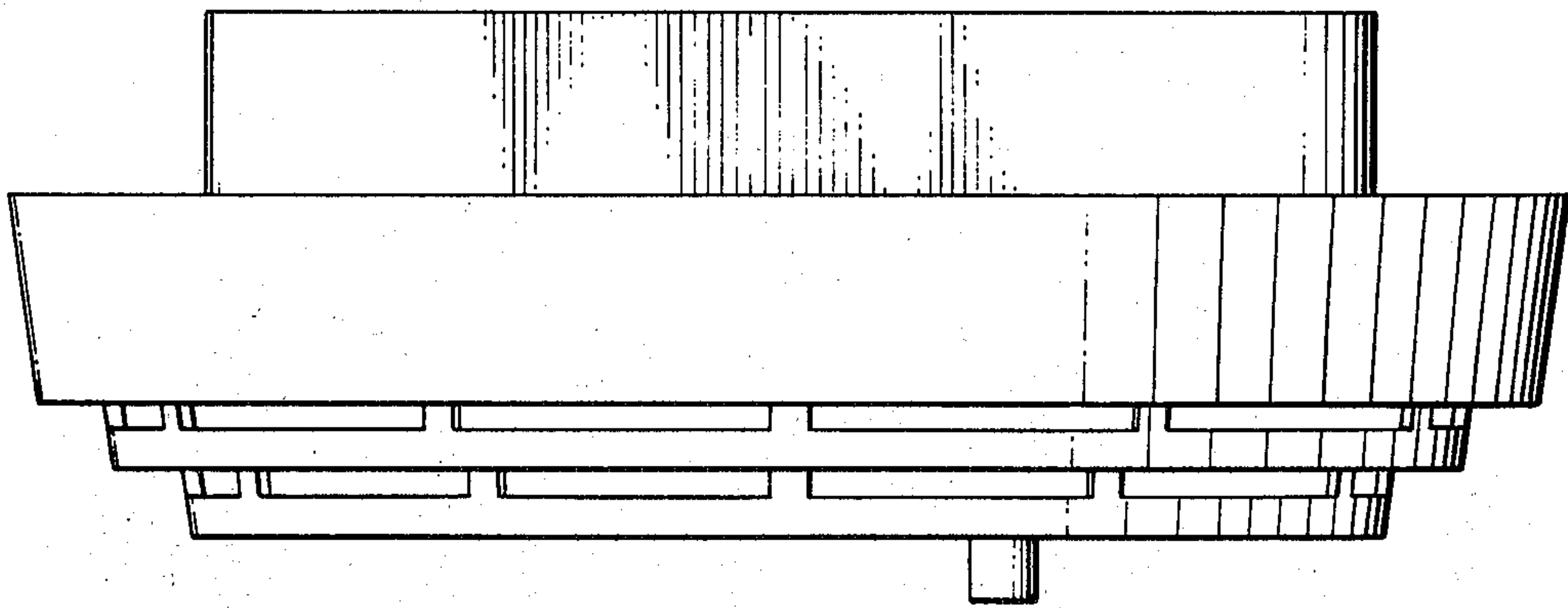


FIG. 5.

