

[54] SMOKE DETECTOR TESTER

620776 4/1927 France 43/128

[76] Inventor: Michael F. Minozzi, Jr., 10 Mein Dr.,
New City, N.Y. 10956

Primary Examiner—Nelson C. Holtje
Attorney, Agent, or Firm—Pasquale A. Razzano

[**] Term: 14 Years

[57] CLAIM

[21] Appl. No.: 334,532

The ornamental design for a smoke detector tester, as shown and described.

[22] Filed: Dec. 28, 1981

DESCRIPTION

[52] U.S. Cl. D10/46

[58] Field of Search D10/46, 81, 83, 96;
73/1 G; 252/305, 359 CG; 43/127, 128

FIG. 1 is a right front perspective view of a smoke detector showing my new design;

FIG. 2 is a front elevational view thereof;

FIG. 3 is a left side elevational view thereof;

FIG. 4 is a rear elevational view thereof;

FIG. 5 is a top plan view thereof;

FIG. 6 is a bottom plan view thereof;

FIG. 7 is a left front perspective view thereof with the tube extended and the ash collector raised.

The showing of smoke and cigarette in broken lines in FIG. 7 is environmental only and form no part of the claimed design.

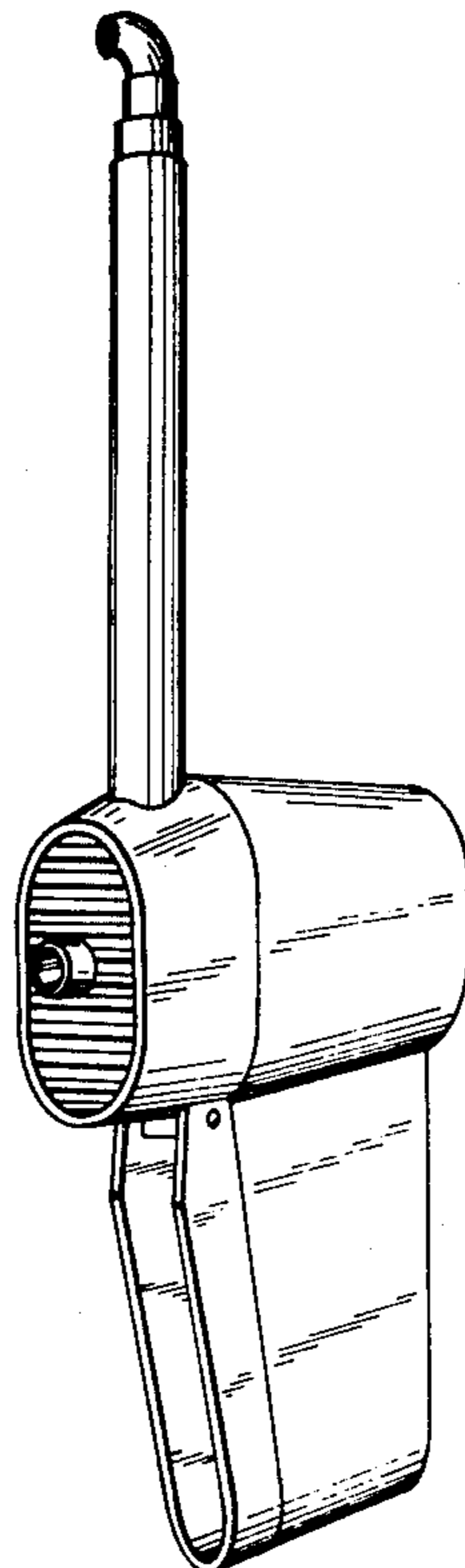
[56] References Cited

U.S. PATENT DOCUMENTS

- 718,689 1/1903 Bingham 43/128
- 4,271,693 6/1981 Bute 252/359 CG
- 4,301,674 1/1981 Haines 73/1 G

FOREIGN PATENT DOCUMENTS

- 4387 of 1931 Australia 443/127



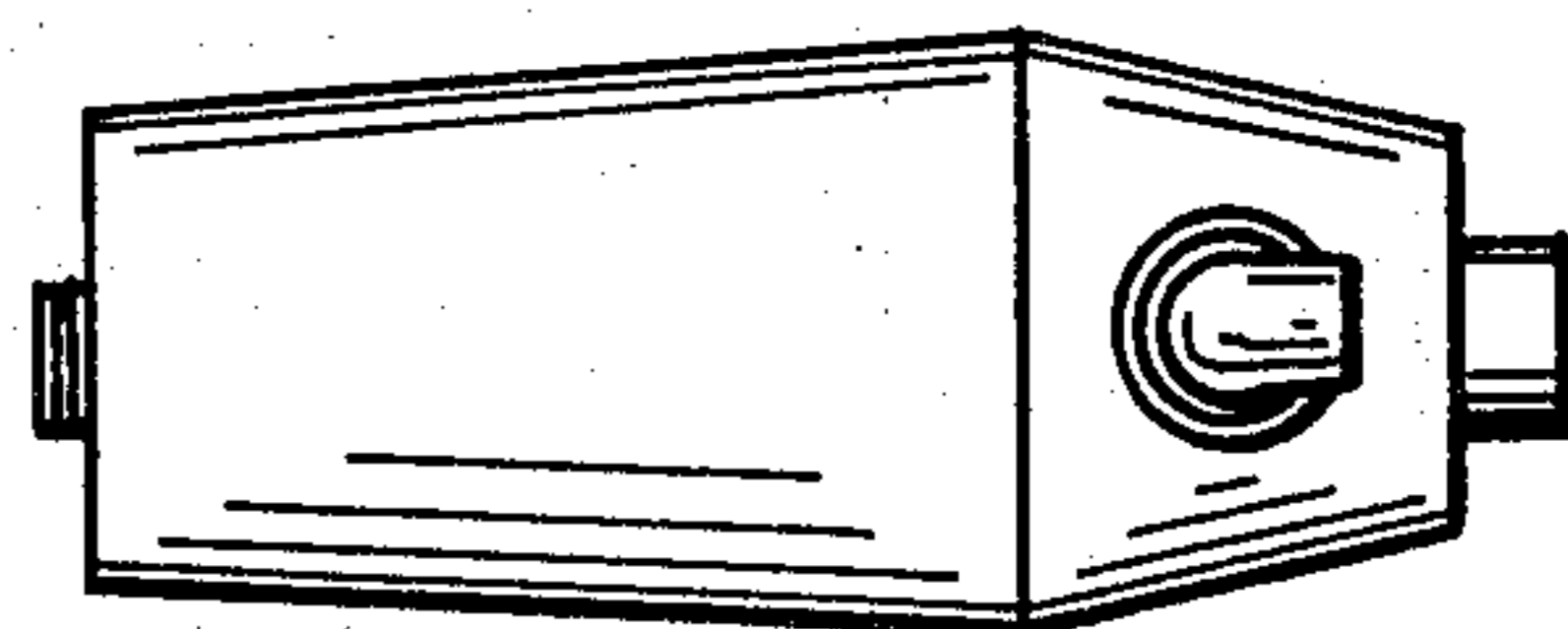
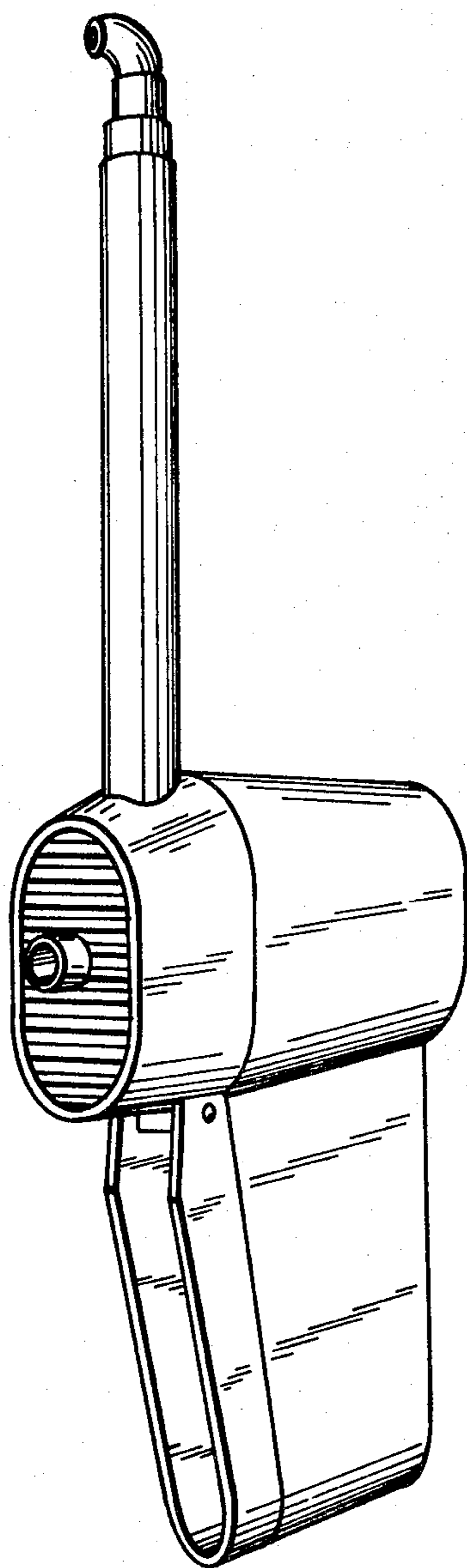


FIG. 5

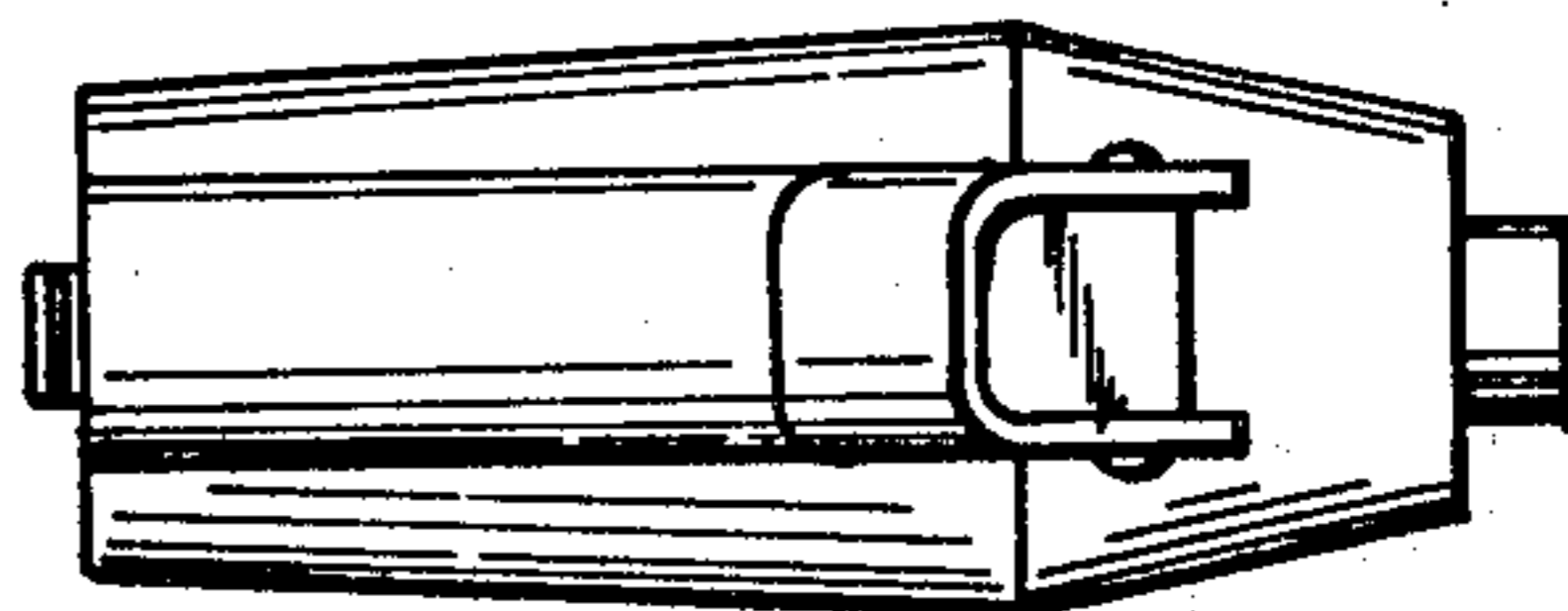


FIG. 6

FIG. 1

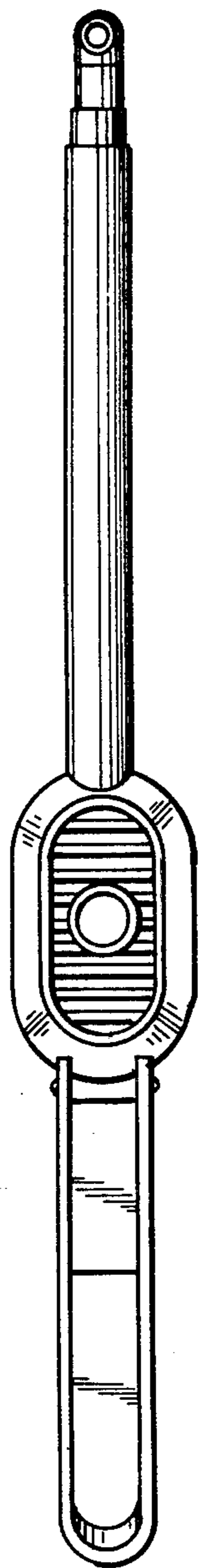


FIG. 2

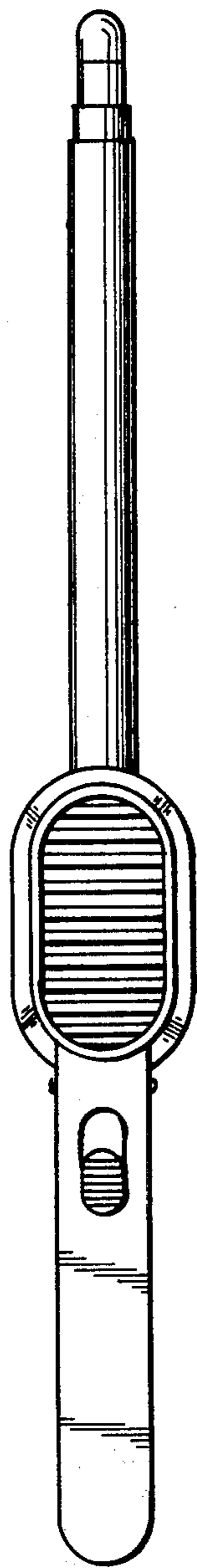


FIG. 4

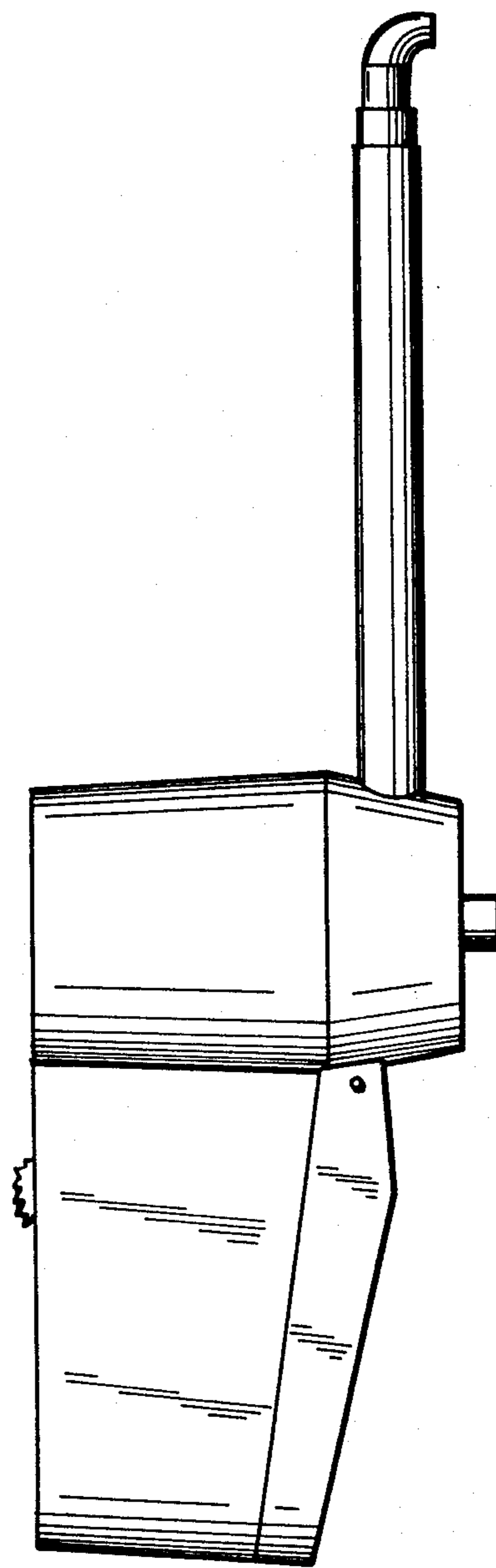


FIG. 3

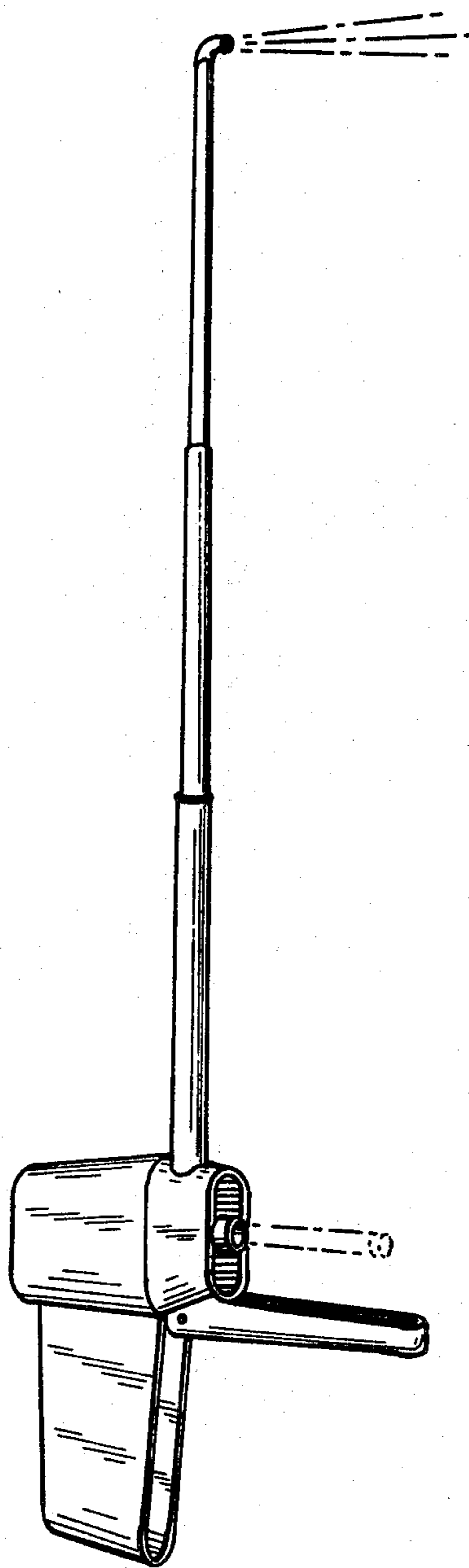


FIG. 7