

[54] CONTAINER LID

4,331,255 5/1982 Fournier 220/90.4 X

[76] Inventors: I. Thomas Jeffries, P.O. Box 6843, Louisville, Ky. 40207; Peter L. Droppelman, #11 Belknap Beach, Prospect, Ky. 40059

Primary Examiner—Robert C. Spangler
Attorney, Agent, or Firm—Woodard, Weikart, Emhardt & Naughton

[**] Term: 14 Years

[57] CLAIM

The ornamental design for a container lid, as shown and described.

[21] Appl. No.: 338,221

DESCRIPTION

[22] Filed: Jan. 11, 1982

[52] U.S. Cl. D9/438; D9/447

[58] Field of Search D9/438, 443, 366; 215/305; 220/270, 259, 334, 337, 339, 90.4

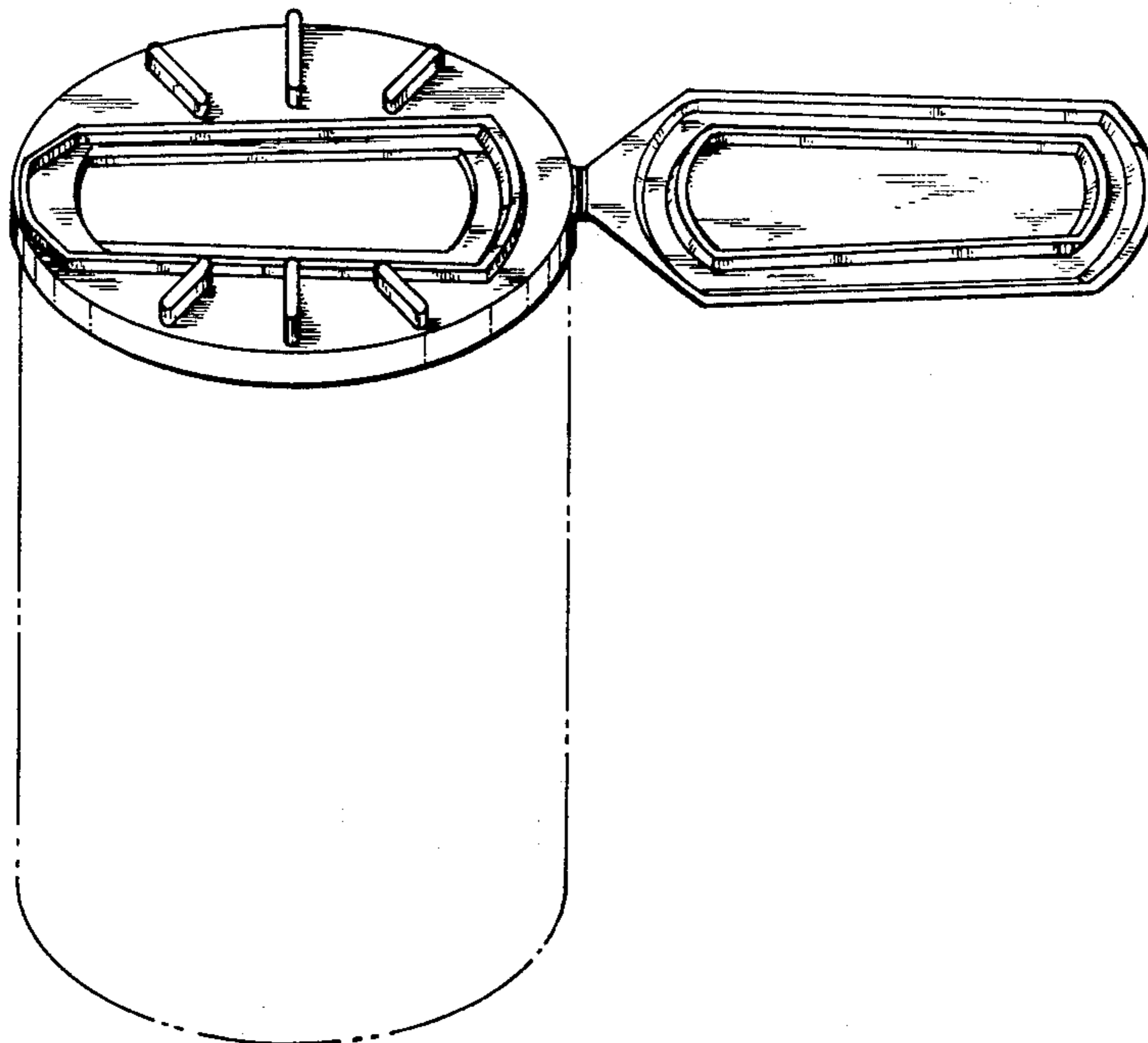
FIG. 1 is a perspective view in open position of a container lid showing our new design;
FIG. 2 is a top plan view in an open position;
FIG. 3 is a bottom plan view in an open position;
FIG. 4 is a side elevational view in open position and partly in section;
FIG. 5 is a front elevational view in a closed position and partly in sections; and
FIG. 6 is a side elevational view of the lid in a closed position and partly in section.

[56] References Cited

U.S. PATENT DOCUMENTS

D. 209,788	1/1968	Cheladze et al.	D9/452
D. 230,574	3/1974	Commisso	D9/439
D. 266,311	9/1982	Mattheis	D9/446
3,160,327	12/1964	Porcelli	D9/446 X
3,445,030	5/1969	Lutzker	D9/439 X

The broken lines in FIG. 1 showing a container are for the purpose of illustrating environmental use only.



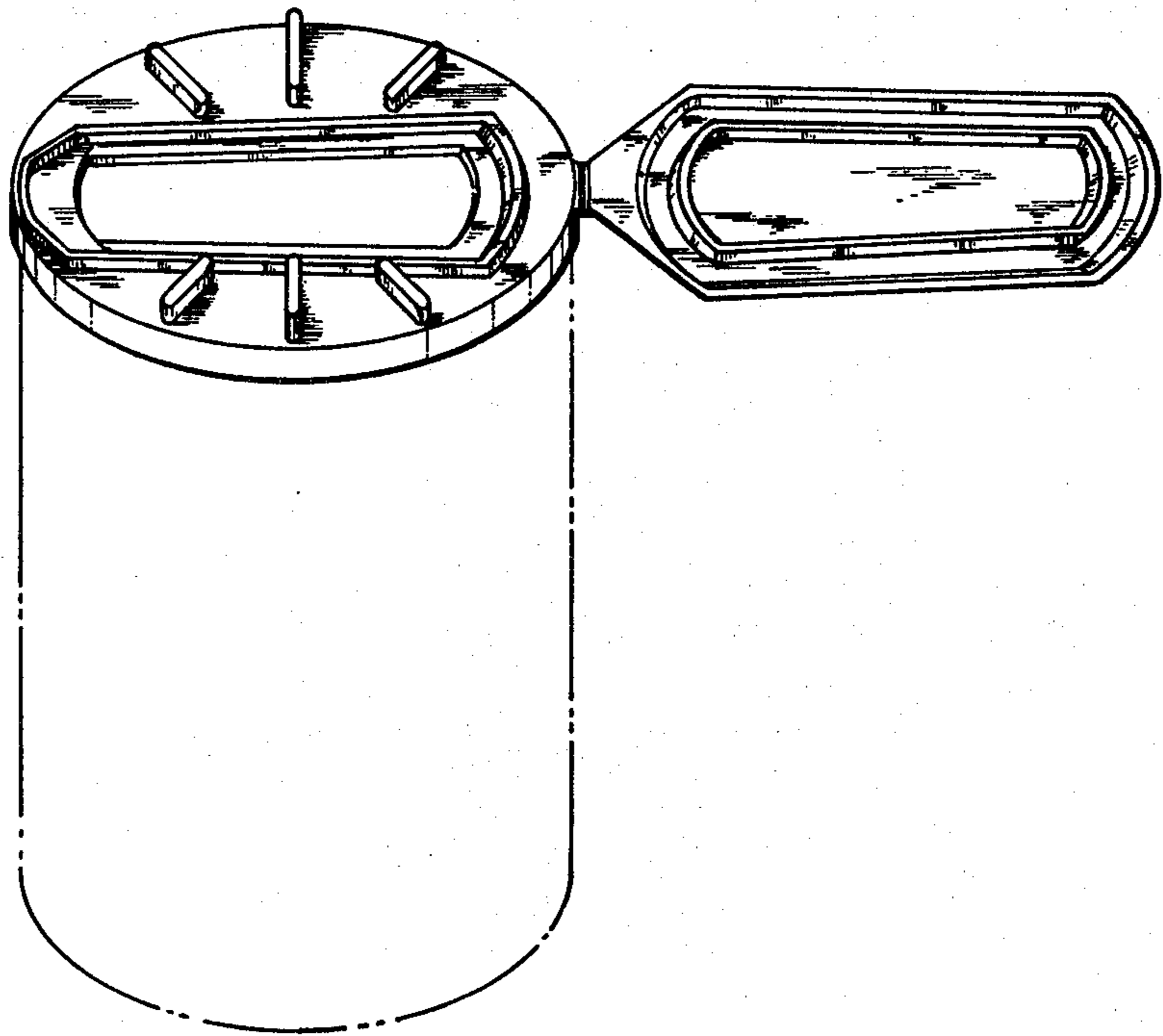


Fig.1

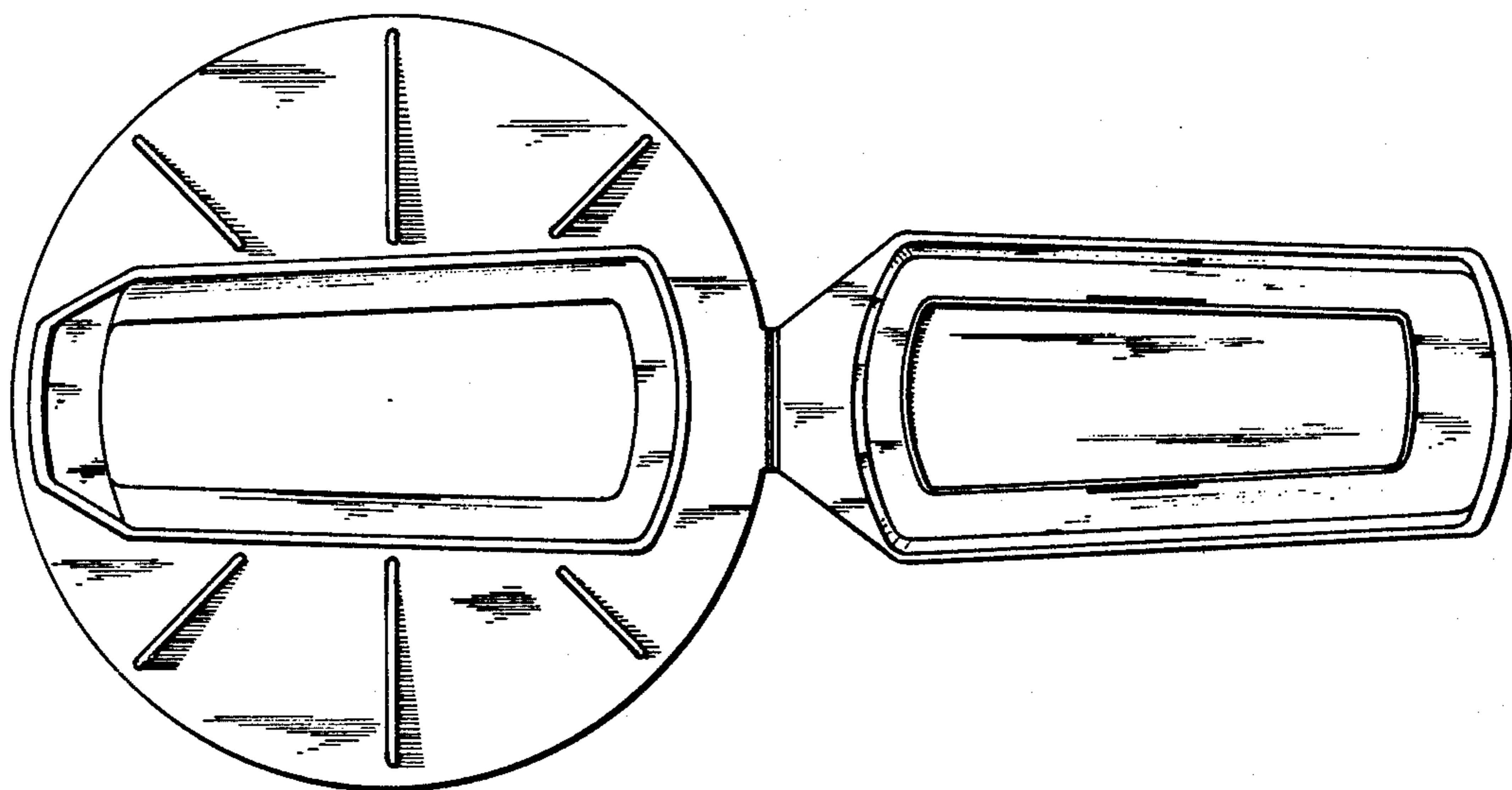


Fig. 2

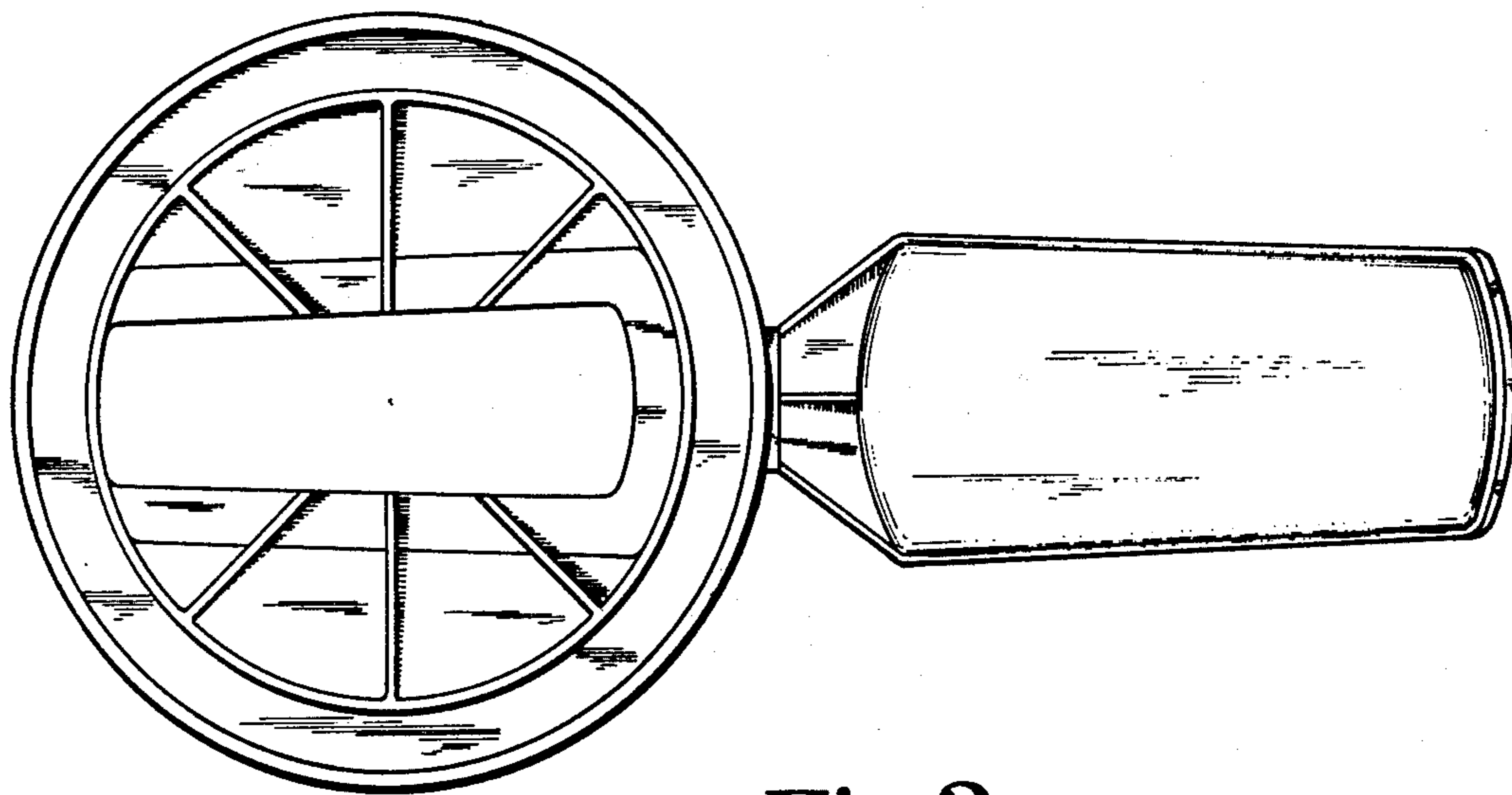


Fig. 3

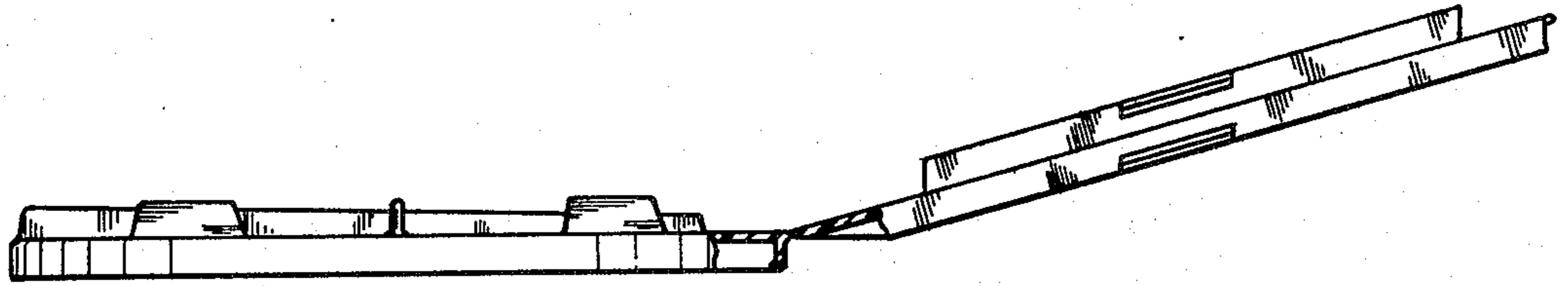


Fig. 4



Fig. 5

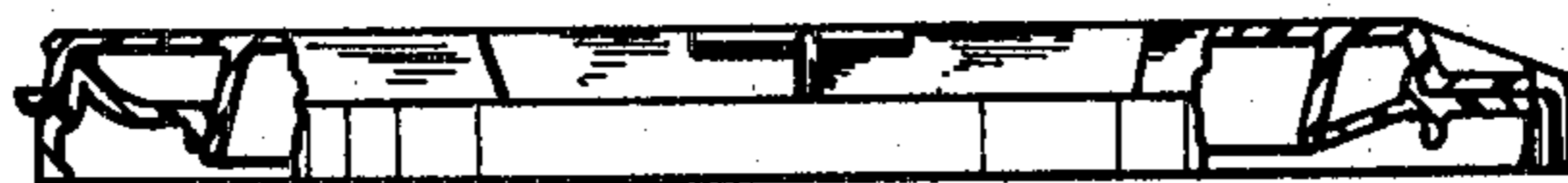


Fig. 6