

[54] PACKAGING CONTAINER FOR FOOD OR THE LIKE

[75] Inventors: Kenneth B. Spencer, Barrington; Ali R. Caner, Woodstock, both of Ill.

[73] Assignee: American Can Company, Greenwich, Conn.

[\*\*] Term: 14 Years

[21] Appl. No.: 275,316

[22] Filed: Jun. 19, 1981

[52] U.S. Cl. .... D9/370; D9/389; D9/390; D9/428

[58] Field of Search ..... 229/1.5 B, 2.5 R, 5.5, 229/4.5; 220/66; D9/370, 349, 351, 355, 388, 390, 399, 389, 403, 428, 429

[56] References Cited

U.S. PATENT DOCUMENTS

D. 221,625	8/1971	Kinney et al. ....	D9/428
D. 240,019	5/1976	Taylor .....	D9/429
D. 248,916	8/1978	Reynolds et al. ....	D9/390 X
3,784,658	1/1974	Studer .....	229/1.5 B X
3,951,266	4/1976	Brewer .....	229/1.5 B X
4,193,494	3/1980	Green .....	229/1.5 B X

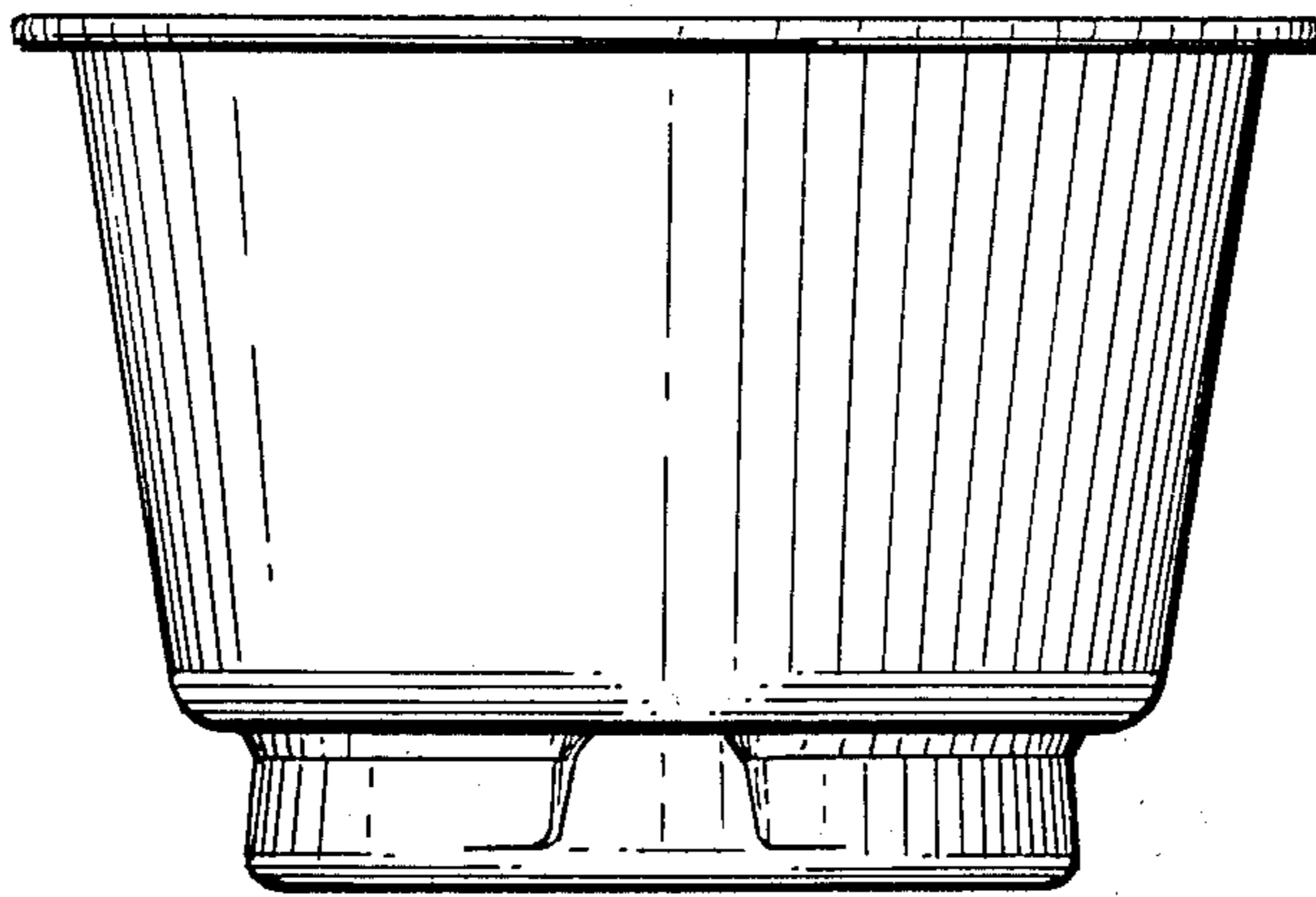
Primary Examiner—Robert C. Spangler  
Attorney, Agent, or Firm—P. R. Audet; Warren N. Low

[57] CLAIM

The ornamental design for a packaging container for food or the like, substantially as shown and described.

DESCRIPTION

FIG. 1 is a top perspective view of a packaging container for food or the like embodying our new design; FIG. 2 is a bottom perspective view; FIG. 3 is a side elevational view; and FIG. 4 is a top plan view.



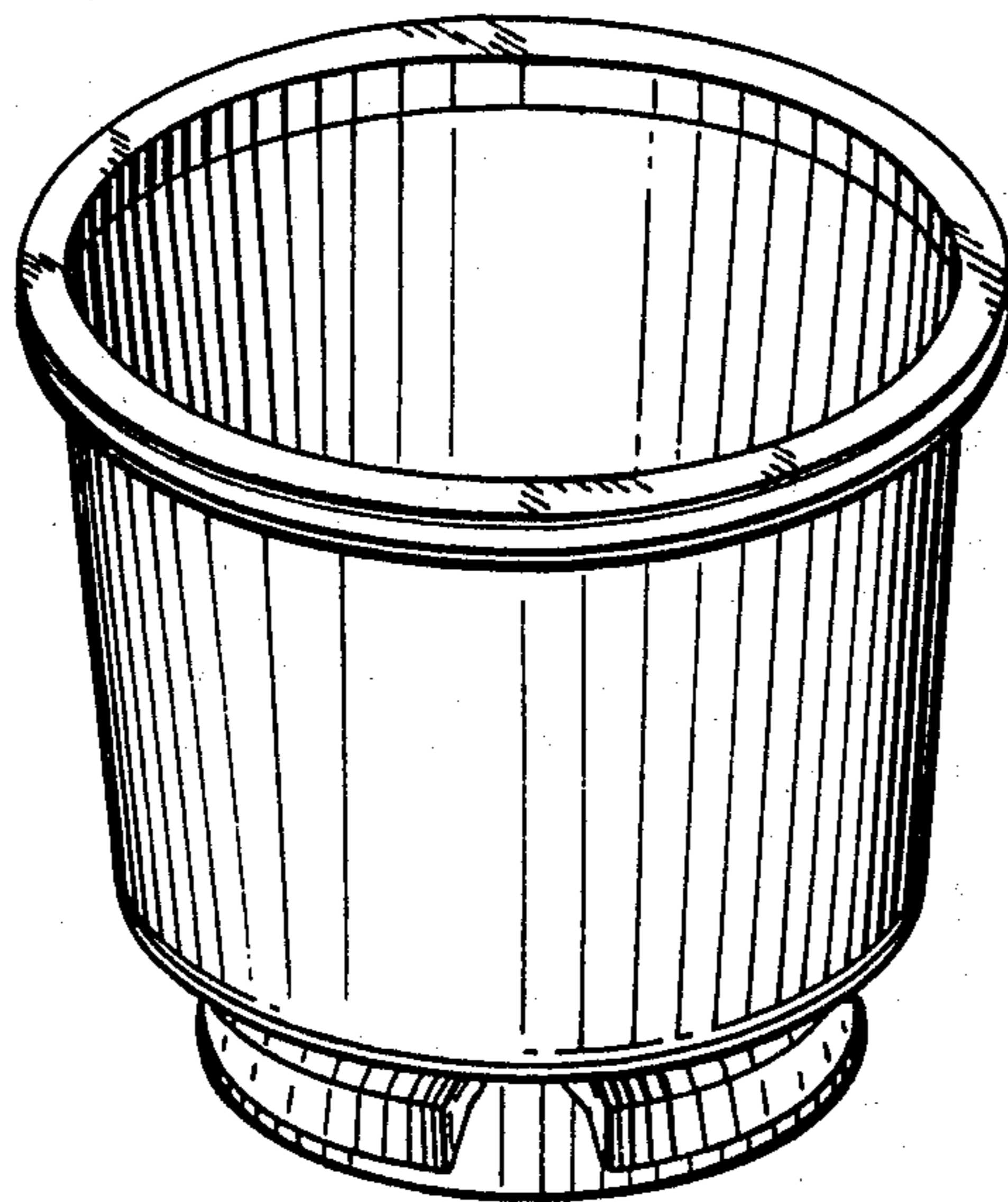


FIG. 1

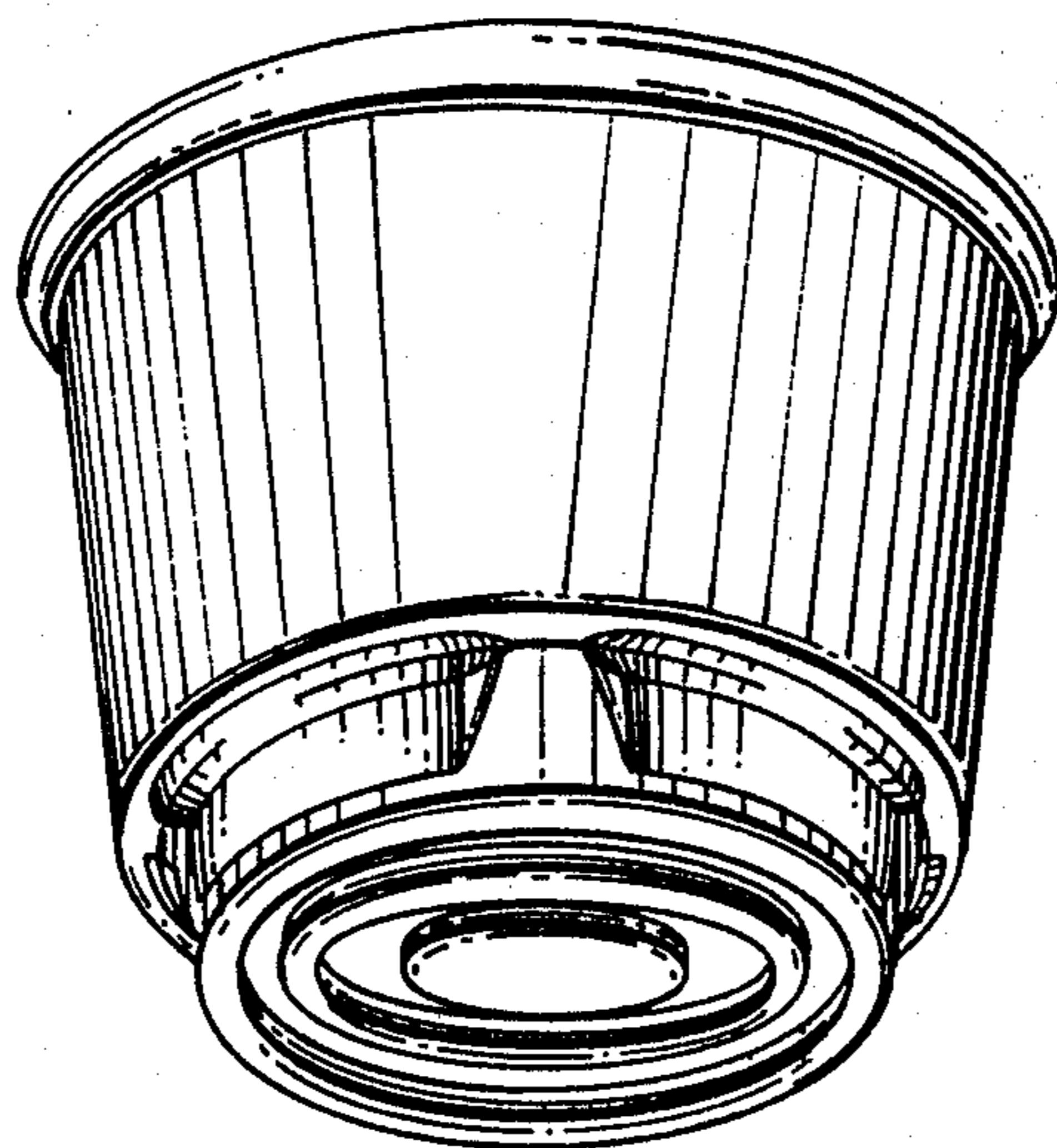


FIG. 2

FIG. 3

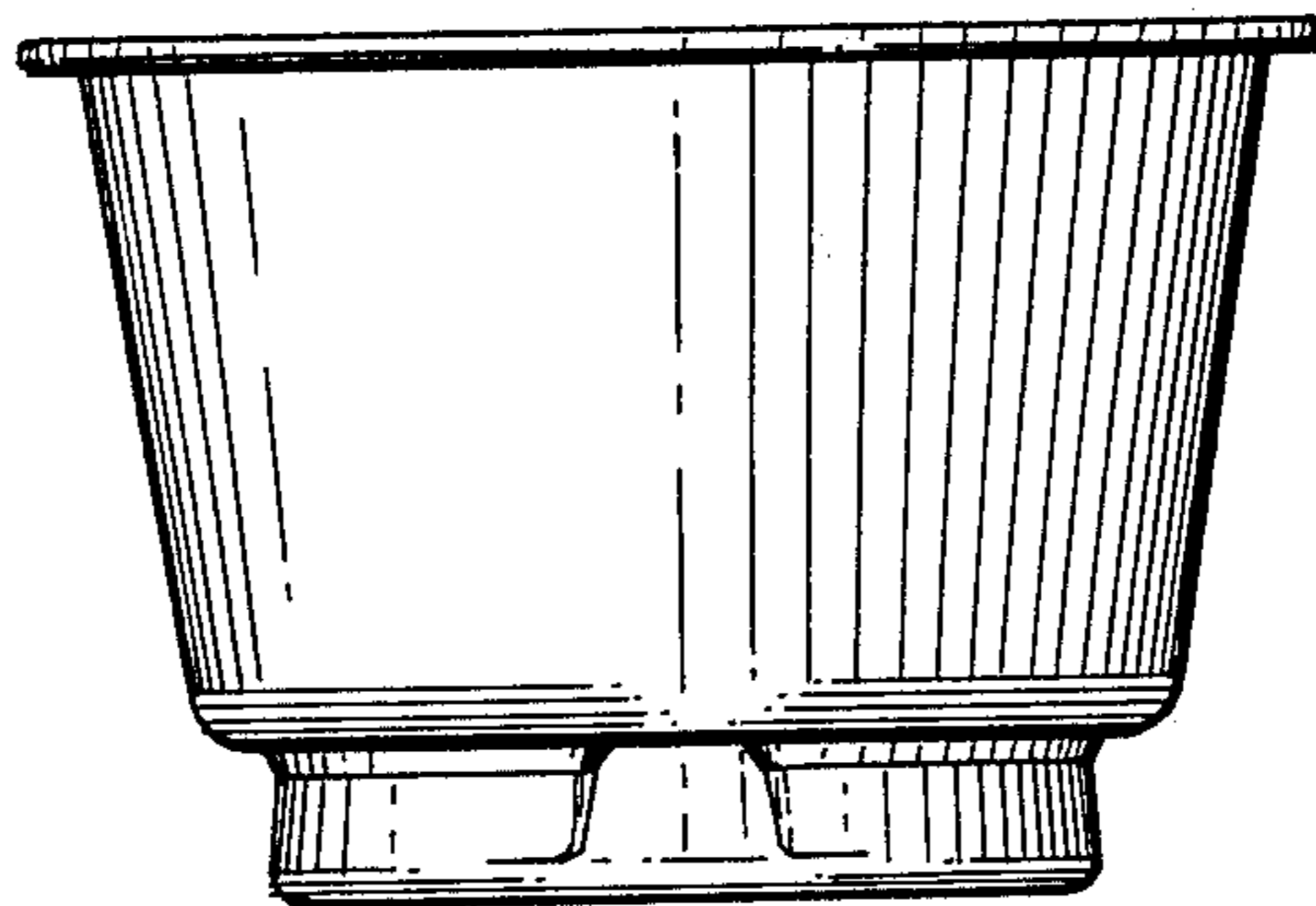


FIG. 4

