

United States Patent [19]

Kanemitsu

[11] Patent Number: **Des. 275,176**

[45] Date of Patent: **** Aug. 21, 1984**

[54] **POLY-V PULLEY**

[75] Inventor: **Yukio Kanemitsu, Kobe, Japan**

[73] Assignee: **Goshi Kaisha Kanemitsu Doko
Yosetsu-Sho, Japan**

[*] Notice: The portion of the term of this patent subsequent to Mar. 1, 1997 has been disclaimed.

[**] Term: **14 Years**

[21] Appl. No.: **386,300**

[22] Filed: **Jun. 8, 1982**

[30] **Foreign Application Priority Data**

Dec. 16, 1981 [JP] Japan 56-55938

[52] U.S. Cl. **D8/360**

[58] Field of Search D8/360; 72/105, 84,
72/82; 474/170, 168, 169; 29/159 R

[56] **References Cited**

U.S. PATENT DOCUMENTS

D. 266,982	11/1982	Kanemitsu	D8/360
D. 266,983	11/1982	Kanemitsu	D8/360
D. 266,984	11/1982	Kanemitsu	D8/360
D. 267,472	1/1983	Kanemitsu	D8/360
D. 267,540	1/1983	Kanemitsu	D8/360
D. 267,541	1/1983	Kanemitsu	D8/360
D. 268,092	3/1983	Kanemitsu	D8/360
2,471,906	5/1949	Smith	474/170
2,787,914	4/1957	Nelson	474/168
3,368,376	2/1968	Previte	72/82

3,457,751	7/1969	Lindeman	72/105
3,722,309	3/1973	Shaffer	474/169
3,772,928	11/1973	Gobeille	474/170
3,838,485	10/1974	Oldford	474/170
3,945,102	3/1976	Kotlar	29/159 R
3,953,995	5/1976	Haswell et al.	72/84
3,962,926	6/1976	Kotlar	474/168
3,977,264	8/1976	Sproul	74/230.8
3,994,181	11/1976	Sproul	474/170
4,050,321	9/1977	Kraft	74/230.8
4,080,704	3/1978	Blakesley	29/159 R
4,313,323	2/1982	Kanemitsu	29/159 R

FOREIGN PATENT DOCUMENTS

2822056	11/1979	Fed. Rep. of Germany	474/170
508176	1/1955	Italy	474/170

Primary Examiner—Wallace R. Burke

Assistant Examiner—Horace B. Fay

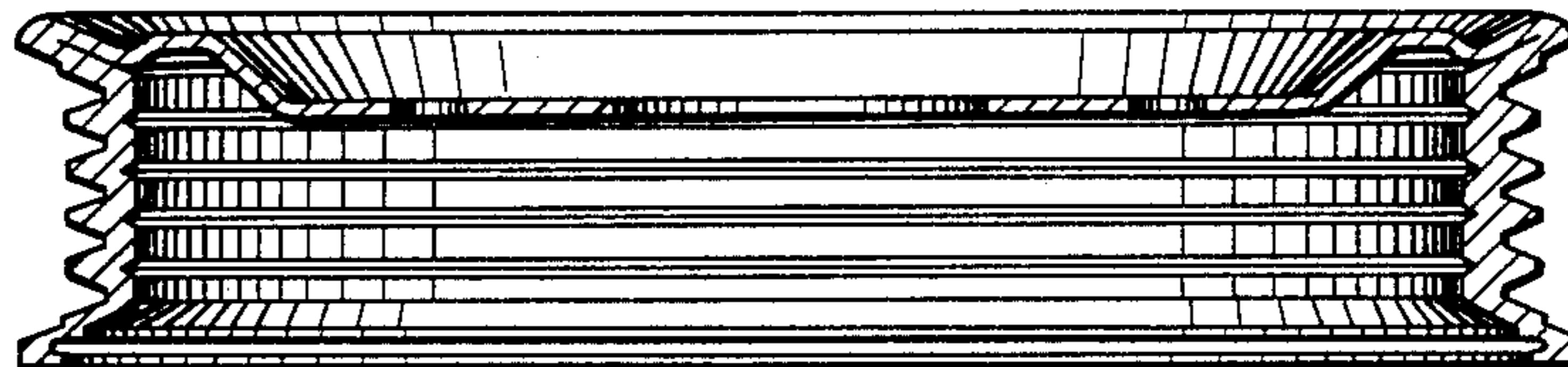
Attorney, Agent, or Firm—Steele, Gould & Fried

[57] **CLAIM**

The ornamental design for a poly-V pulley, as shown and described.

DESCRIPTION

FIG. 1 is a perspective view, from the side and bottom, of a poly-V pulley according to my new design; FIG. 2 is a bottom plan view thereof; FIG. 3 is a side elevation thereof, being the same from all directions; FIG. 4 is a top plan view thereof; and, FIG. 5 is a section view taken along the line 5—5 in FIG. 2.



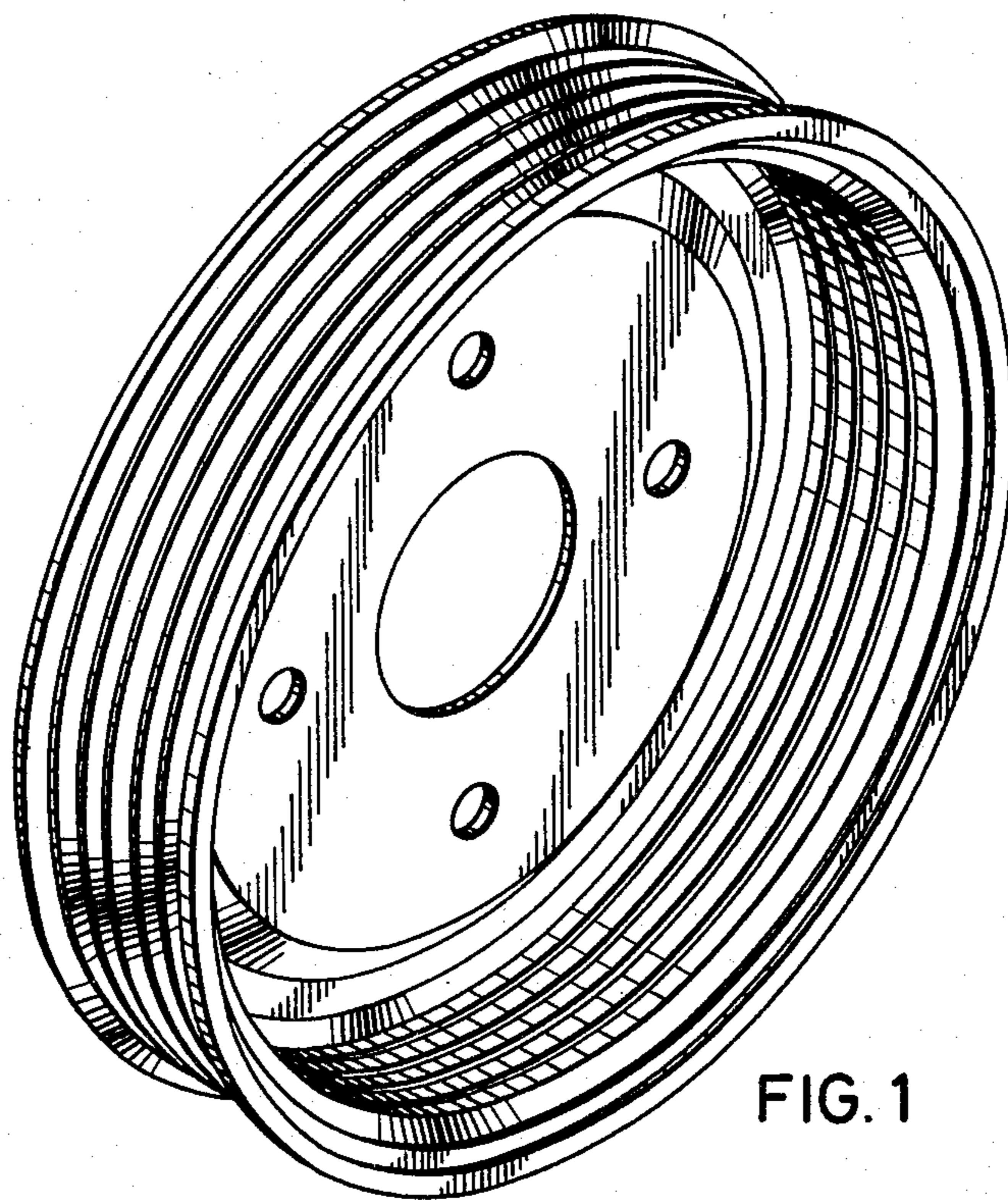


FIG. 1

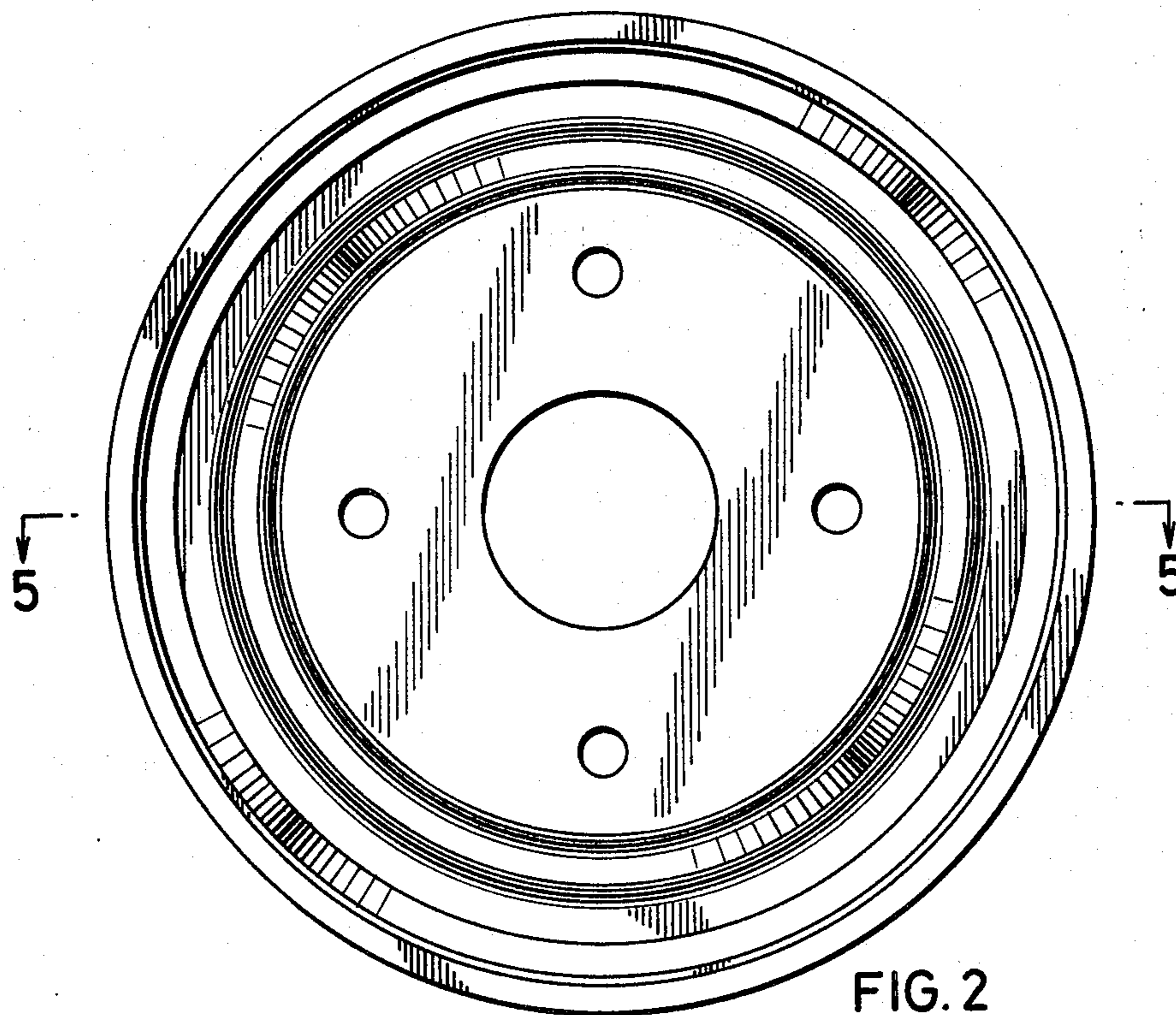


FIG. 2

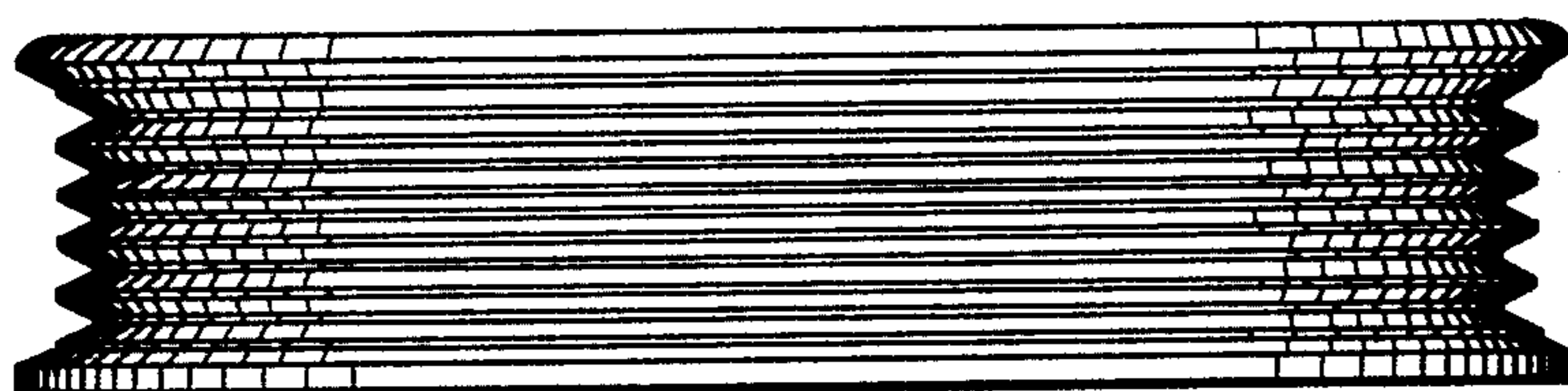


FIG. 3

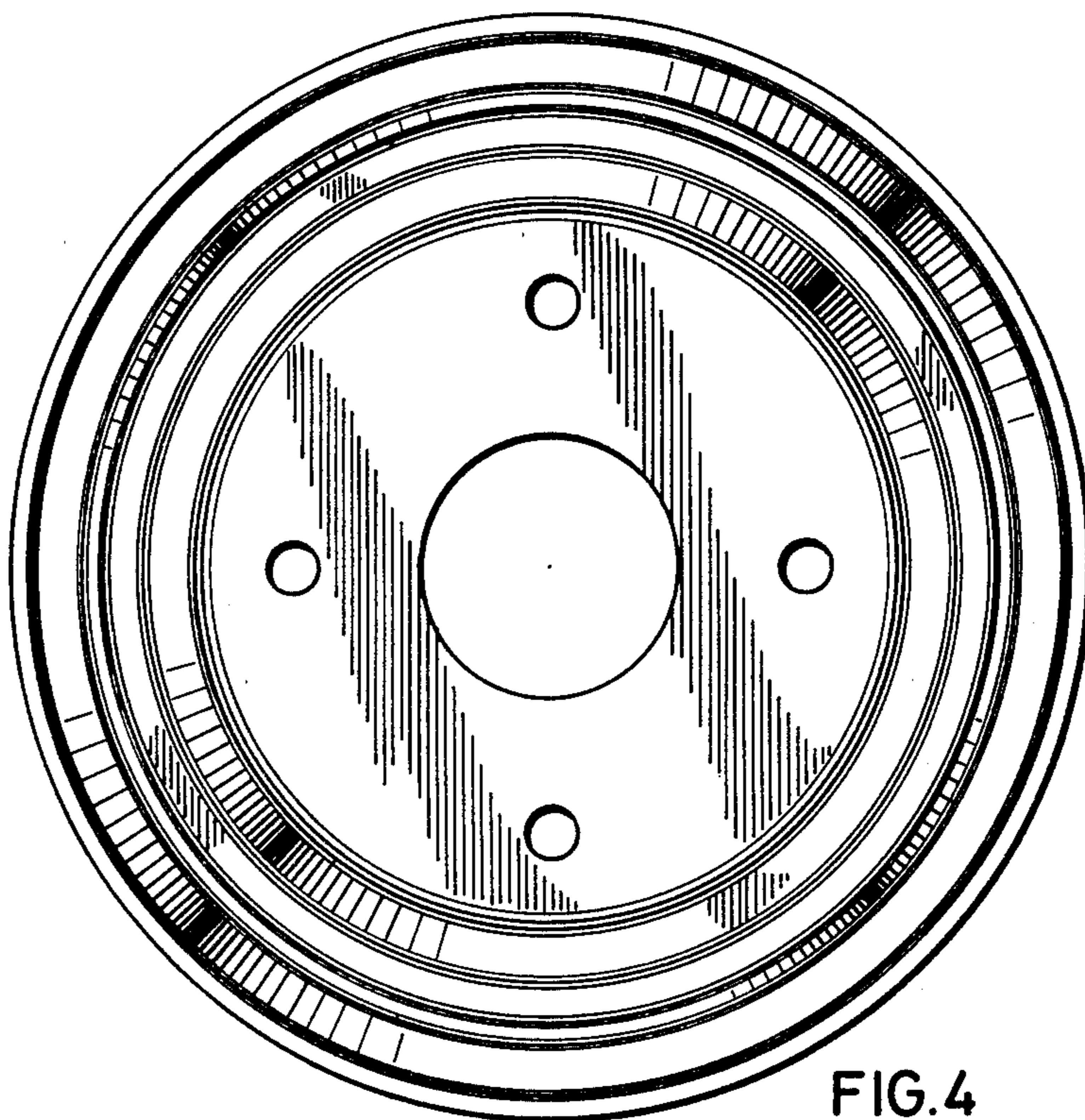


FIG. 4

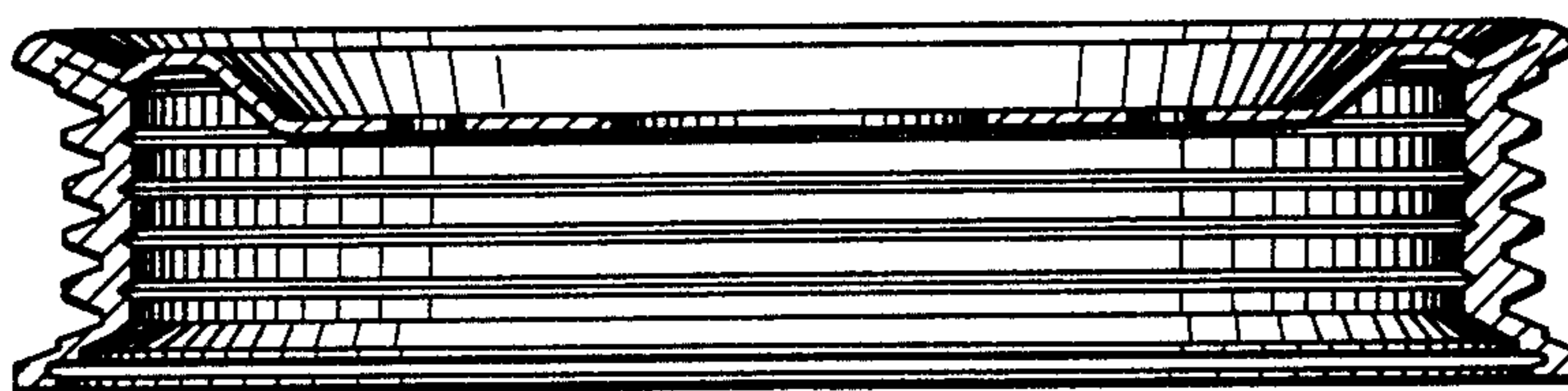


FIG. 5