

[54] ELECTRICAL CORD RETAINER CLIP

[75] Inventor: Ernest Rolli, Brookville, Ohio

[73] Assignee: Erco Mold Inc., Brookville, Ohio

[**] Term: 14 Years

[21] Appl. No.: 367,186

[22] Filed: Apr. 9, 1982

[52] U.S. Cl. D8/356; D8/395; D8/396

[58] Field of Search D8/382, 394, 395, 396, D8/356; 24/335, 336, 339, 129 R, 457, 483, 484, 530, 545, 546, 555, 556, 561, 570, 562, 563; 174/168, 169, 175

[56] References Cited

U.S. PATENT DOCUMENTS

- D. 207,057 2/1967 Palmer D8/356
- D. 229,743 1/1974 Moore D8/395

- D. 264,045 4/1982 Elliot et al. D8/396
- 2,533,341 12/1950 Alfano 24/129 R
- 2,943,138 6/1960 Reager 248/65
- 3,019,500 2/1962 Duffin et al. 24/561
- 3,225,922 12/1965 Straight 24/336

Primary Examiner—B. J. Bullock
Attorney, Agent, or Firm—Biebel, French & Nauman

[57] CLAIM

The ornamental design for an electrical cord retainer clip, substantially as shown.

DESCRIPTION

FIG. 1 is a perspective view of an electrical cord retainer clip showing my new design; FIG. 2 is an end view thereof; FIG. 3 is a top view thereof; FIG. 4 is a side view thereof. The retainer clip is symmetrical, and the opposite end, bottom, and opposite side views are therefore the same as FIGS. 2, 3 and 4.

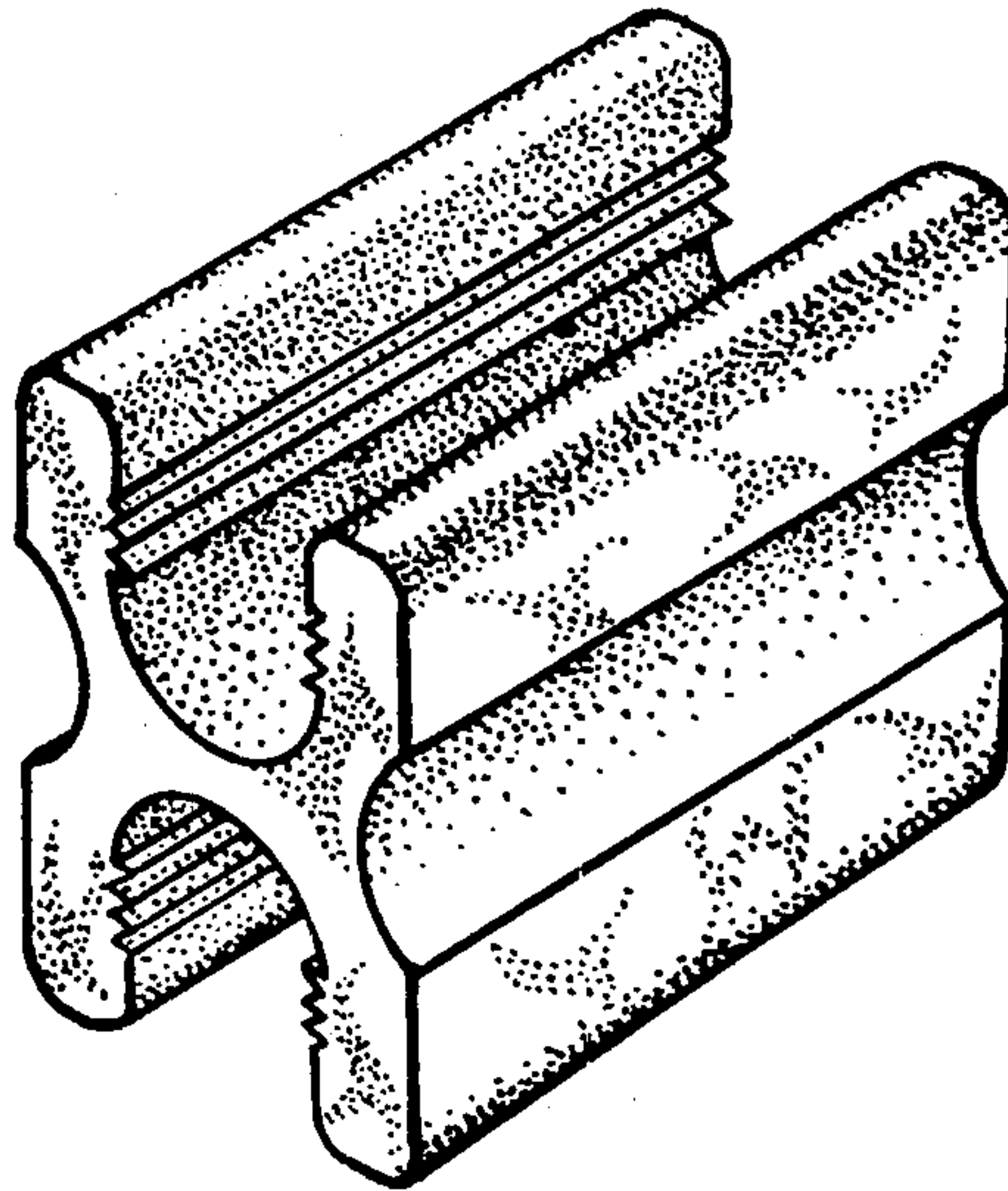


FIG-1

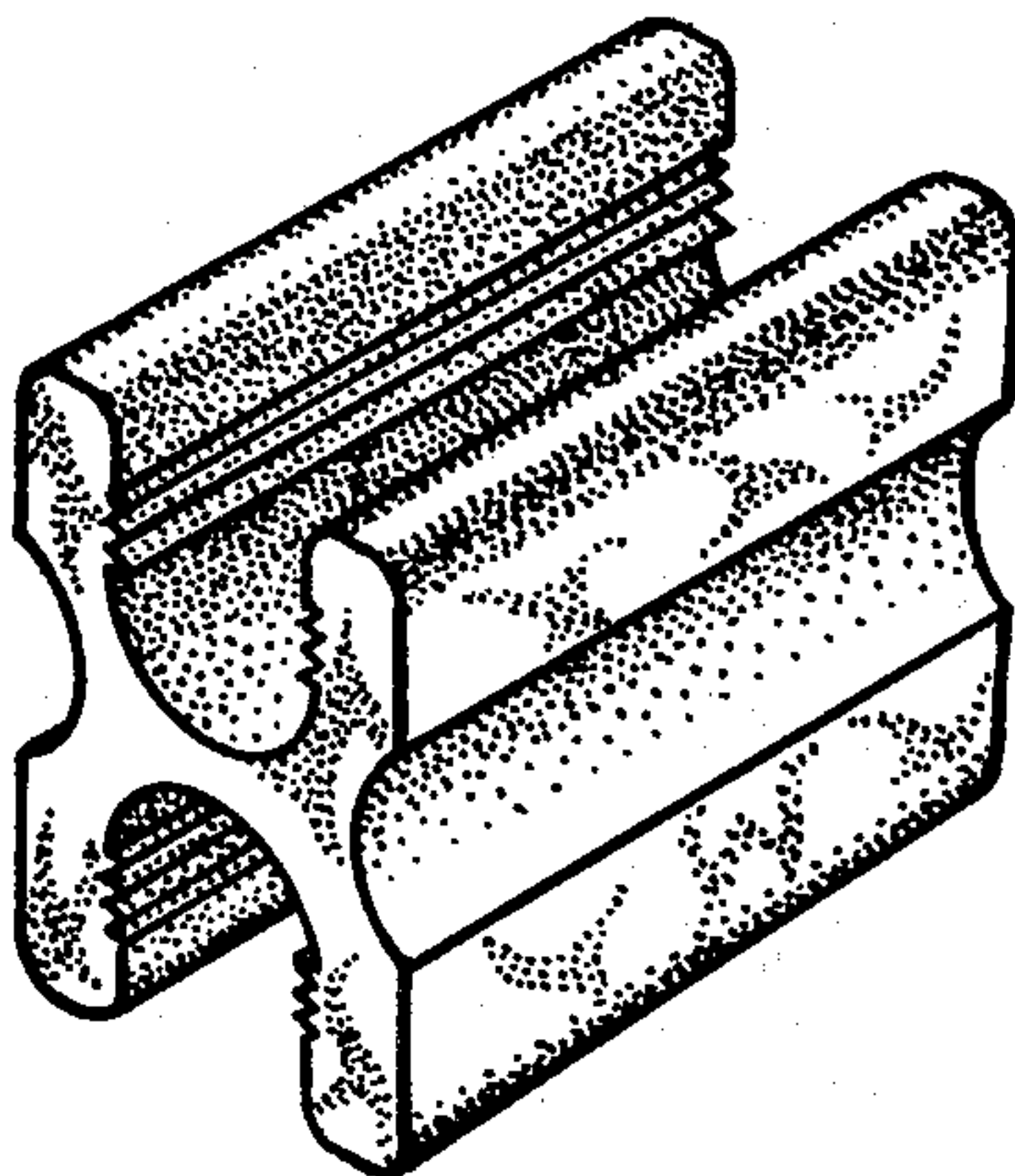


FIG-2

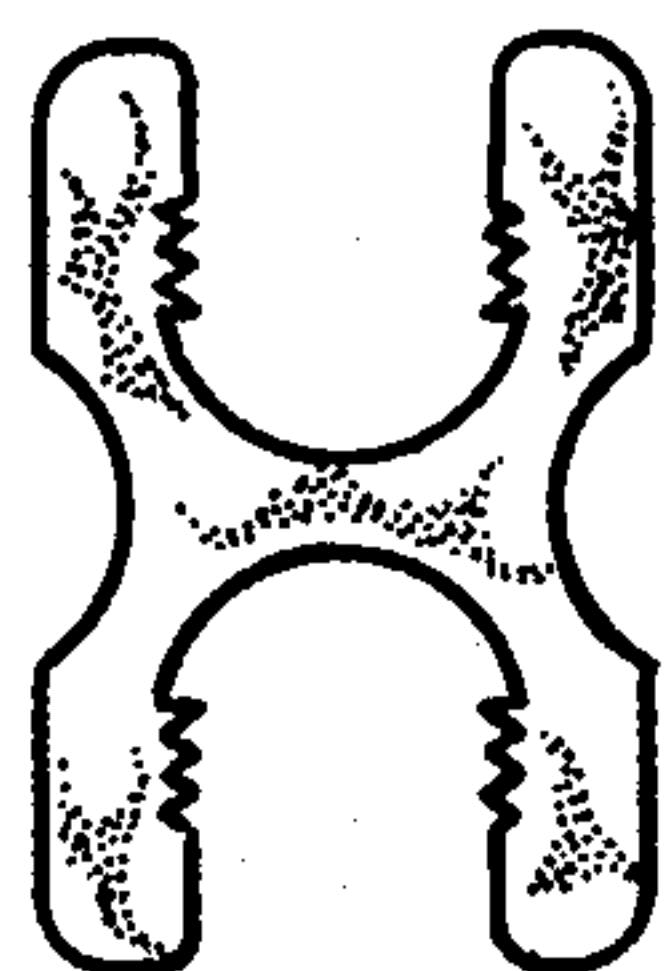


FIG-3

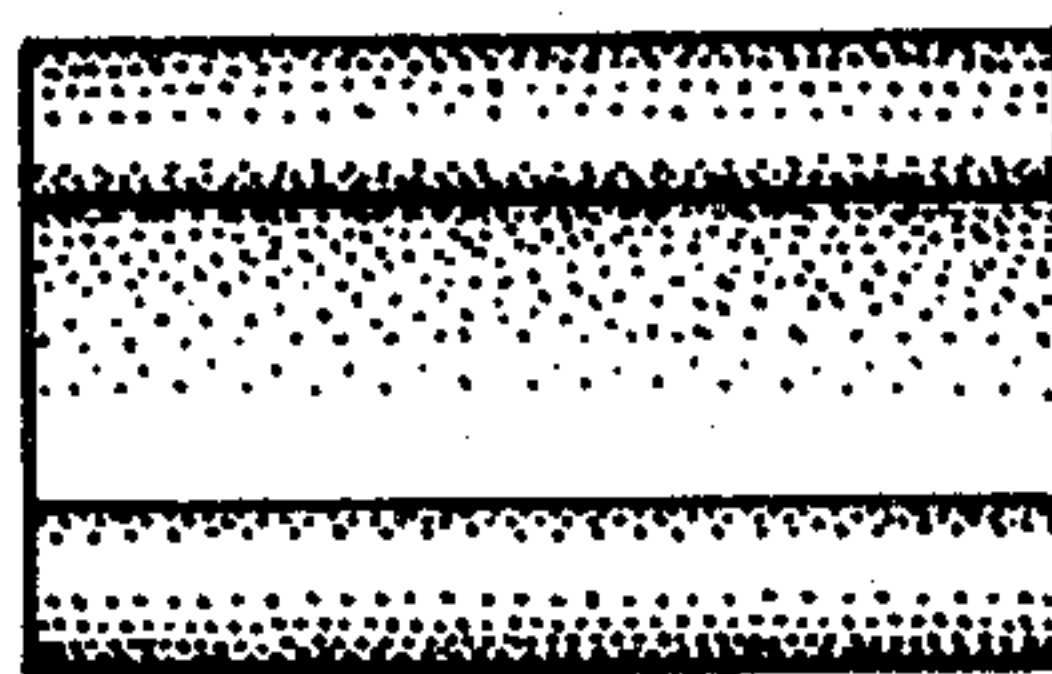


FIG-4

