

[54] **RELEASABLE HINGE AND LATCH CONNECTOR ELEMENT**

[75] Inventors: **Gerald A. Kwan**, Pasadena; **John Lehne**, Hacienda Heights; **Ronald E. Wooten**, Sunnymead, all of Calif.

[73] Assignee: **Le Van Specialty Co., Inc.**, City of Industry, Calif.

[**] Term: **14 Years**

[21] Appl. No.: **339,324**

[22] Filed: **Jan. 15, 1982**

[52] U.S. Cl. **D8/323**

[58] Field of Search **D8/323; 296/218; 49/261, 465**

[56] **References Cited**

U.S. PATENT DOCUMENTS

D. 258,415	3/1981	DeStepheno	D8/323
D. 258,562	3/1981	DeStepheno	D8/323
3,979,148	9/1976	Martin	296/218

4,067,605	1/1978	Green et al.	296/218
4,154,474	5/1979	Hough et al.	49/465
4,186,525	2/1980	Carvalho	296/218
4,226,052	10/1980	DeStepheno	296/218

Primary Examiner—B. J. Bullock
Attorney, Agent, or Firm—Francis X. LoJacono

[57] **CLAIM**

The ornamental design for a releasable hinge and latch connector element, as shown and described.

DESCRIPTION

FIG. 1 is a rear perspective view of a releasable hinge and latch connector element showing my new design; FIG. 2 is a front elevational view thereof; FIG. 3 is a side elevational view of the side not seen in FIG. 1; FIG. 4 is a top plan view thereof; FIG. 5 is a rear elevational view thereof; FIG. 6 is a cross-sectional view taken in the direction of the arrows on line 6—6 of FIG. 2; FIG. 7 is a cross-sectional view taken in the direction of the arrows on line 7—7 of FIG. 2.

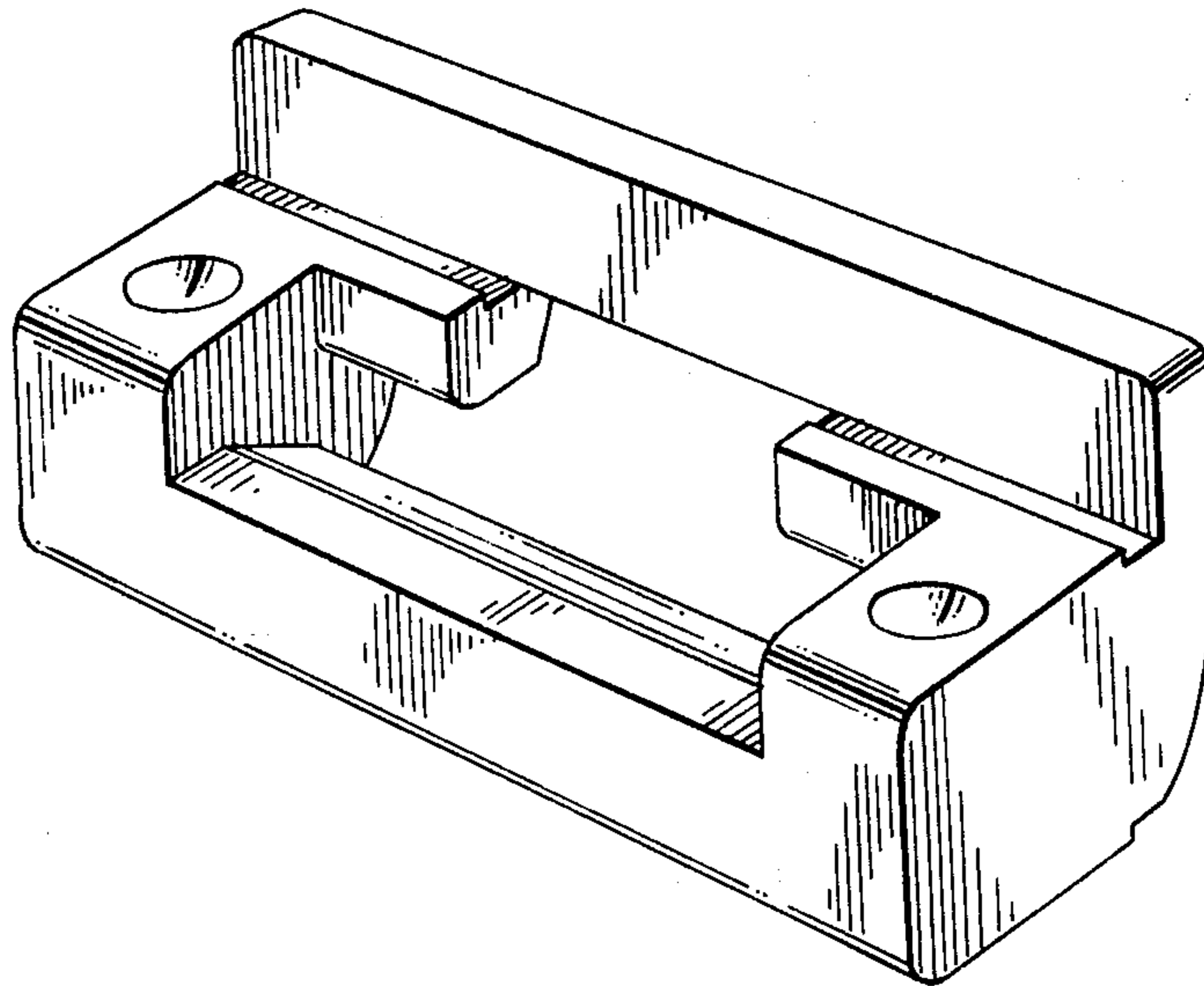


FIG. 1

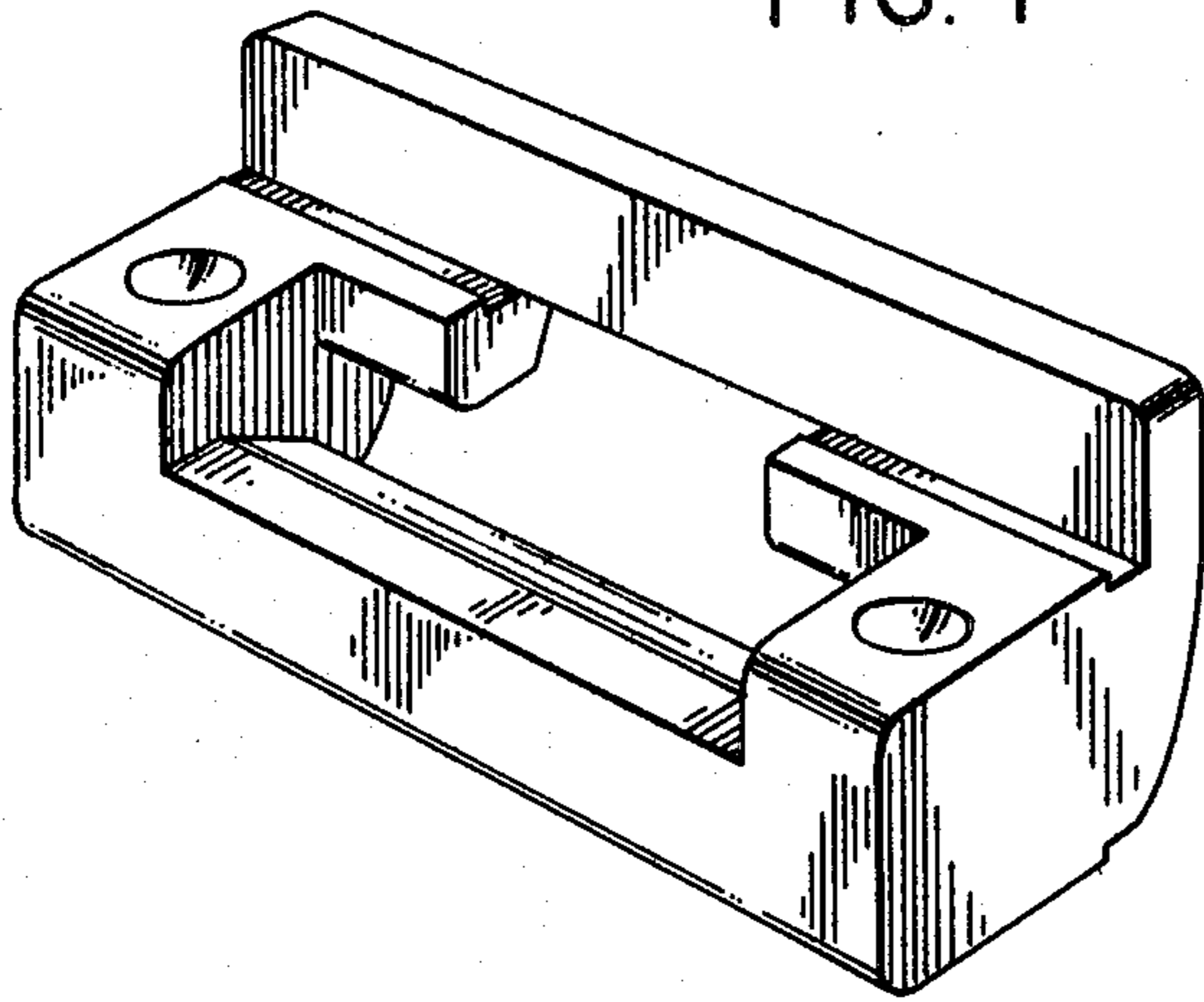


FIG. 2

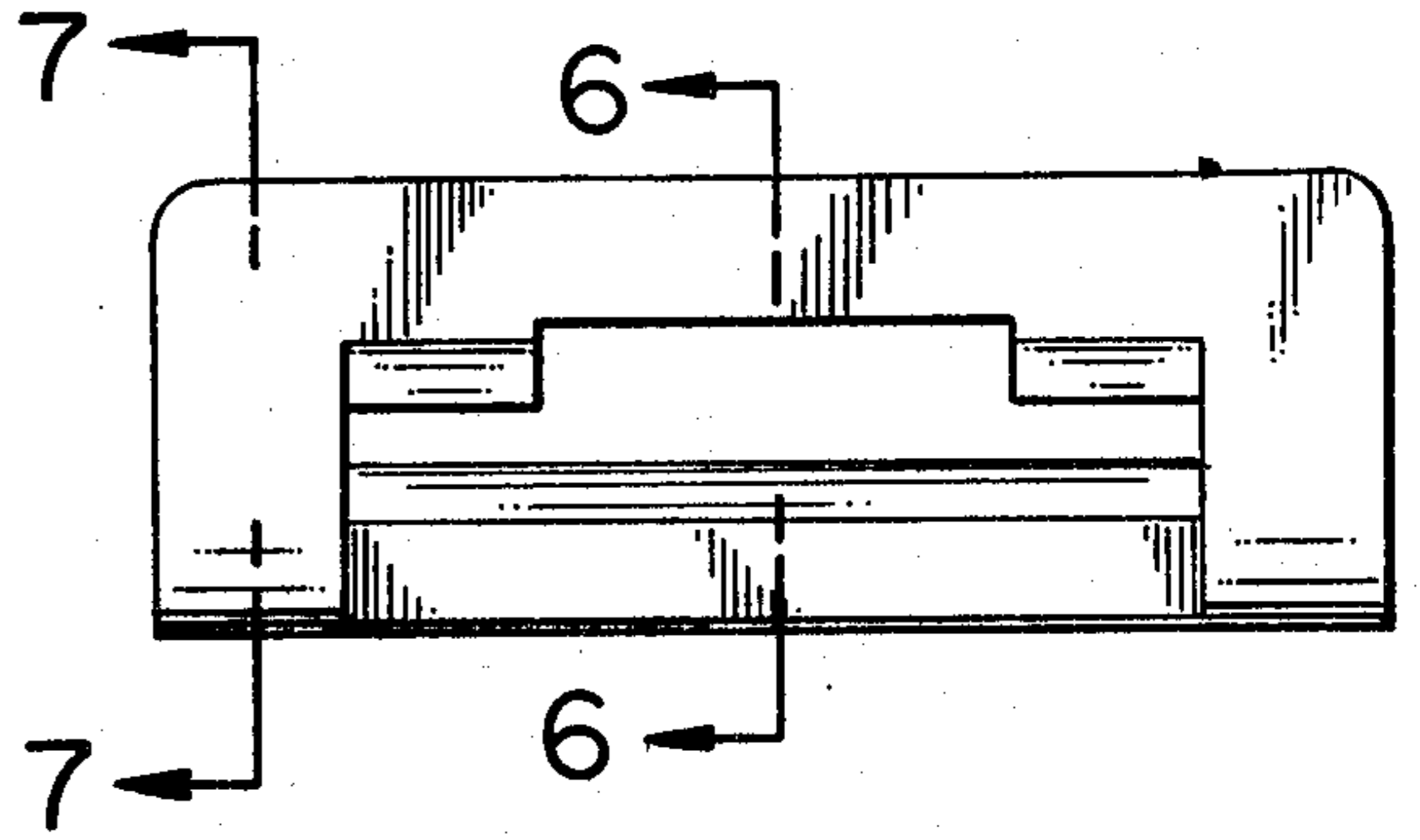


FIG. 4

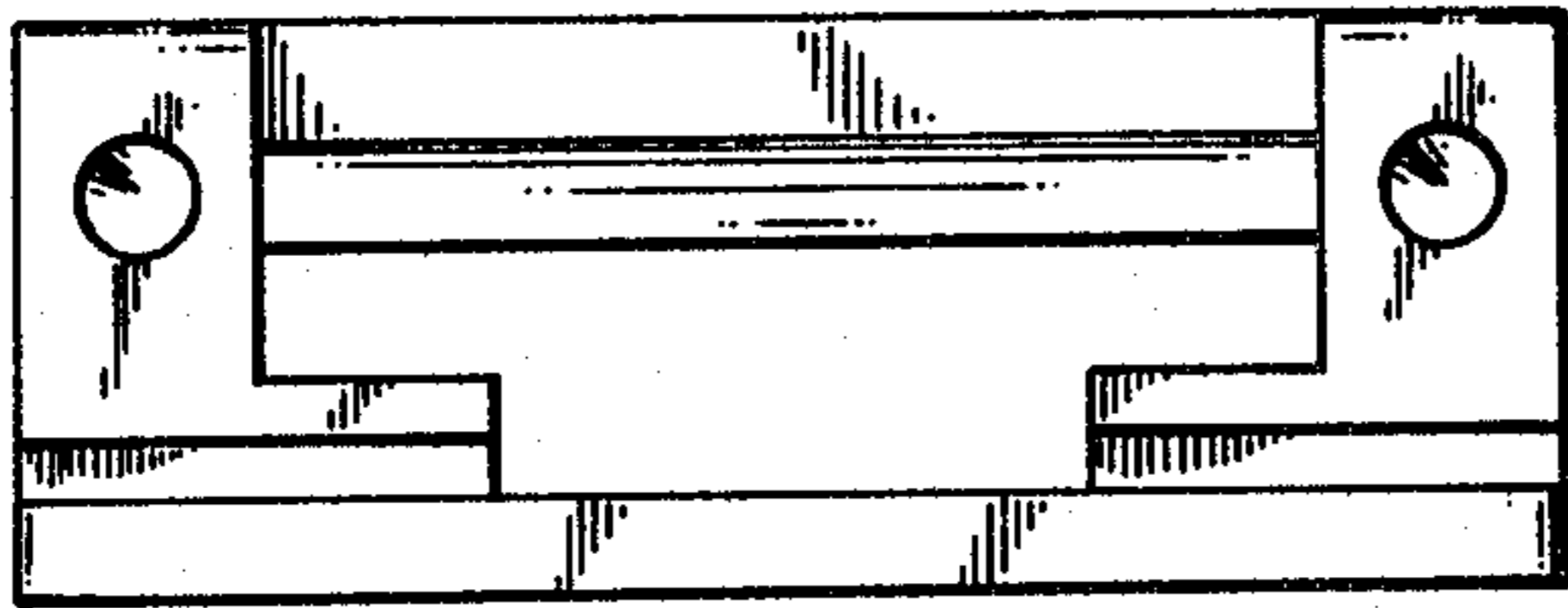


FIG. 3

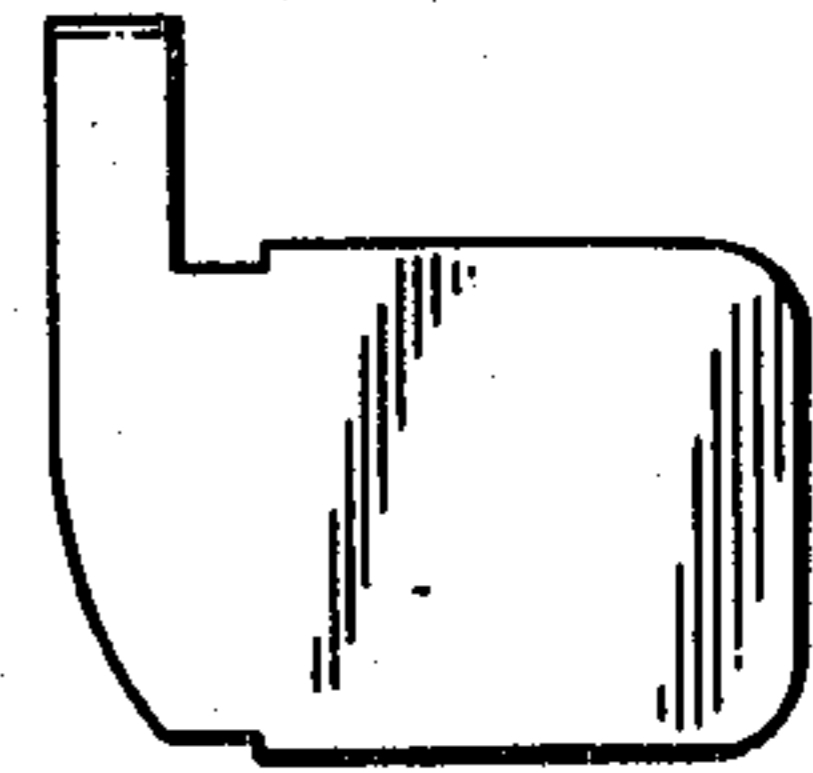


FIG. 5

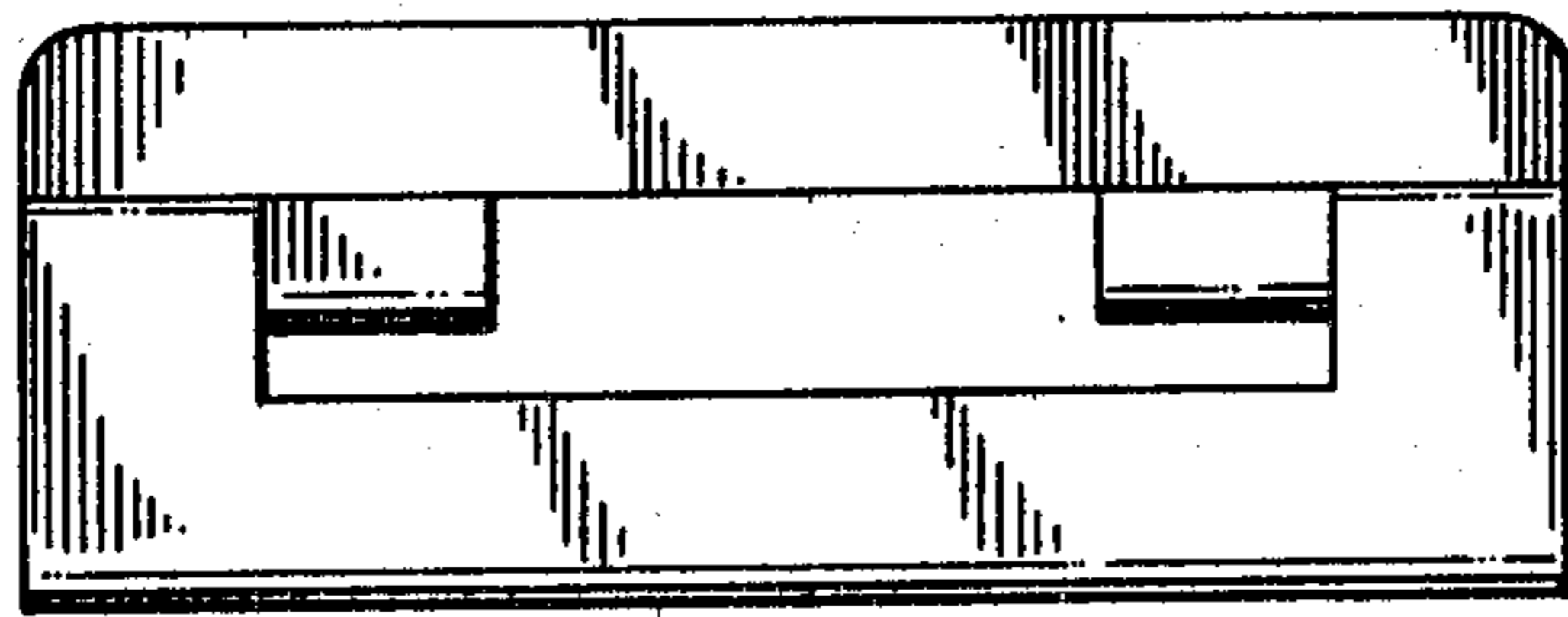


FIG. 6

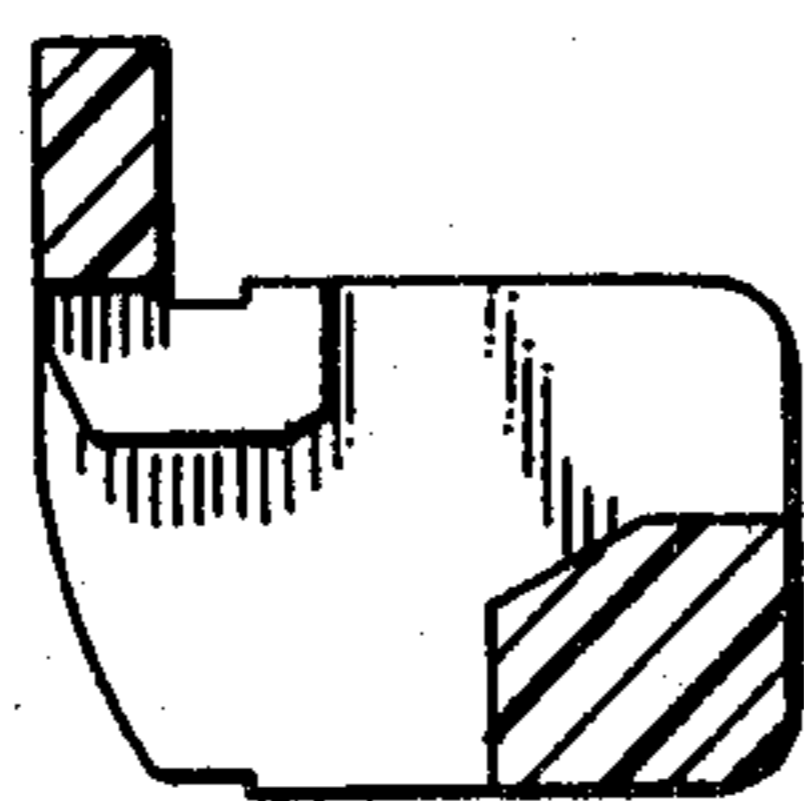


FIG. 7

