

[54] DISPLAY FIXTURE

[75] Inventor: Robert N. Shelton, Leominster, Mass.

[73] Assignee: Foster Grant Corporation, Leominster, Mass.

[\*\*] Term: 14 Years

[21] Appl. No.: 150,374

[22] Filed: May 15, 1980

[52] U.S. Cl. .... D6/483

[58] Field of Search ..... D6/85, 172, 174, 181, D6/186, 27, 25, 4, 20; D25/16; 108/108; 211/49 R, 49 S

[56] References Cited

U.S. PATENT DOCUMENTS

- D. 251,759 5/1979 Pohn et al. .... D6/20
- D. 259,681 6/1981 Bouwman ..... D6/85

OTHER PUBLICATIONS

*Display World*, May 1973, front cover, Identical Shelves on cover of magazine.

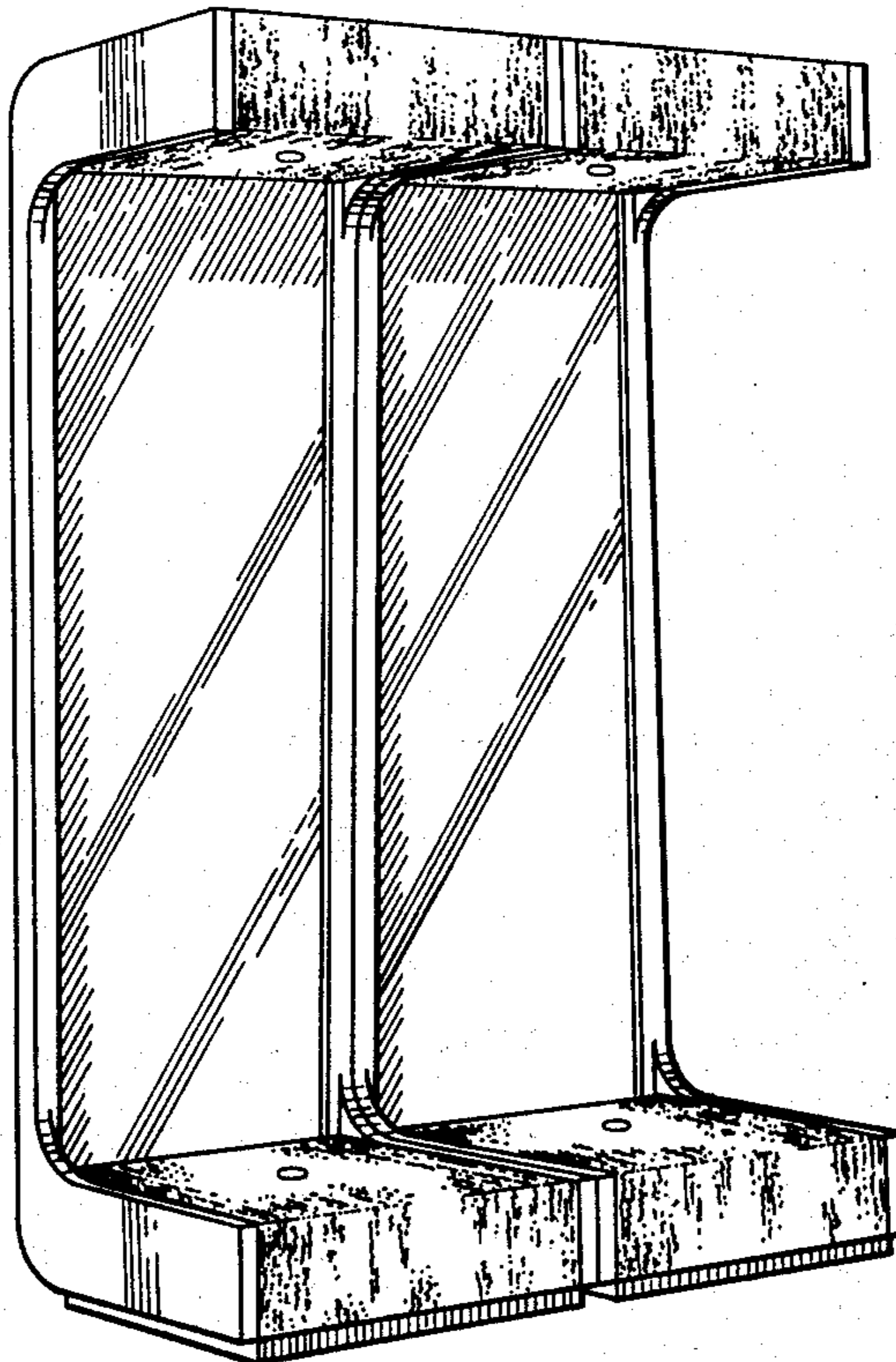
Primary Examiner—Joel Stearman  
Assistant Examiner—Carmen H. Vales  
Attorney, Agent, or Firm—Tatsuya Ikeda

[57] CLAIM

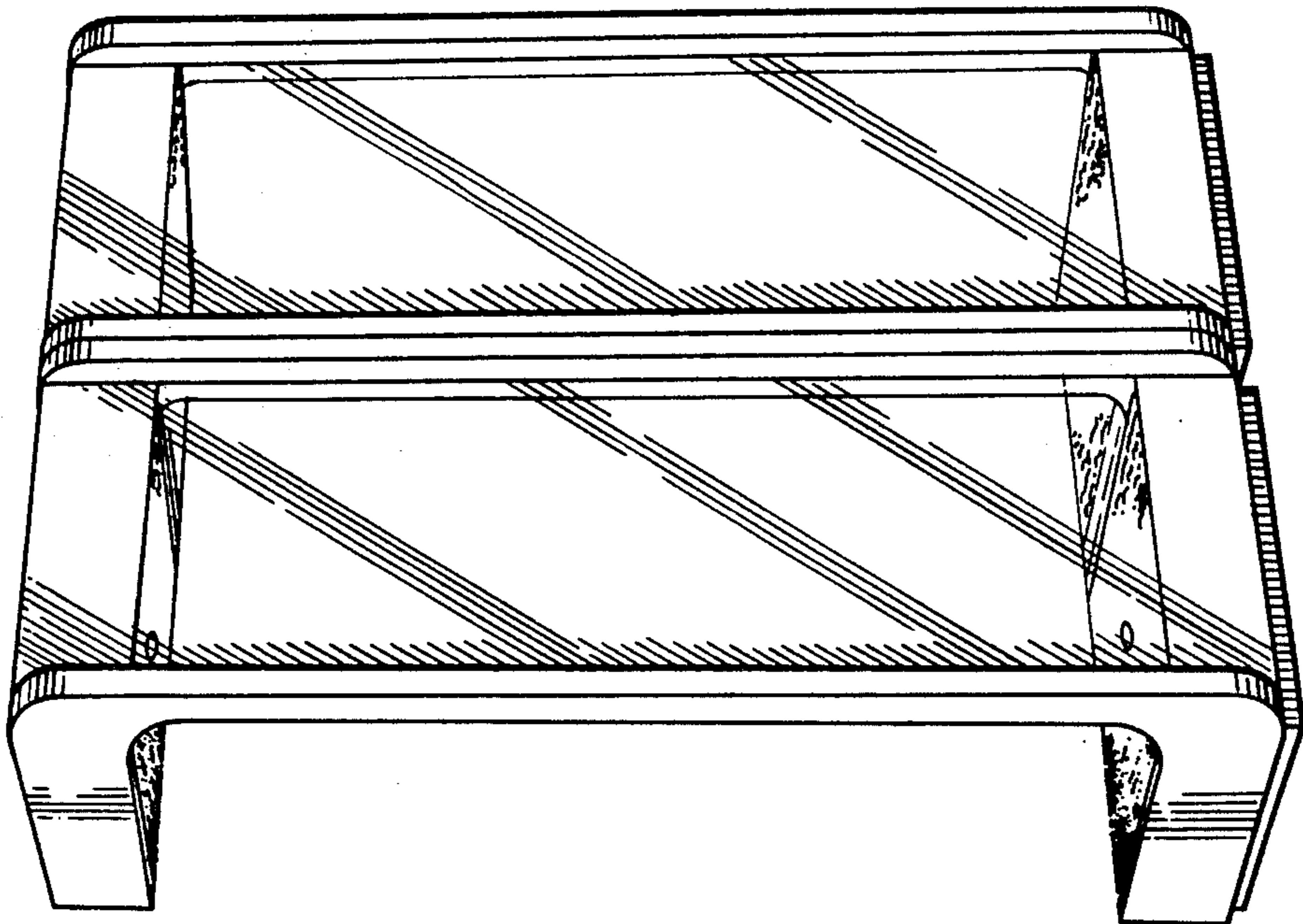
The ornamental design for a display fixture, substantially as shown and described.

DESCRIPTION

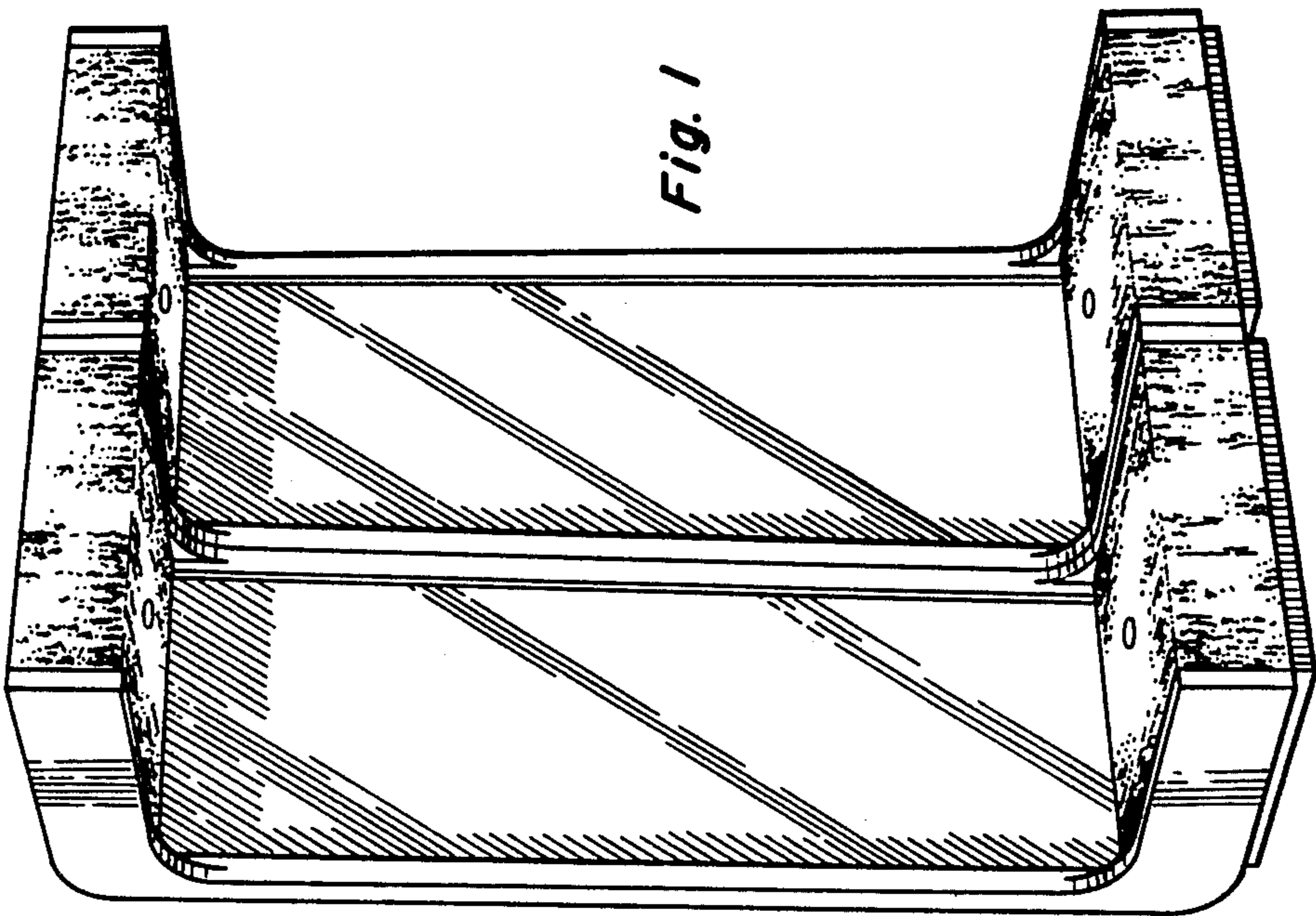
FIG. 1 is a front perspective view of a display fixture showing my new design;  
FIG. 2 is a rear perspective view thereof;  
FIG. 3 is a front elevational view thereof;  
FIG. 4 is a side elevational view thereof; and  
FIG. 5 is a top plan view thereof.

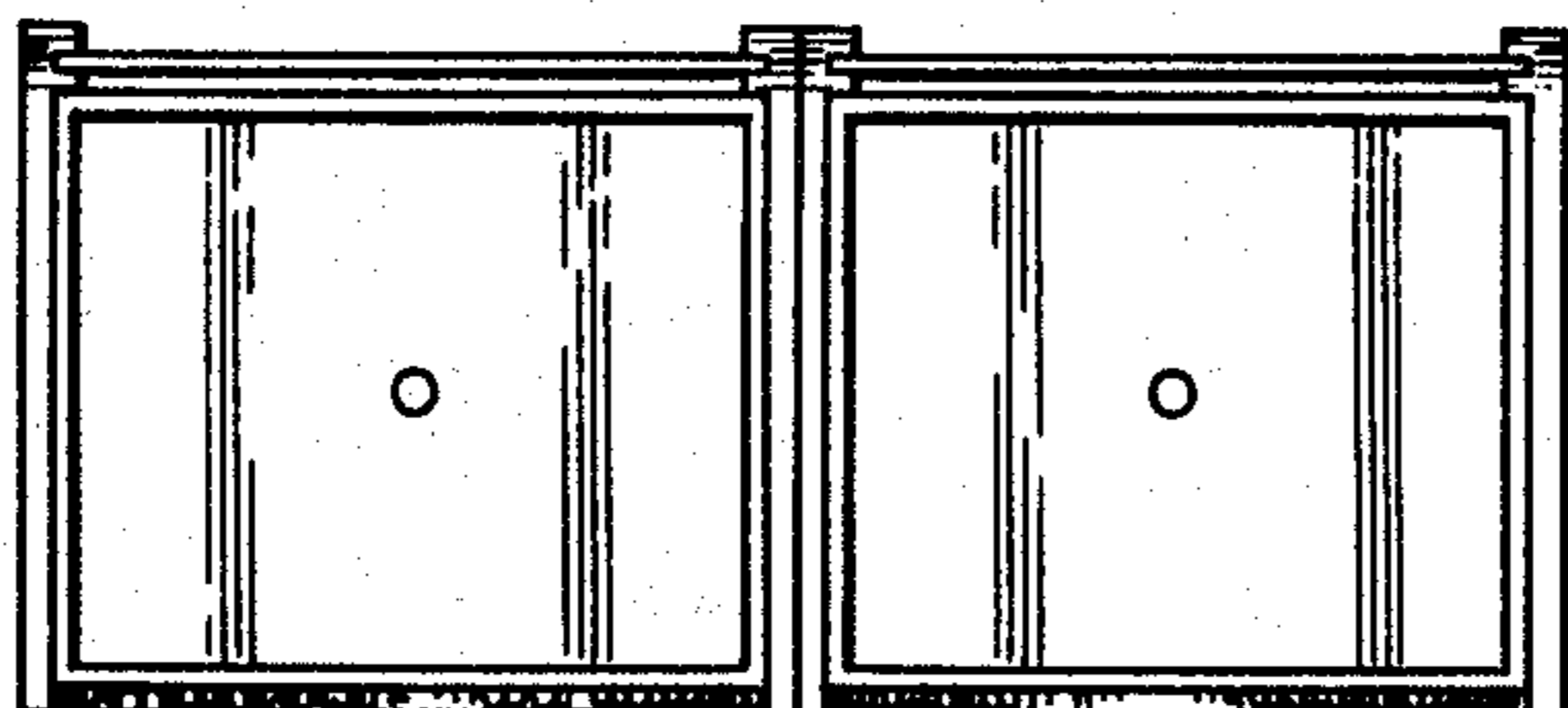


*Fig. 2*

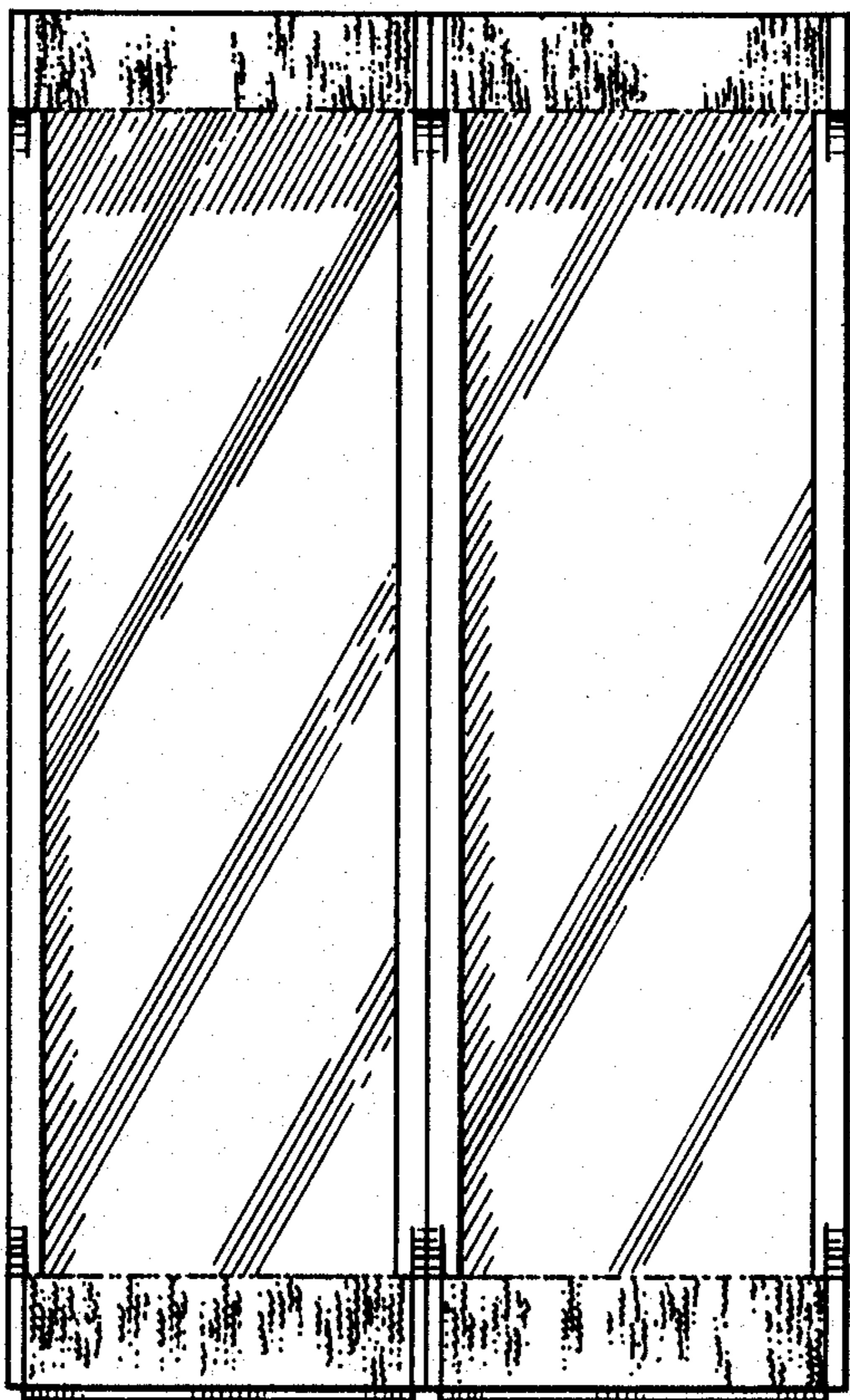


*Fig. 1*

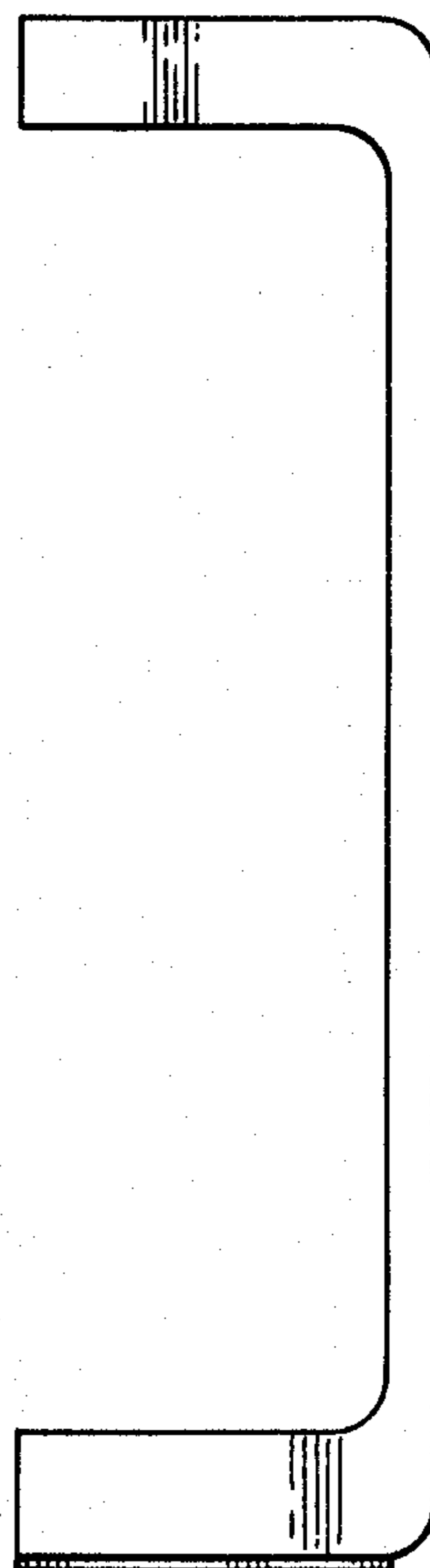




*Fig. 5*



*Fig. 3*



*Fig. 4*