

[54] CHAIR

3,361,472 1/1968 Hasbrouck D6/31 X

[76] Inventors: Robert Aronowitz, 40 E. 84th St., New York, N.Y. 10028; Bernard Katzanek, 100 Caton Ave., Brooklyn, N.Y. 11218

OTHER PUBLICATIONS

Industrial Design, Nov./Dec. 1977, p. 42, Chair bottom right by Burante.
Design Catalog, Sep. 1978, p. 96, Chair by Hopkins Green.

[**] Term: 14 Years

Primary Examiner—Bruce W. Dunkins

[21] Appl. No.: 342,576

[57] CLAIM

[22] Filed: Jan. 25, 1982

The ornamental design for a chair, as shown.

[52] U.S. Cl. D6/366

[58] Field of Search D6/26, 30, 31, 67

DESCRIPTION

[56] References Cited

FIG. 1 is a perspective view of the chair of the present invention;
FIG. 2 is a front view thereof;
FIG. 3 is a side view thereof; and
FIG. 4 is a rear view thereof.

U.S. PATENT DOCUMENTS

- D. 253,324 11/1979 Lopez D6/31 X
- D. 264,774 6/1982 McGirk et al. D6/48
- D. 270,020 8/1983 Drabert D6/31

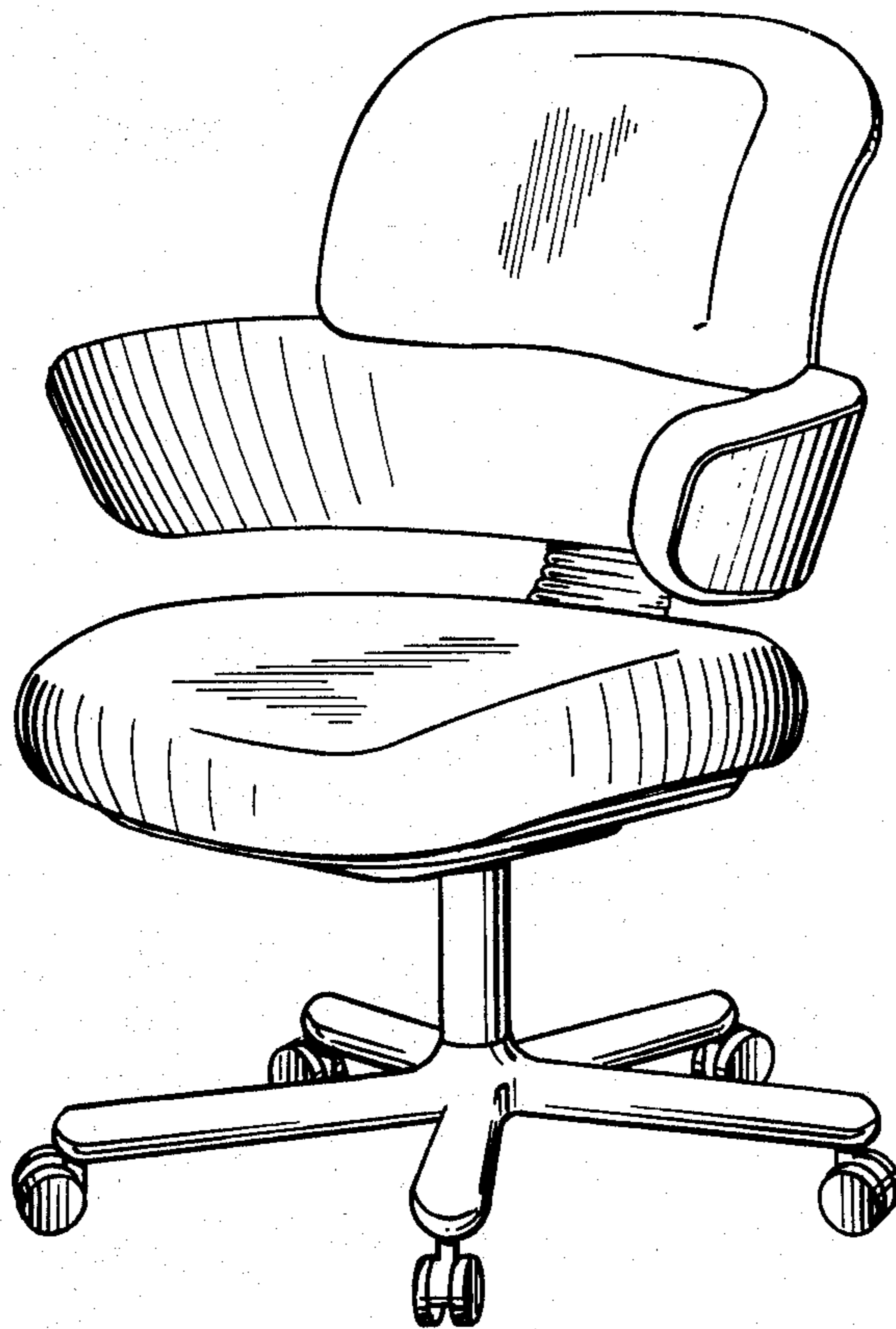


Fig. 2.

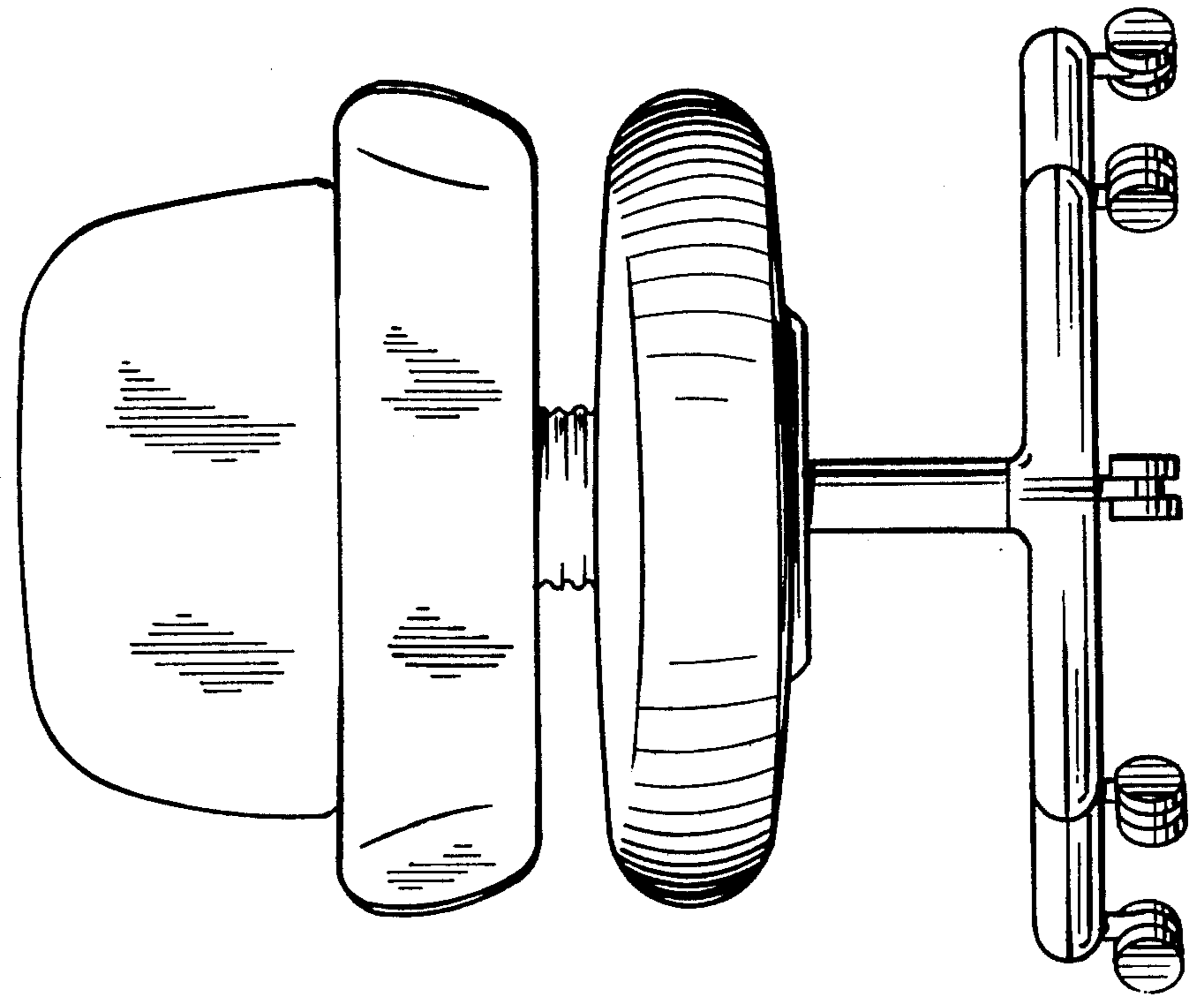


Fig. 1.

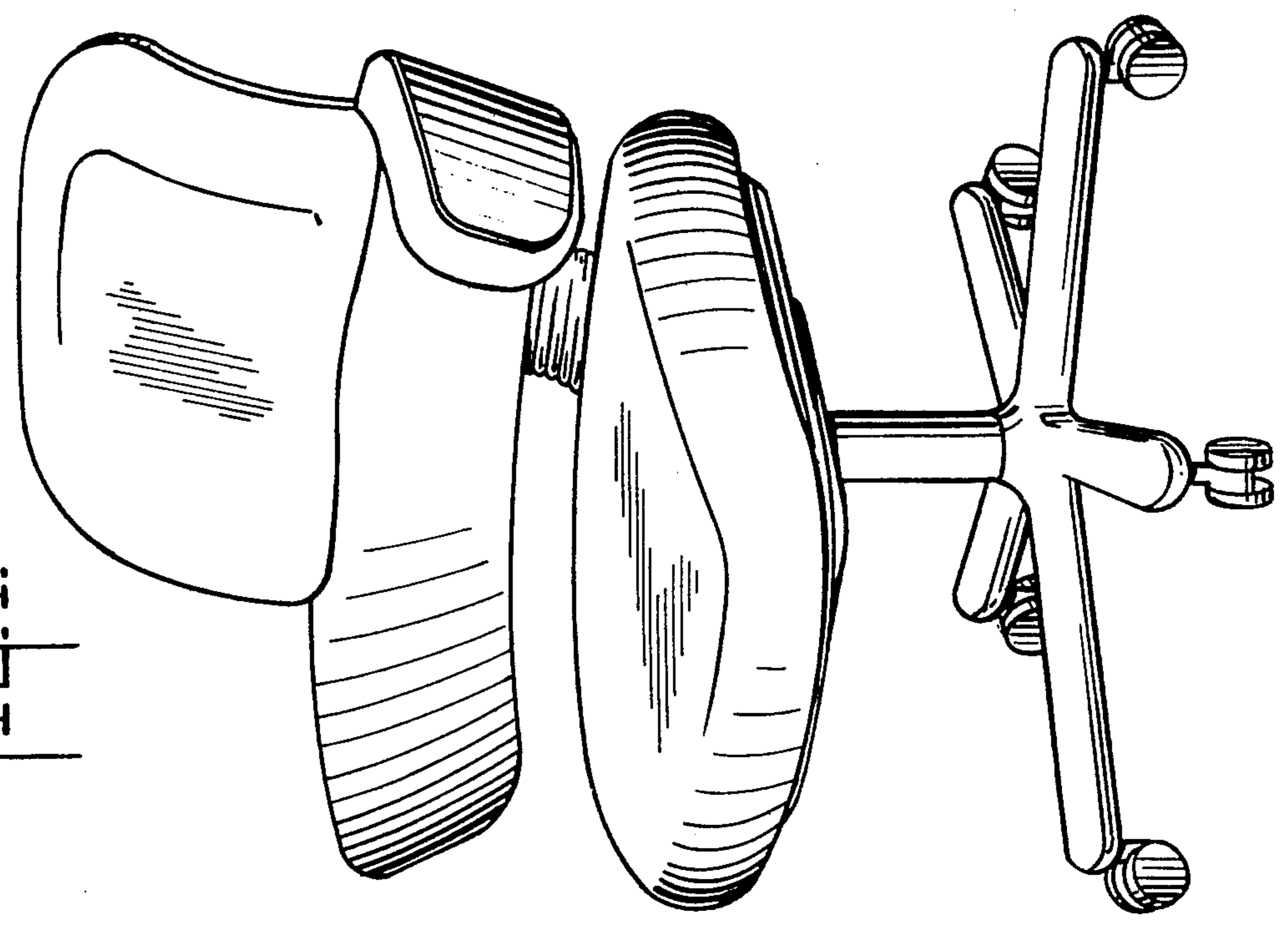


Fig. 4.

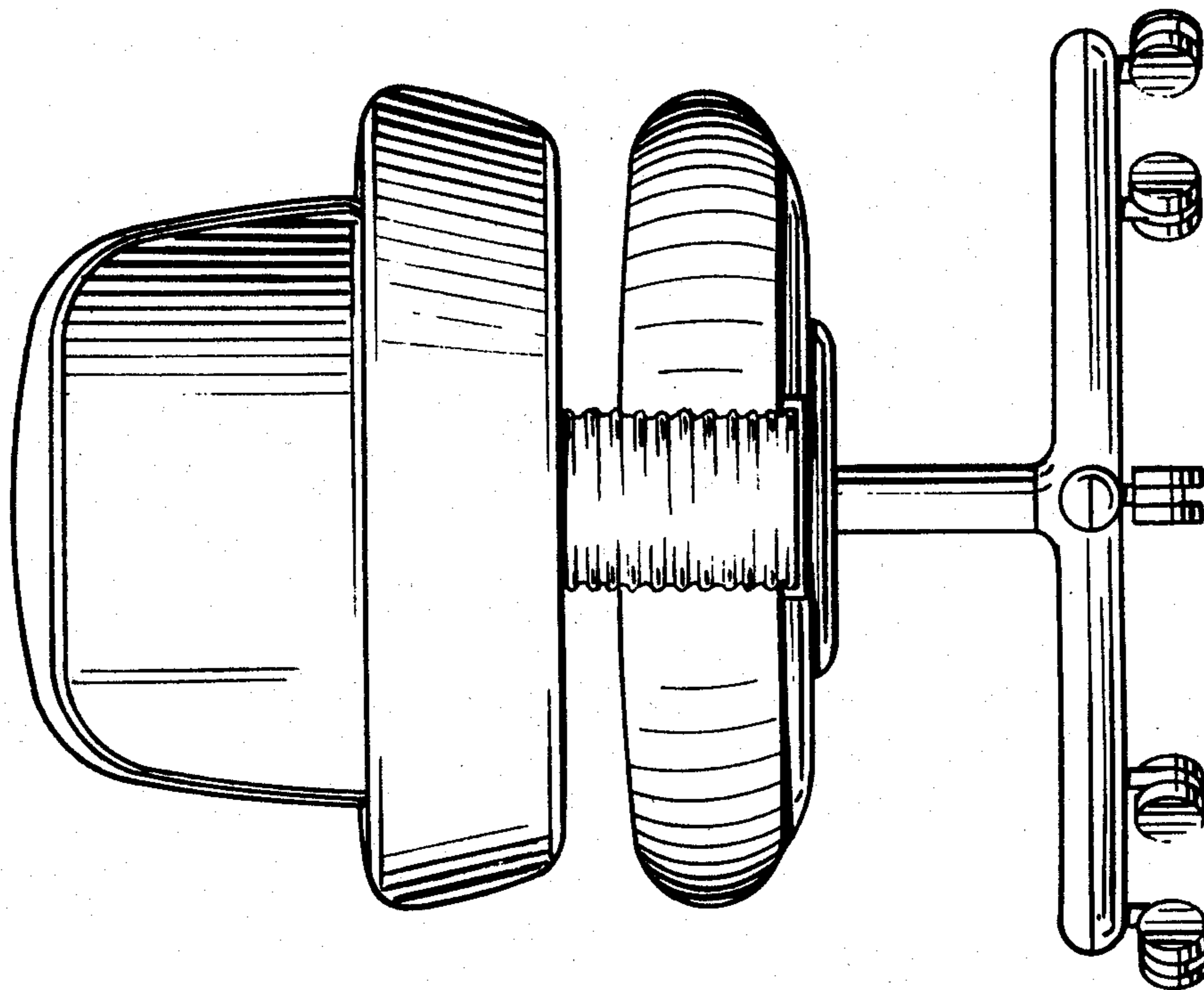


Fig. 3.

